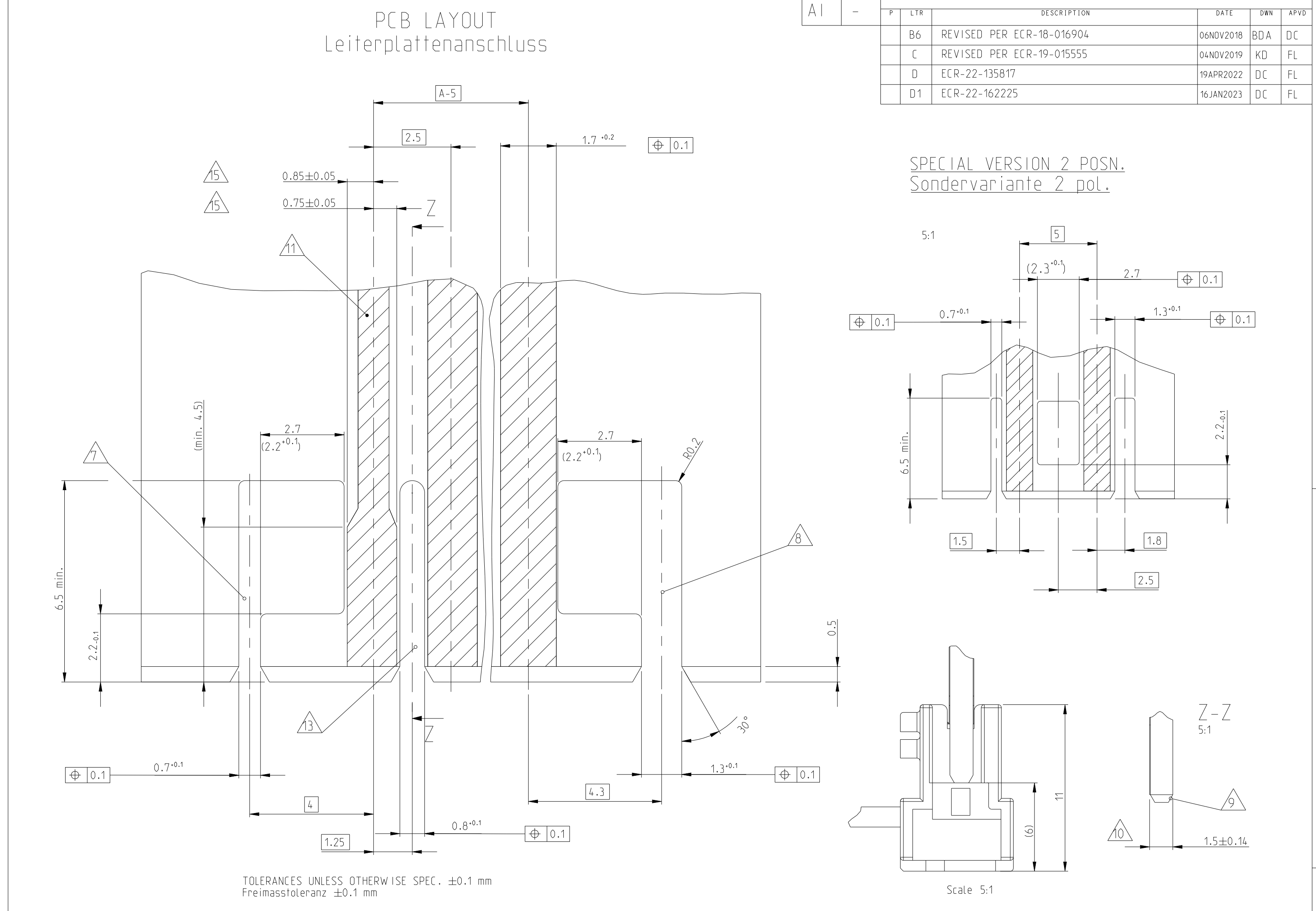
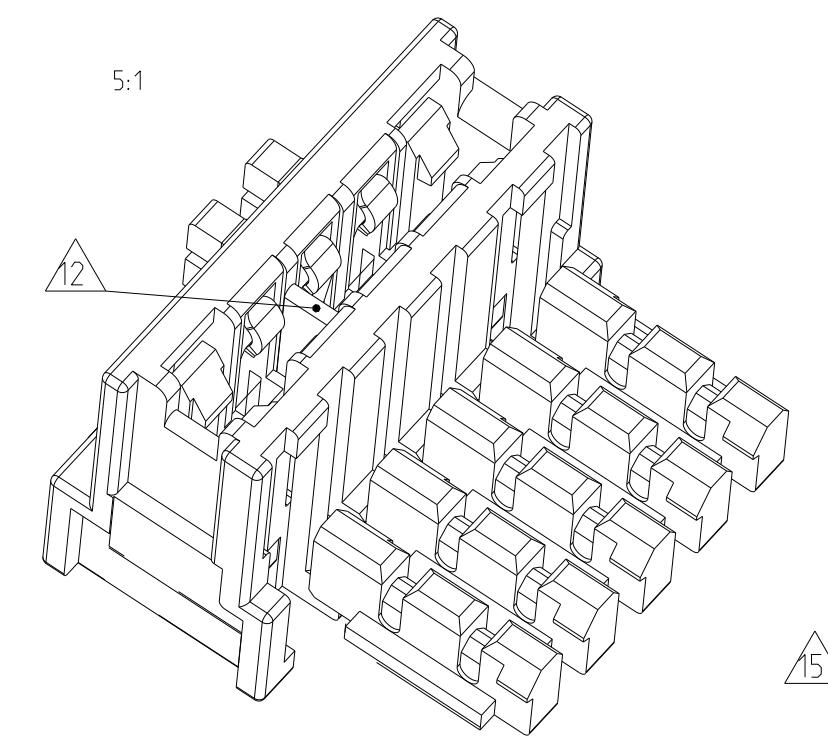
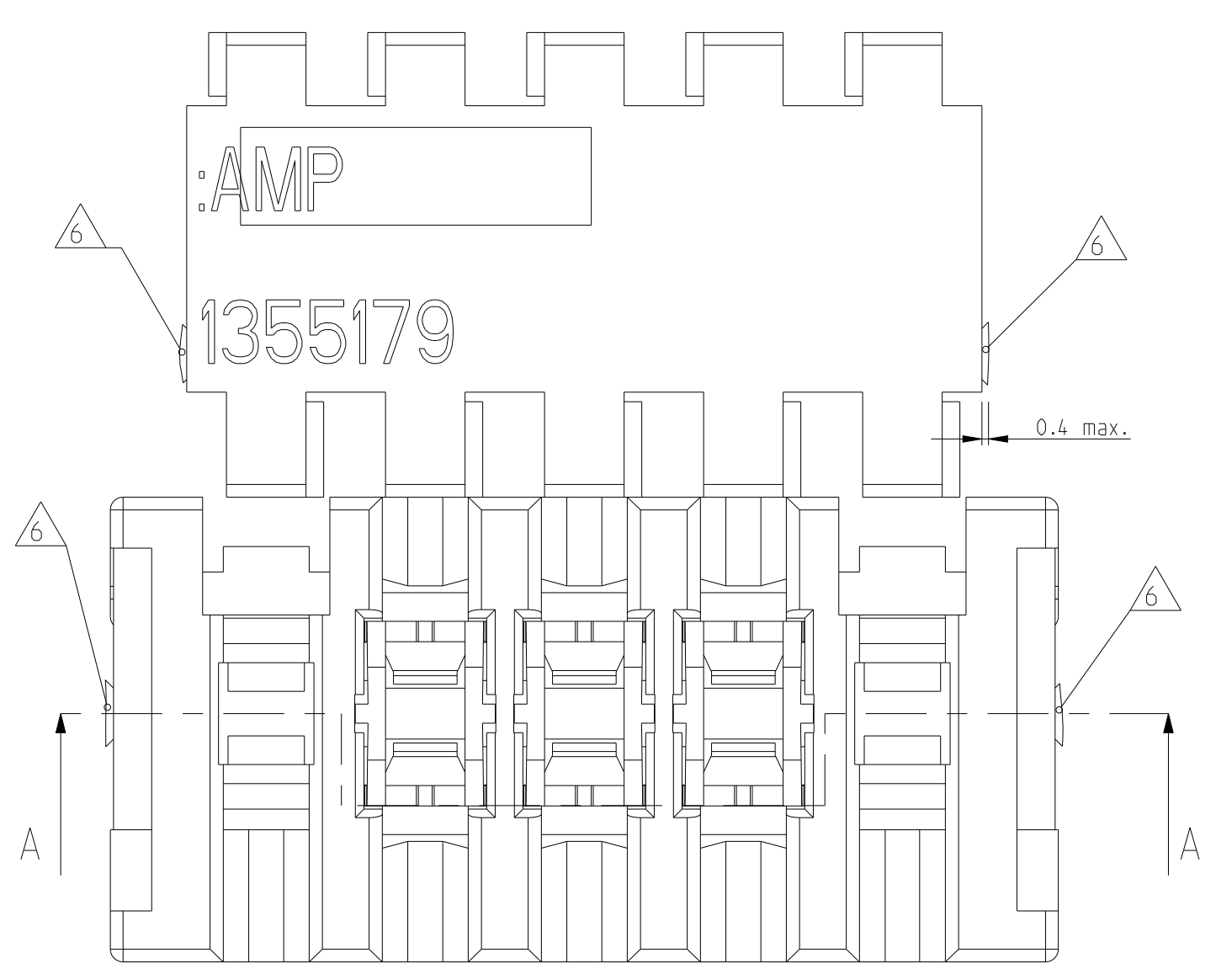
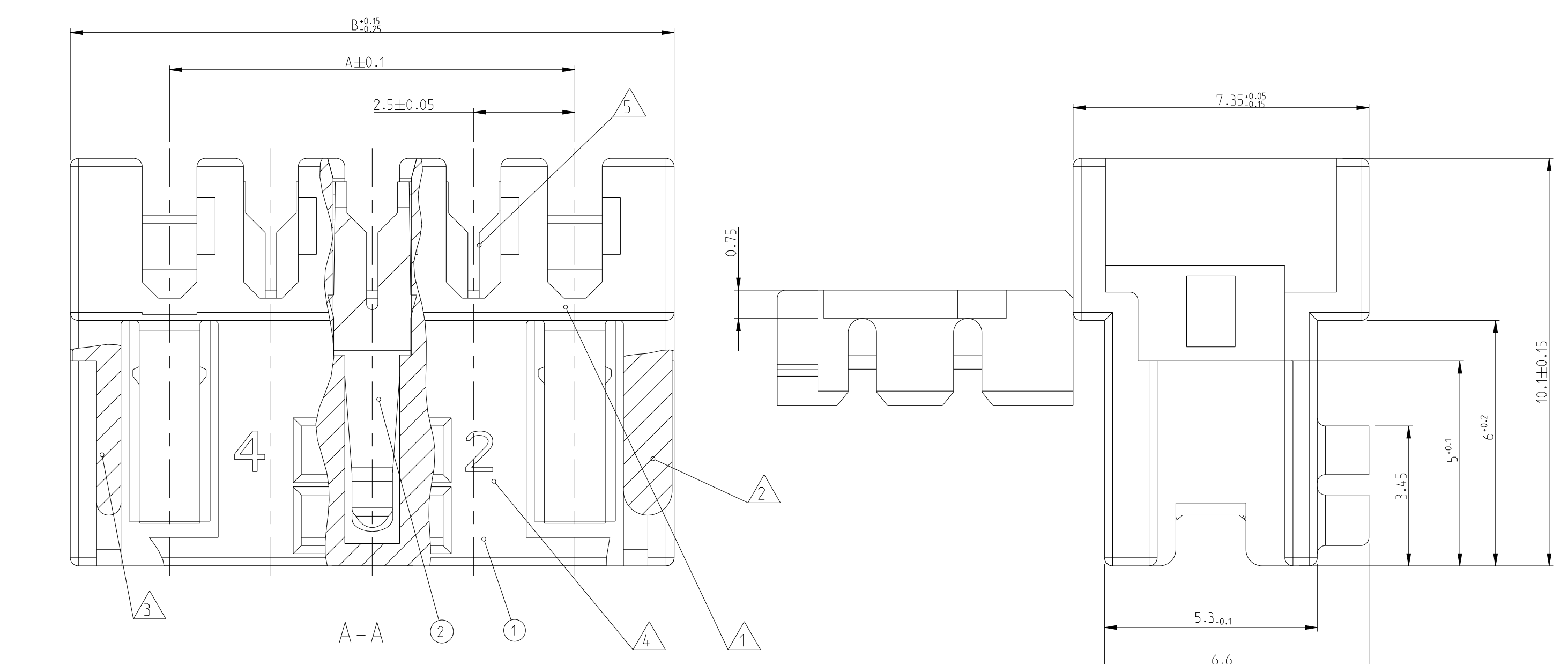


REVISONS		DATE	OWN	APVD
B6	REVISED PER ECR-18-016904	06NOV2018	BD A	DC
C	REVISED PER ECR-19-015555	04NOV2019	KD	FL
D	ECR-22-135817	19APR2022	DC	FL
D1	ECR-22-162225	16JAN2023	DC	FL



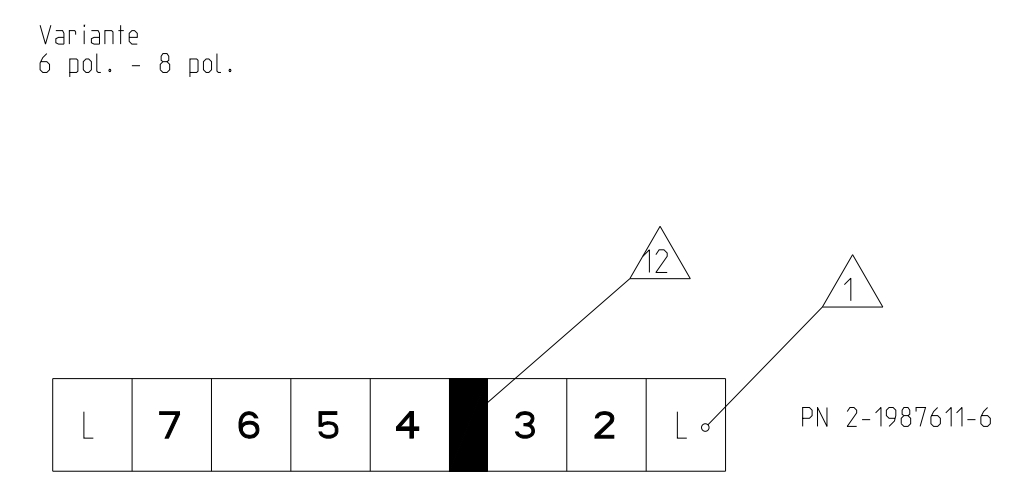
SPECIAL VERSION 2 POSN.
Sondervariante 2 pol.

- 15 DIMENSION OF THE PADS ON BOTH SIDES OF THE SLOT (NOTE 13). MIRRORED
Leiterbahnabmessung beidseitig vom Schlitz (Note 13), spiegelbildlich
- 14 DIMENSION IN BRACKET ONLY USED WITH AMP DUOPLUG 2.5 mm FEMALE CONNECTOR.
Masse in Klammer nur geeignet fuer AMP DUOPLUG 2.5 mm Federleisten.
- 13 SLOT FOR ADDITIONAL KEYING RIB
Schlitz fuer zusaetzliche Kodierrippe
- 12 ADDITIONAL KEYING RIB BETWEEN CAVITY NO.
Zusaetzliche Kodierrippe zwischen Kammer Nr.
- 11 REDUCTION OF PAD WIDTH OF ALL PADS AS SHOWN IS POSSIBLE.
Verjuengung aller Leiterbahnen wie dargestellt moeglich.
- 10 INCLUSIVE COPPER CLADDING:
Inclusive Kupferkaschierung:
- 9 PCB PREFERABLY CHAMFERED.
Leiterplatte vorzugsweise angefast.
- 8 SLOT FOR KEYING RIB.
Schlitz fuer Kodierrippe.
- 7 SLOT FOR POLARIZATION RIB.
Schlitz fuer Polarisierungsrippe.
- 6 CUTTING AREA FROM PRODUCING PROCESS.
Schnittbereich durch Herstellungsprozess.
- 5 SLOT ACCEPT STRANDED WIRE 7xø0.2mm=0.22mm².
SEE APPLICATION SPECIFICATION 114-18049.
Schlitz geeignet fuer Leitungen 7xø0.2mm=0.22mm².
Siehe Verarbeitungsanweisung 114-18049.
- 4 CAVITY NO.
Kammer Nr.
- 3 POLARIZATION RIB
Polarisierungsrippe
- 2 KEYING RIB
Kodierrippe
- 1 LOCKING LATCH BEFORE FIRST AND AFTER LAST CAVITY. BY TWO POSITION CONNECTOR AT CAVITY NO. 2.
Rasthaken vor erster und nach letzter Kammer. Bei dem 2 poligen Stecker bei Kammer Nr. 2.

- 19 PART RELEASED WITHOUT EXTENSIVE TERMINATION TESTS
- 18 PA GF, UL94-V0 & GWEP7 750 NO-FLAME, NATURAL
- 17 PBT GF
- 16 PRELIMINARY PART NOT RELEASED FOR PRODUCTION

LOCKING AND KEYING PLAN
Rasthaken und Kodierschema

SPECIAL VERSION 2 POSN.
Sondervariante 2 pol.



POS. Polzahl	DIM A Mass A	DIM B Mass B	KEYING Kodierung	NATURAL COLOR	GREY COLOR	PART-NO.	PART-NO.
18	47.5	52.4	-	-	-	-	-
17	45	49.9	-	-	-	-	-
16	42.5	47.4	-	-	-	-	-
15	40	44.9	-	-	-	-	-
14	37.5	42.4	-	-	-	-	-
13	35	39.9	-	-	-	-	-
12	32.5	37.4	-	-	-	-	-
11	30	34.9	-	-	-	-	-
10	27.5	32.4	-	-	-	-	-
9	25	29.9	-	-	-	-	-
8	22.5	27.4	-	-	-	-	-
7	20	24.9	-	-	-	-	-
6	17.5	22.4	3+4	3-	-	1987611-6	1-2311504-6
5	15	19.9	-	-	-	1987611-6	-
4	12.5	17.4	-	-	-	-	-
3	10	14.9	-	-	-	-	-
2	5	9.9	-	1-	-	1987611-2	2311504-2

SEE TABLE Siehe Tabelle	2	CONTACT/Kontakt	CuSn	TINNED/verzinnt	0 PLC ±0.2 1 PLC ±0.2 2 PLC ±0.2 3 PLC ±0.2 4 PLC ±0.2
PN Bestell-Nr.	POS.	NAME	MATERIAL	FINISH/Oberflaeche COLOR/Farbe	114-18049-1
THIS DRAWING IS A CONTROLLED DOCUMENT.					OWN: Karabiyik CHK: OSSEP2008 APVD: Schnaubelt FILED: OSSEP2008
DIMENSIONS: mm					TOLERANCES UNLESS OTHERWISE SPECIFIED: *°
MATERIAL: SEE TABLE					FINISH: SEE TABLE
CUSTOMER DRAWING					SCALE: 10:1 SHEET 1 OF 2 REV: 01

8

7

6

5

4

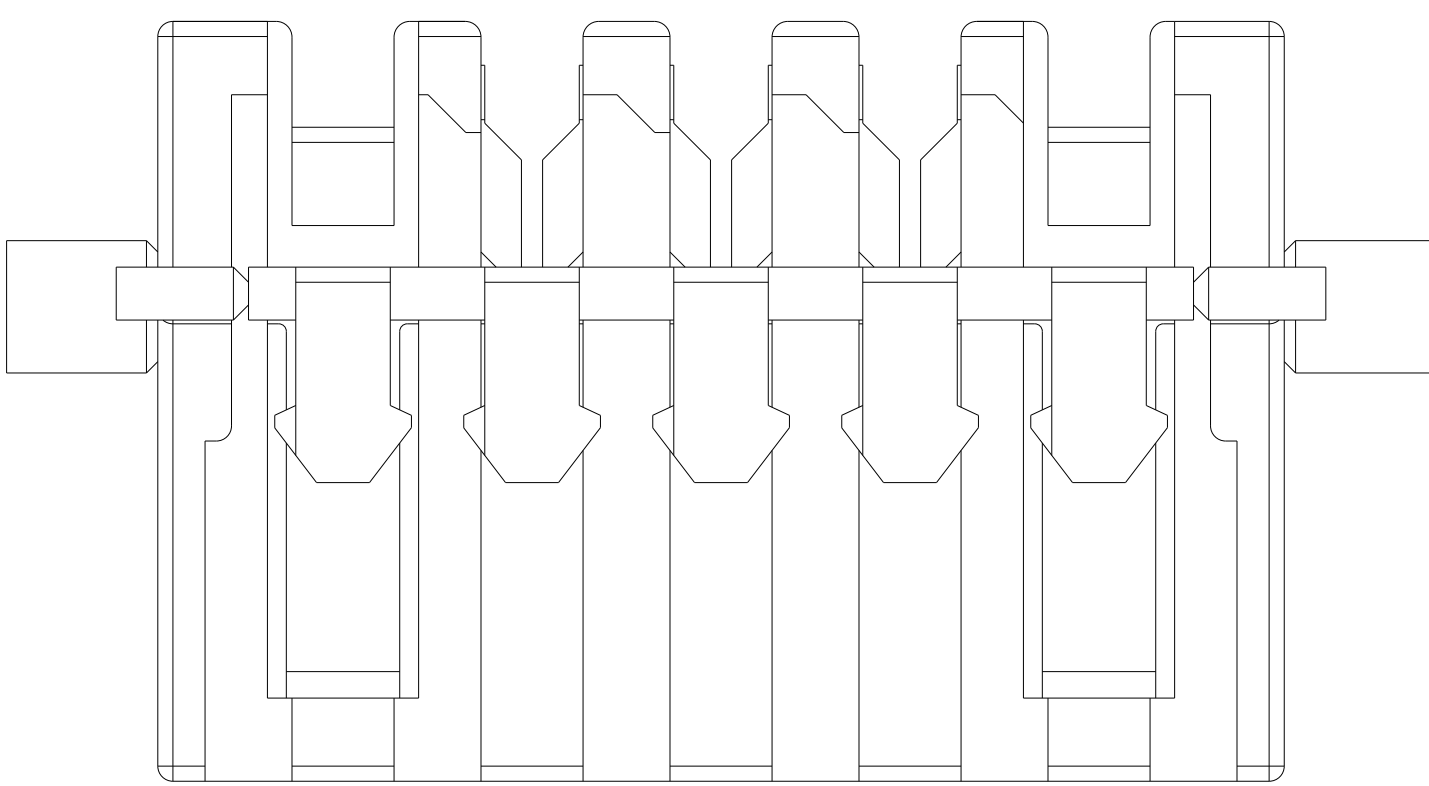
3


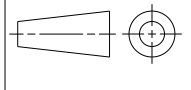
2

1

THIS DRAWING IS UNPUBLISHED. RELEASED FOR PUBLICATION 2008
 © COPYRIGHT 2008 ALL RIGHTS RESERVED.

LOC	DIST	REVISIONS					
		P	LTN	DESCRIPTION	DATE	DWN	APVD
A1	-			SEE SHEET 1			



THIS DRAWING IS A CONTROLLED DOCUMENT.		DWN Karabiyik	05SEP2008	 TE Connectivity
		CHK Schnaubelt	05SEP2008	
DIMENSIONS:		TOLERANCES UNLESS OTHERWISE SPECIFIED:		NAME
mm				AMP DUOPLUG 2.5 mit PCB Verr. DGB I
	0 PLC	±0.2	FILEDIN	RESTRICTED TO
	1 PLC	±0.2	APVD	
	2 PLC	±0.2	PRODUCT SPEC	
	3 PLC	±0.2	108-18056	
	4 PLC	±0.2	APPLICATION SPEC	
	ANGLES	±0.2	116-18049-1	SIZE CAGE CODE DRAWING NO
	FINISH	±0.2°	WEIGHT	A1 00779 ©=1987611
MATERIAL SEE TABLE			CUSTOMER DRAWING	SCALE 10:1 SHEET 2 OF 2 REV 01