

THIS DRAWING IS UNPUBLISHED.  
VERTRÄULICHE UNVERÖFFENTLICHTE ZEICHNUNG

RELEASED FOR PUBLICATION  
FREI FUER VERÖFFENTLICHUNG ,1998

MATED WITH:  
PASSEND ZU:  
ZL1

LOC AI  
DIST -

REVISIONS  
ÄNDERUNGEN

© COPYRIGHT 1998

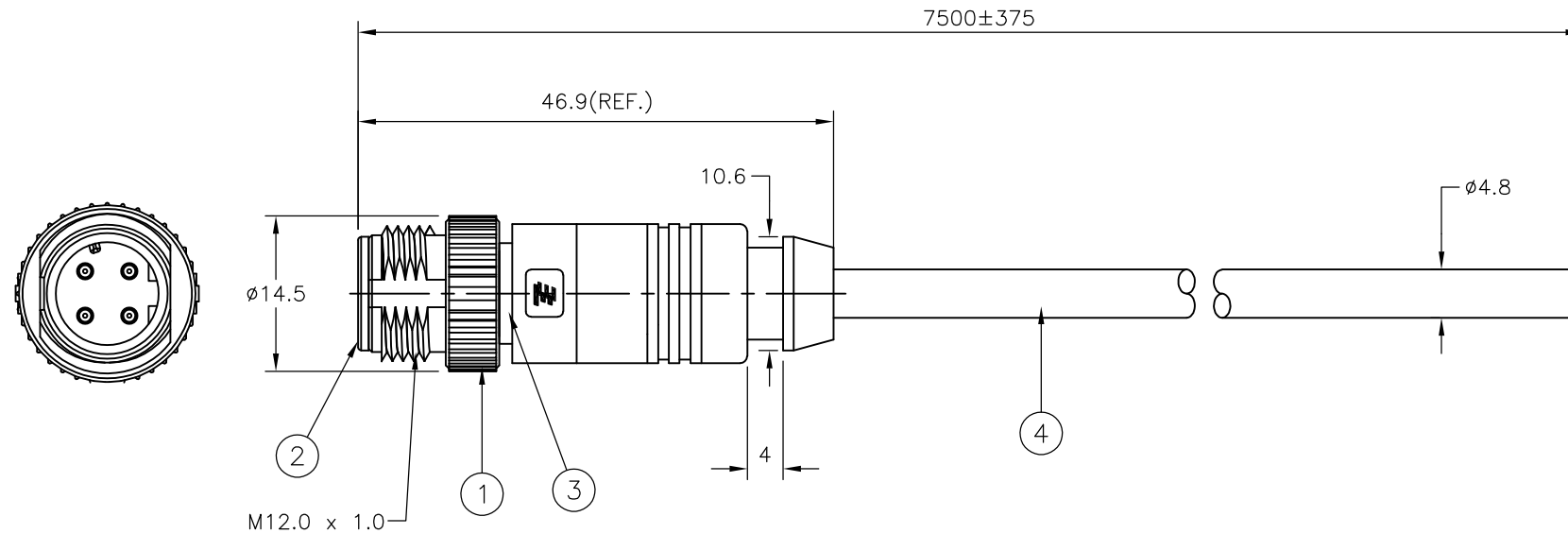
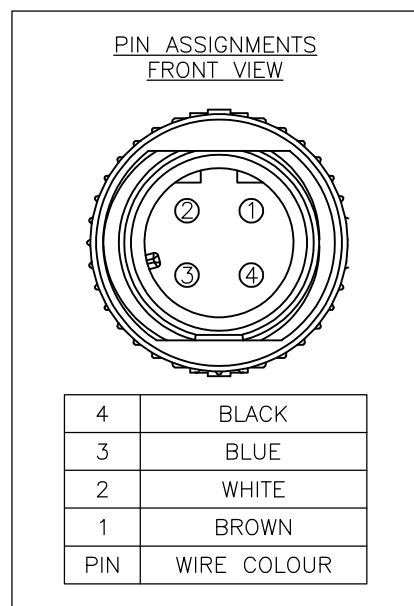
BY TE INCORPORATED. ALL RIGHTS RESERVED.  
ALLE RECHTE VORBEHALTEN

P	LTR	DESCRIPTION BESCHREIBUNG	DATE	DWN	APVD
	A2	ECR-10-004359	09.03.10	GW	ST
	A3	ECR-10-014931	08.08.10	RK	GL

NOTES:

- ELECTRICAL DATA: CONTACT RESISTANCE: 10 mOhm MAX  
INSULATION RESISTANCE: 100 MOhm MIN at 500VDC  
CURRENT RATING: 5 AMPS  
BREAKDOWN VOLTAGE: 500 VAC MIN PER MINUTE
- ENVIRONMENTAL: OPERATING TEMPERATURE CONNECTOR: -25°C TO +90°C  
OPERATING TEMPERATURE CABLE: -40°C TO +150°C  
SEALING REQUIREMENTS: IP67
- PROD SPEC: 108-3641
- PACKAGING: 107-3334
- FOR TECHNICAL DATA REFER TO YOUR LOCAL TYCO ELECTRONICS SALES OFFICE
- ALL DIMENSIONS ARE NOMINAL FOR REFERENCE ONLY UNLESS OTHERWISE STATED

ITEM	DESCRIPTION	MATERIAL	FINISH/COLOUR	QTY
1	SCREW NUT	ZINC DIE CAST	2.5µm NICKEL PLATED	1
2	CONNECTOR BODY	POLYURETHANE	YELLOW	1
3	PIN CONTACT	BRASS	0.15µm GOLD PLATED OVER NICKEL	4
4	4 CORE CABLE (20AWG)	XLPE JACKET HAL FREEE	RED	1



M12 STRAIGHT MALE CONNECTOR 7.5m CABLE	1991119-1
DESCRIPTION	PART NUMBER

<p>THIS DRAWING IS A CONTROLLED DOCUMENT FOR TE INCORPORATED. IT IS SUBJECT TO CHANGE AND THE CONTROLLING ENGINEERING ORGANIZATION SHOULD BE CONTACTED FOR THE LATEST REVISION. DIESES ZEICHNUNGSDOKUMENT WIRD DURCH TE INCORPORATED KONTROLLIERT. ÄNDERUNGEN, DIE DEM TECHNISCHEN FORTSCHRITT DIENEN, SIND VORBEHALTEN. DEN JEWEILS LETZTIGUELIGEN ÄNDERUNGSSTAND ERFAHREN SIE AUF ANFRAGE.</p>		DWN G.WROBLEWSKI 16.05.08	<p>Tyco Electronics AMP GmbH D-53757, Sankt-Augustin, Germany</p>	NAME				
<p>DIMENSIONS: DIMENSIONEN: mm</p>		CHK T.SCHNURPFEIL 16.05.08		M12-STRAIGHT-MALE-CONNECTOR				
<p>TOLERANCES UNLESS OTHERWISE SPECIFIED:</p> <p>0 PLC # 1 PLC # 2 PLC # 3 PLC #</p> <p>ANGLES /WINKEL #</p>		APVD T.SCHNURPFEIL 16.05.08		4-POSITION, D-CODE, XL-PE-CABLE				
<p>MATERIAL</p>		PRODUCT SPEC PRODUKTSPEZ. -		SIZE A3	CAGE CODE 00779	DRAWING NO ZEICHNUNGS-NR. 1991119	RESTRICTED TO NUR FUER -	
<p>FINISH / OBERFLÄCHE / FARBE</p>		APPLICATION SPEC VERARBEITUNGSSPEZ. -	WEIGHT GEWICHT -	SCALE MASSSTAB NS		SHEET BLATT 1 VON 1	OF 1	REV. A3
CUSTOMER DRAWING			/KUNDENZEICHNUNG					