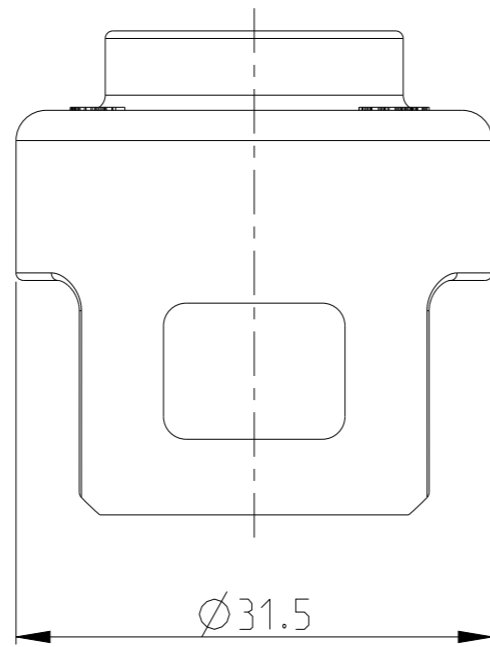
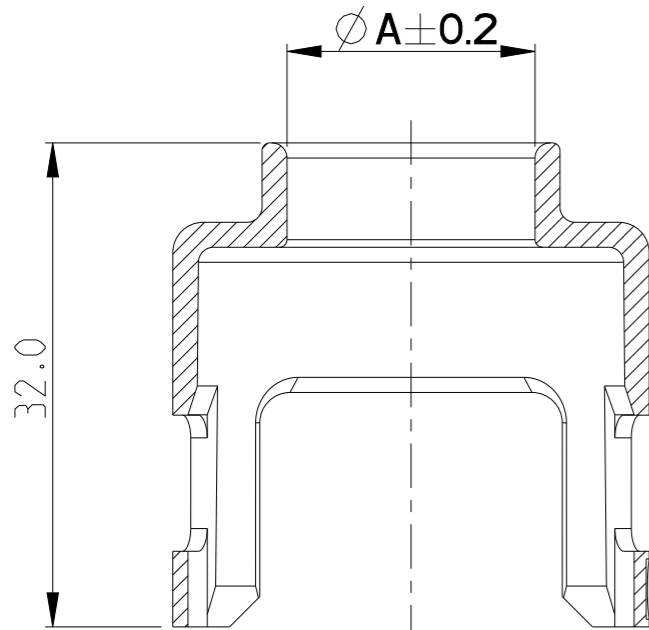


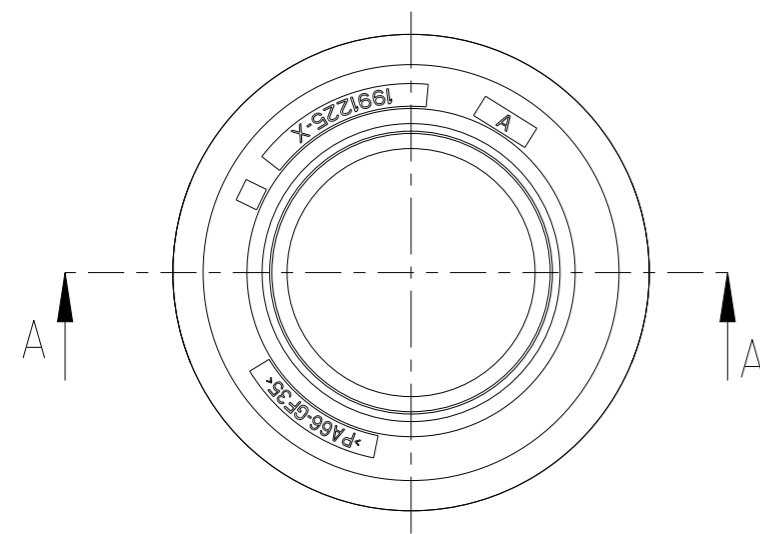
REVISIONS

P	LTR	DESCRIPTION	DATE	DWN	APVD
A3	0-	-X PARTS OBSOLETE	06NOV2013	VA	FKA
A4	0-	1991225-1 - REACTIVATED	19APR2017	TSV	FKA
A5		Position of production hours changed	05NOV2020	DR	KPY
A6	PN-1-	1991225-8 ADDED	30JUL2024	GV	RP



3D VIEWS  
1:1

1 SUPPLIED FORM: LOOSE PIECE PACKED INTO CARTON  
Lieferform: Schuettgut in Karton verpackt



1- -7 AS SHOWN

TE-PN	FOR WIRE DIAMETER [mm]	DIM. A	MATERIAL	COLOUR	VOL. [cm <sup>3</sup> ]
1-1991225-8	17.3-0.3	18.2	PA66-GF35	ORANGE Orange SIMILAR RAL 2003	3.6
1-1991225-7	15.8-0.6	16.4			
1-1991225-6	14.4-0.6	15.0			
1-1991225-5	12.2-0.6	12.8			
1-1991225-4	10.2-0.6	10.8			
1-1991225-3	10.8±0.5	11.9			
1-1991225-2	14.9±0.3 / 14.5±0.3	15.6			
1-1991225-1	12.7±0.3	13.8			
<del>OBSOLETE 0-1991225-7</del>	<del>15.8-0.6</del>	<del>16.4</del>	PA66-GF35	BLACK Schwarz SIMILAR RAL 2003	3.6
<del>OBSOLETE 0-1991225-6</del>	<del>14.4-0.6</del>	<del>15.0</del>			
<del>OBSOLETE 0-1991225-5</del>	<del>12.2-0.6</del>	<del>12.8</del>			
<del>OBSOLETE 0-1991225-4</del>	<del>10.2-0.6</del>	<del>10.8</del>			
<del>OBSOLETE 0-1991225-3</del>	<del>10.8±0.5</del>	<del>11.9</del>			
<del>OBSOLETE 0-1991225-2</del>	<del>14.9±0.3 / 14.5±0.3</del>	<del>15.6</del>			

THIS DRAWING IS A CONTROLLED DOCUMENT. DIMENSIONING AND TOLERANCING PER GPS (ISO STANDARDS).

DIMENSIONS: mm

TOLERANCES UNLESS OTHERWISE SPECIFIED: ±0.5

FINISH: SEE TABLE finish\_spec\_2

MATERIAL: SEE TABLE material\_2

TOLERANCING ISO 8015  
TOLERIERUNG ISO 8015

TOLERANCES UNLESS OTHERWISE SPECIFIED ACC. TO DIN 16901-140 CENTRIC TO NOMINAL DIMENSION. EDITION 1982-11 SHALL APPLY.  
Freimasstoleranzen nach DIN 16901-140. Es gilt die Ausgabe 1982-11.

DWN: S.Avdovic 190KT2010  
CHK: U.Hoepfner 190KT2010  
APVD: F.Kahny 190KT2010

PRODUCT SPEC: -  
APPLICATION SPEC: -  
WEIGHT: SEE TABLE A3

NAME: PROTECTIVE COVER  
Schutzkappe

SIZE: A3  
CAGE CODE: -  
DRAWING NO: ©=1991225

RESTRICTED TO: -

SCALE: 2:1  
SHEET: 1 OF 1  
REV: A6

CUSTOMER DRAWING

TE Connectivity