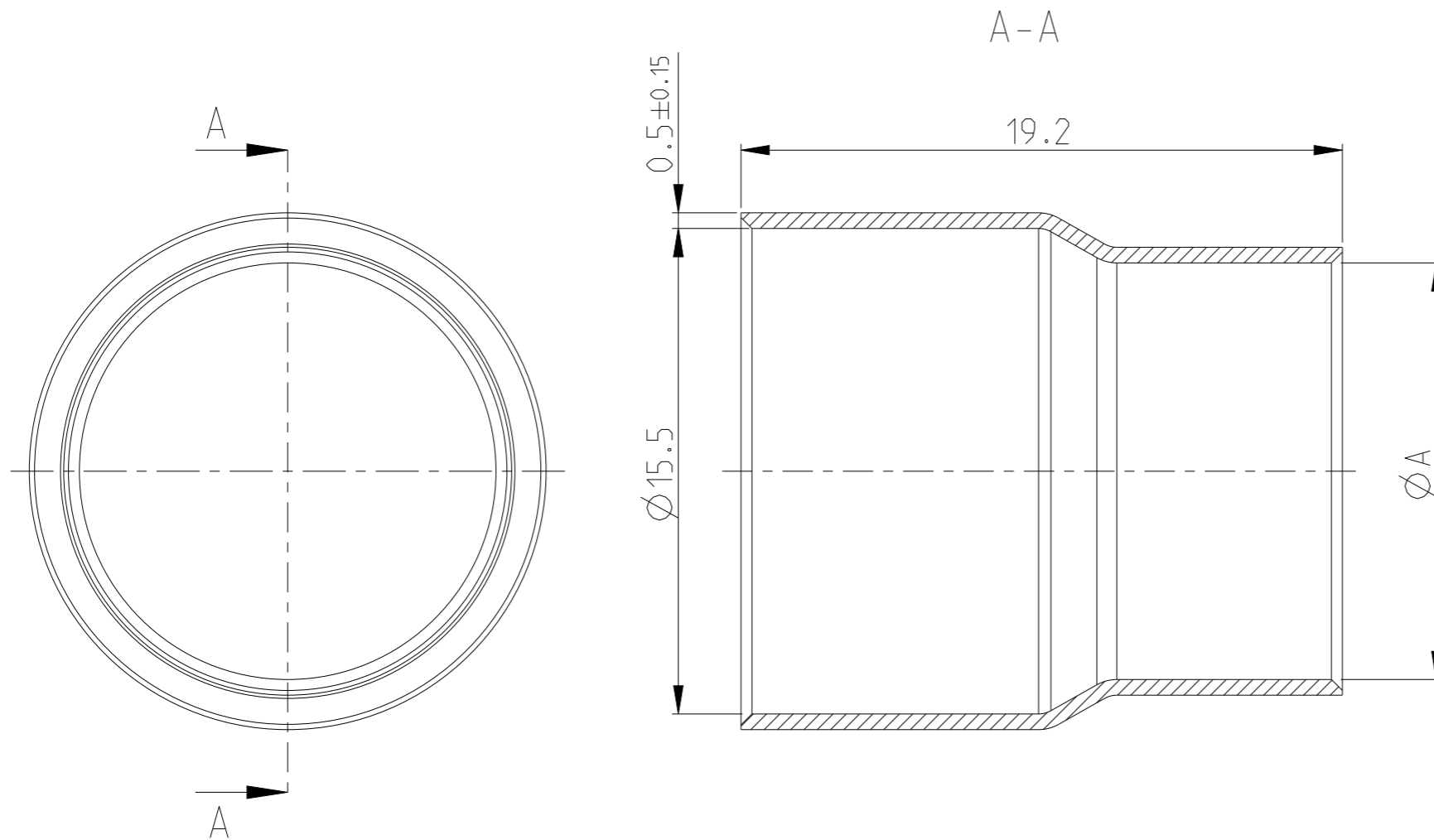


P	LTR	DESCRIPTION	DATE	DWN	APVD
B1		CHANGED DIMENSION / PART OBSOLETE	21MAR2012	GTO	FKA
B2		DISCONTINUED	05OCT2021	JJH	RP
B3		REACTIVATED 1991231-1 AND -2	09NOV2021	JJH	RP



1. PACKING: LOOSE PIECES INTO CARTON.

0-1991231-6	EMC CRIMP SLEEVE, IPT	15.1	Ø14.5±0.3	STAINLESS STEEL	BLANK
0-1991231-5	EMC CRIMP SLEEVE, IPT	10.4	Ø9.8±0.3	STAINLESS STEEL	BLANK
0-1991231-4	EMC CRIMP SLEEVE, IPT	11.6	Ø11.2±0.3	STAINLESS STEEL	BLANK
0-1991231-3	EMC CRIMP SLEEVE, IPT	11.8	Ø10.8±0.5	STAINLESS STEEL	BLANK
0-1991231-2	EMC CRIMP SLEEVE, IPT	15.5	Ø14.7±0.5	STAINLESS STEEL	BLANK
0-1991231-1	EMC CRIMP SLEEVE, IPT	13.3	Ø12.7±0.3	STAINLESS STEEL	BLANK
TE ORDER-NO.	DESCRIPTION	DIMENSION ØA	FOR CABLE DIAMETER [mm]	MATERIAL	SURFACE COLOUR

**OBSOLETE**

B3

THIS DRAWING IS A CONTROLLED DOCUMENT. DIMENSIONING AND TOLERANCING PER GPS (ISO STANDARDS).		DWN S. GURURAJ 04FEB2009												
DIMENSIONS: mm		CHK M. HARRIS 04FEB2009												
TOLERANCES UNLESS OTHERWISE SPECIFIED:		APVD J. MARSH 04FEB2009												
<table border="1"> <tr> <td>0 PLC</td> <td>±0.3</td> </tr> <tr> <td>1 PLC</td> <td>±0.3</td> </tr> <tr> <td>2 PLC</td> <td>±0.3</td> </tr> <tr> <td>3 PLC</td> <td>±0.3</td> </tr> <tr> <td>4 PLC</td> <td>±0.3</td> </tr> <tr> <td>ANGLES</td> <td>±1°</td> </tr> </table>		0 PLC				±0.3	1 PLC	±0.3	2 PLC	±0.3	3 PLC	±0.3	4 PLC	±0.3
0 PLC	±0.3													
1 PLC	±0.3													
2 PLC	±0.3													
3 PLC	±0.3													
4 PLC	±0.3													
ANGLES	±1°													
MATERIAL SEE TABLE		FINISH SEE TABLE	NAME EMC CRIMP SLEEVE, IPT 16-50 mmsq. FOR CABLE DIA 10.8mm-14.9mm											
-		WEIGHT -	SIZE A3	CAGE CODE 00779	DRAWING NO ©-1991231									
-		CUSTOMER DRAWING	SCALE 5:1	SHEET 1 OF 1	RESTRICTED TO -									