

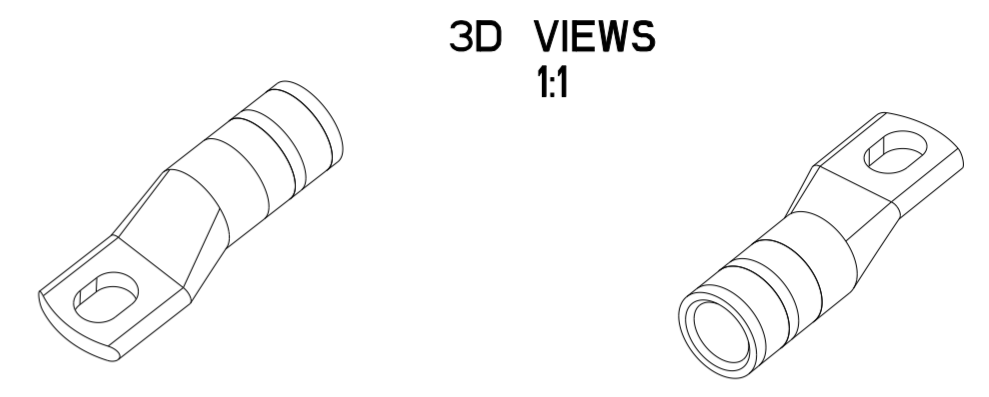
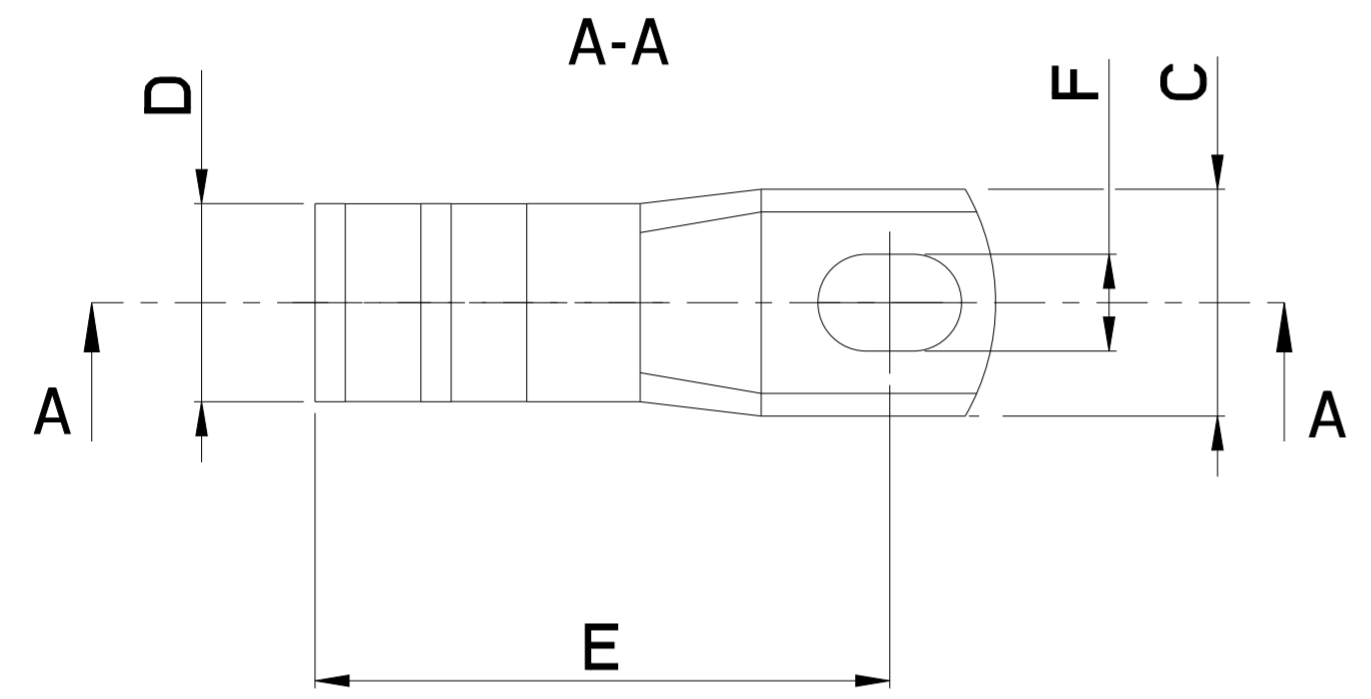
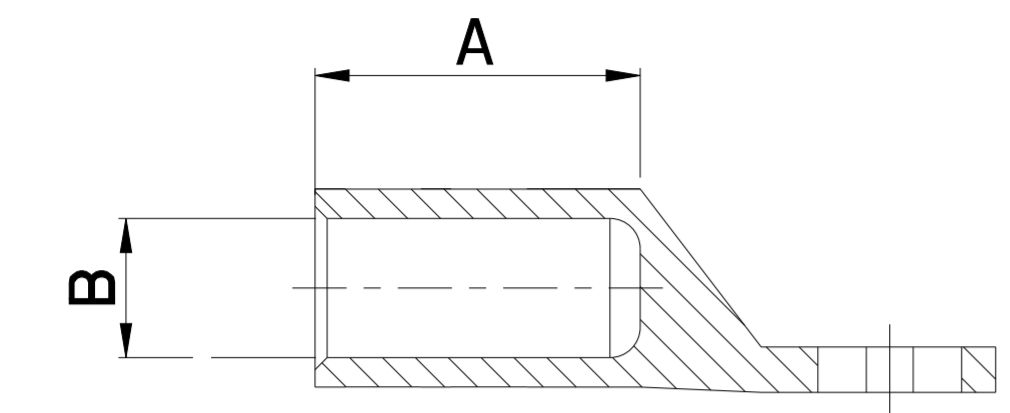
P	LTR	DESCRIPTION	DATE	DWN	APVD
A		NEW DRAWING	08MAY2009	GS	JM
B		ECR-10-006797	29MAR2010	RM	JM
B1		ECR-23-184265	18OCT2023	RK	DJ

NOTES:

1 PACKAGING: LOOSE PIECES IN CARTON

△ ONLY FOR FINE STRANDED CONDUCTORS

-2 AS SHOWN



TE PART NO	DESCRIPTION	STUD DIA/WIRE SIZE (mm2)	DIM A	DIM B	DIM C	DIM D	DIM E	DIM F	MATERIAL	SURFACE FINISH
<del>5-1991237-9</del>	<del>RING TONGUE 20-50mm<sup>2</sup></del>	<del>20/50</del>	<del>21</del>	<del>11.2</del>	<del>--</del>	<del>14.8</del>	<del>--</del>	<del>--</del>	<del>Cu</del>	<del>TINNED</del>
<del>5-1991237-8</del>	<del>RING TONGUE 16-50mm<sup>2</sup></del>	<del>16/50</del>	<del>21</del>	<del>11.2</del>	<del>28</del>	<del>14.8</del>	<del>--</del>	<del>17</del>	<del>Cu</del>	<del>TINNED</del>
5-1991237-7	RING TONGUE 14-50mm <sup>2</sup>	14/50	21	11.2	--	14.8	--	--	Cu	TINNED
<del>5-1991237-6</del>	<del>RING TONGUE 12-50mm<sup>2</sup></del>	<del>12/50</del>	<del>21</del>	<del>11.2</del>	<del>23</del>	<del>14.8</del>	<del>--</del>	<del>13</del>	<del>Cu</del>	<del>TINNED</del>
5-1991237-5	RING TONGUE 10-50mm <sup>2</sup>	10/50	21	11.2	22	14.8	--	10.5	Cu	TINNED
5-1991237-4	RING TONGUE 8-50mm <sup>2</sup>	8/50	21	11.2	22	14.8	--	8.4	Cu	TINNED
5-1991237-3	RING TONGUE 6-50mm <sup>2</sup>	6/50	21	11.2	22	14.8	--	6.4	Cu	TINNED
<del>3-1991237-8</del>	<del>RING TONGUE 16-35mm<sup>2</sup></del>	<del>16/35</del>	<del>18</del>	<del>9.2</del>	<del>26</del>	<del>12.4</del>	<del>--</del>	<del>17</del>	<del>Cu</del>	<del>TINNED</del>
<del>3-1991237-7</del>	<del>RING TONGUE 14-35mm<sup>2</sup></del>	<del>14/35</del>	<del>18</del>	<del>9.2</del>	<del>--</del>	<del>12.4</del>	<del>--</del>	<del>--</del>	<del>Cu</del>	<del>TINNED</del>
<del>3-1991237-6</del>	<del>RING TONGUE 12-35mm<sup>2</sup></del>	<del>12/35</del>	<del>18</del>	<del>9.2</del>	<del>23</del>	<del>12.4</del>	<del>--</del>	<del>13</del>	<del>Cu</del>	<del>TINNED</del>
<del>3-1991237-5</del>	<del>RING TONGUE 10-35mm<sup>2</sup></del>	<del>10/35</del>	<del>18</del>	<del>9.2</del>	<del>18</del>	<del>12.4</del>	<del>--</del>	<del>10.5</del>	<del>Cu</del>	<del>TINNED</del>
3-1991237-4	RING TONGUE 8-35mm <sup>2</sup>	8/35	18	9.2	18	12.4	--	8.4	Cu	TINNED
3-1991237-3	RING TONGUE 6-35mm <sup>2</sup>	6/35	18	9.2	18	12.4	--	6.4	Cu	TINNED
<del>2-1991237-8</del>	<del>RING TONGUE 16-25mm<sup>2</sup></del>	<del>16/25</del>	<del>16</del>	<del>7.7</del>	<del>--</del>	<del>10.7</del>	<del>--</del>	<del>--</del>	<del>Cu</del>	<del>TINNED</del>
<del>2-1991237-7</del>	<del>RING TONGUE 14-25mm<sup>2</sup></del>	<del>14/25</del>	<del>16</del>	<del>7.7</del>	<del>--</del>	<del>10.7</del>	<del>--</del>	<del>--</del>	<del>Cu</del>	<del>TINNED</del>
<del>2-1991237-6</del>	<del>RING TONGUE 12-25mm<sup>2</sup></del>	<del>12/25</del>	<del>16</del>	<del>7.7</del>	<del>20</del>	<del>10.7</del>	<del>--</del>	<del>13</del>	<del>Cu</del>	<del>TINNED</del>
<del>2-1991237-5</del>	<del>RING TONGUE 10-25mm<sup>2</sup></del>	<del>10/25</del>	<del>16</del>	<del>7.7</del>	<del>18</del>	<del>10.7</del>	<del>--</del>	<del>10.5</del>	<del>Cu</del>	<del>TINNED</del>
2-1991237-4	RING TONGUE 8-25mm <sup>2</sup>	8/25	16	7.7	16	10.7	--	8.4	Cu	TINNED
<del>2-1991237-3</del>	<del>RING TONGUE 6-25mm<sup>2</sup></del>	<del>6/25</del>	<del>16</del>	<del>7.7</del>	<del>16</del>	<del>10.7</del>	<del>--</del>	<del>6.4</del>	<del>Cu</del>	<del>TINNED</del>
<del>2-1991237-2</del>	<del>RING TONGUE 5-25mm<sup>2</sup></del>	<del>5/25</del>	<del>16</del>	<del>7.7</del>	<del>--</del>	<del>10.7</del>	<del>--</del>	<del>--</del>	<del>Cu</del>	<del>TINNED</del>
<del>1-1991237-6</del>	<del>RING TONGUE 12-16mm<sup>2</sup></del>	<del>12/16</del>	<del>13</del>	<del>6</del>	<del>20</del>	<del>9</del>	<del>--</del>	<del>13</del>	<del>Cu</del>	<del>TINNED</del>
1-1991237-5	RING TONGUE 10-16mm <sup>2</sup>	10/16	13	6	18	9	34.25	10.5	Cu	TINNED
1-1991237-4	RING TONGUE 8-16mm <sup>2</sup>	8/16	13	6	15	9	31.3	8.4	Cu	TINNED
1-1991237-3	RING TONGUE 6-16mm <sup>2</sup>	6/16	13	6	14	9	28.3	6.4	Cu	TINNED
1-1991237-2	RING TONGUE 5-16mm <sup>2</sup>	5/16	13	6	14	9	26.6	5.3	Cu	TINNED
<del>1-1991237-1</del>	<del>RING TONGUE 4-16mm<sup>2</sup></del>	<del>4/16</del>	<del>13</del>	<del>6</del>	<del>--</del>	<del>9</del>	<del>--</del>	<del>--</del>	<del>Cu</del>	<del>TINNED</del>

THIS DRAWING IS A CONTROLLED DOCUMENT.

DWN: S. GURURAJ 29JAN2009  
 CHK: M. HARRIS 29JAN2009  
 APVD: J. MARSH 29JAN2009

**STE** TE Connectivity

NAME: RING TONGUE, IPT 16-50mm Sq TO SUIT FINE STRANDED CONDUCTORS

SIZE: A2 CAGE CODE: 00779 DRAWING NO: C-1991237 RESTRICTED TO: -

SCALE: 2:1 SHEET: 1 OF 1 REV: B1