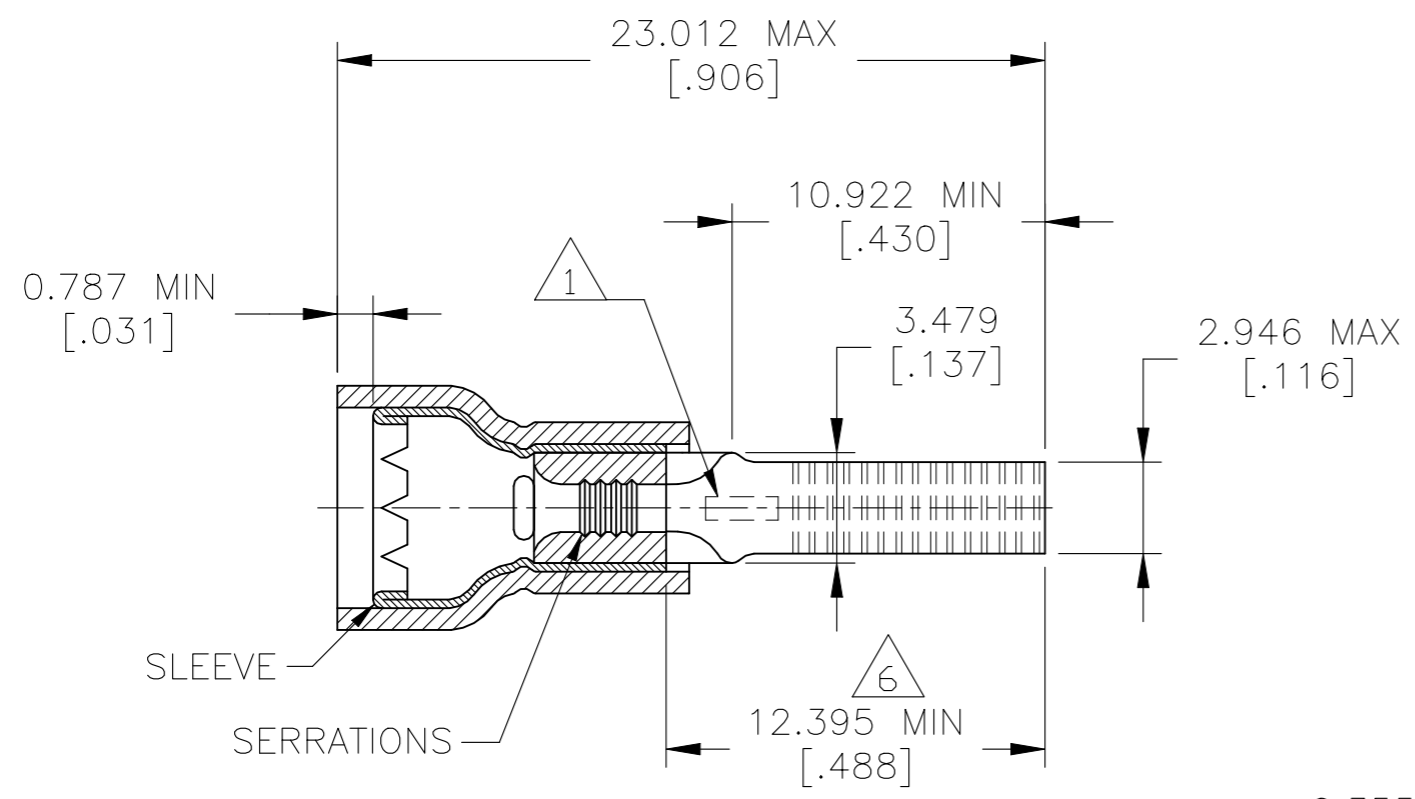
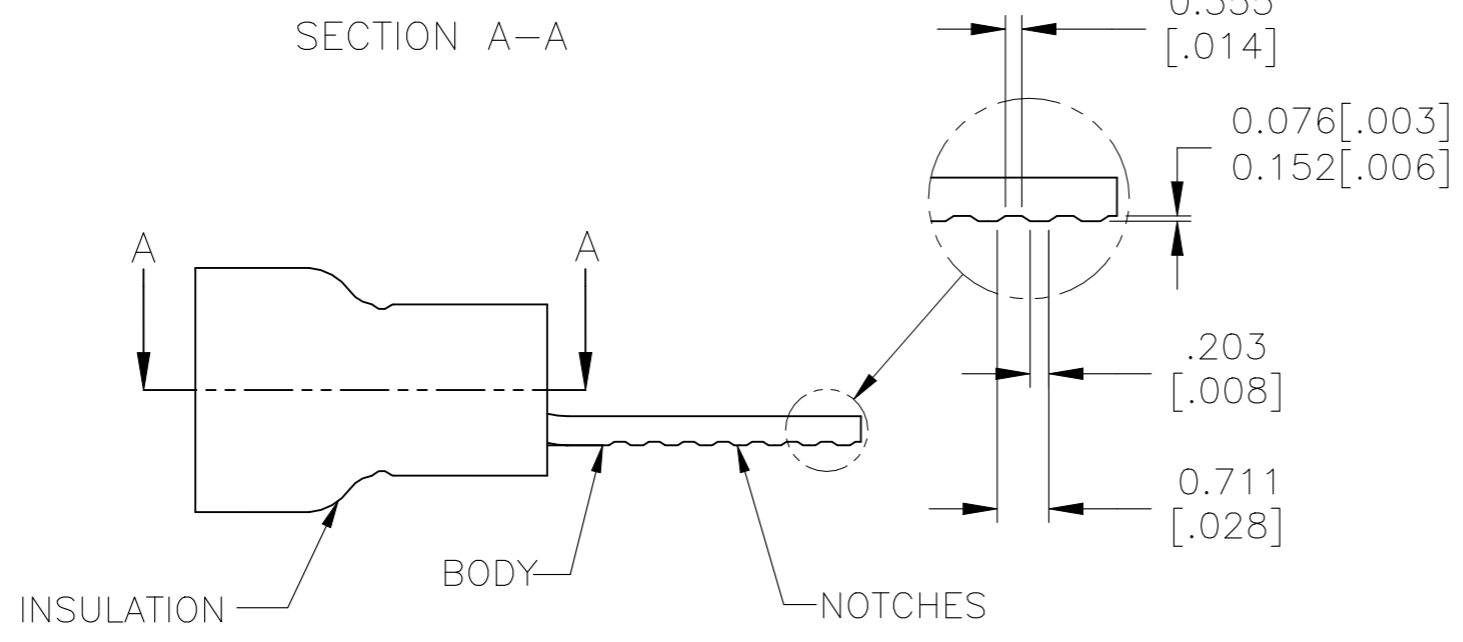


REVISIONS				
P	LTR	DESCRIPTION	DATE	APVD
	A	INITIAL RELEASE	03MAR2022	GK SC



- 1 STAMP AMP 22-16 APPROX AS SHOWN
- 2. WIRE INSULATION DIAMETER:  
∅2.692-3.581[∅.106-.141]
- 3. BODY MATERIAL THK: 0.787±0.051[.031±.002]
- 4 MATERIAL:  
BODY & SLEEVE - COPPER PER ASTM B152  
INSULATION - NYLON PER ASTM D4066 TYPE 1
- 5 FINISH:  
BODY & SLEEVE - TIN PLATE 0.00254[.000100]  
MIN EXT THK PER ASTM B545  
INSULATION COLOR - RED
- 6 APPLIES FROM EDGE OF METAL WIRE BARREL



100	WPF015-N	1SET152004R0000	131331
QTY	DESIGNATION	ENTRELEC PN	TE PN

MAX RECOMMENDED OPERATING TEMPERATURE: 105°C [221°F] MAX
VOLTAGE RATING: 300V MAX
CIRCULAR MIL AREA: 0.25-1.60mm <sup>2</sup> [493-3158] STRANDED

THIS DRAWING IS A CONTROLLED DOCUMENT.	
DIMENSIONS: mm [INCHES]	TOLERANCES UNLESS OTHERWISE SPECIFIED:
	0 PLC ± -
	1 PLC ± -
	2 PLC ± -
	3 PLC ± 0.127[.005]
	4 PLC ± -
	ANGLES ± -
MATERIAL	FINISH
4	5

DWN GOPALAKRISHNA HV 03MAR2022	<b>ENTRELEC</b> Electrical Solutions		
CHK SUVARNA CHETHAN 03MAR2022			
APVD SUVARNA CHETHAN 03MAR2022	NAME TERMINAL, WIRE TAB, PIDG, WIRE SIZE: 22-16 AWG		
PRODUCT SPEC -	SIZE A3	CAGE CODE -	DRAWING NO C-1SET152004R0000
APPLICATION SPEC 114-2157	RESTRICTED TO -		SCALE 6:1
WEIGHT -	SHEET 1 OF 1		REV A
CUSTOMER DRAWING			