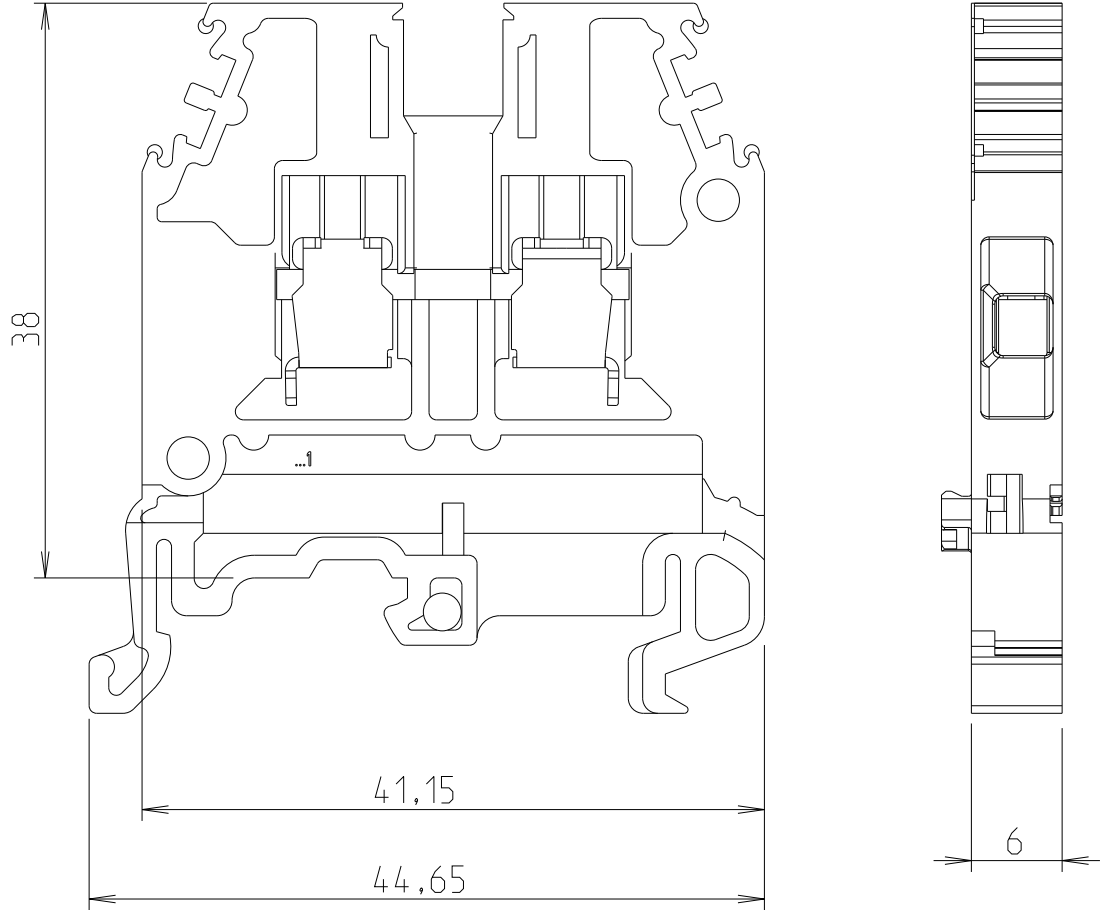


REVISIONS

P	LTR	DESCRIPTION	DATE	DWN	APVD
	A	First Released	03JAN2023	VR	VR



© 2023 TE Connectivity. All Rights Reserved.

DIMENSIONS: mm	DWN Villard, Romain	2023	MATERIAL PA	FINISH -
TOLERANCES UNLESS OTHERWISE SPECIFIED: 0 PLC ± 1 PLC ±0.1 2 PLC ±0.01 3 PLC ±0.001 4 PLC ±0.0001 ANGLES ±	CHK	NAME M4/6 1SNA125116R0100		
	APVD	SIZE CAGE CODE DRAWING NO RESTRICTED TO A 4 00779 ©=1SNP058587-0108 -		
	PRODUCT SPEC	WEIGHT 8,132		
	APPLICATION SPEC	CUSTOMER DRAWING SCALE 2:1 SHEET 1 OF 1 REV A		