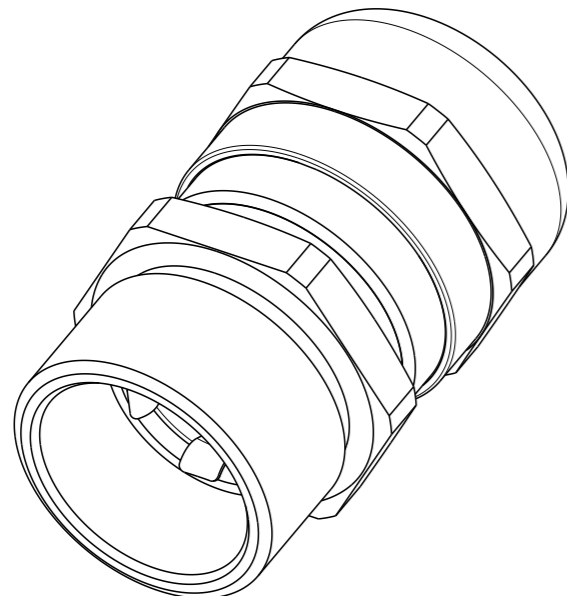
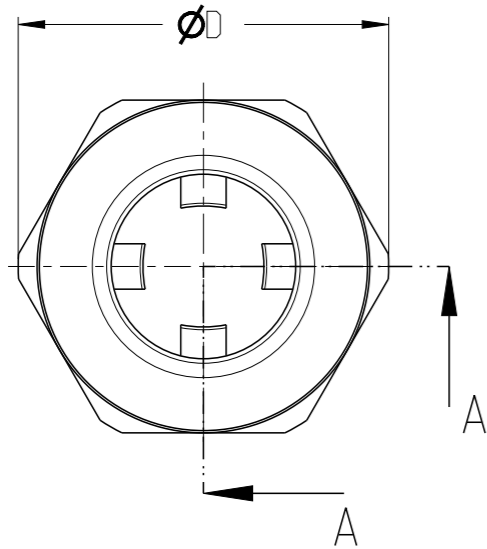
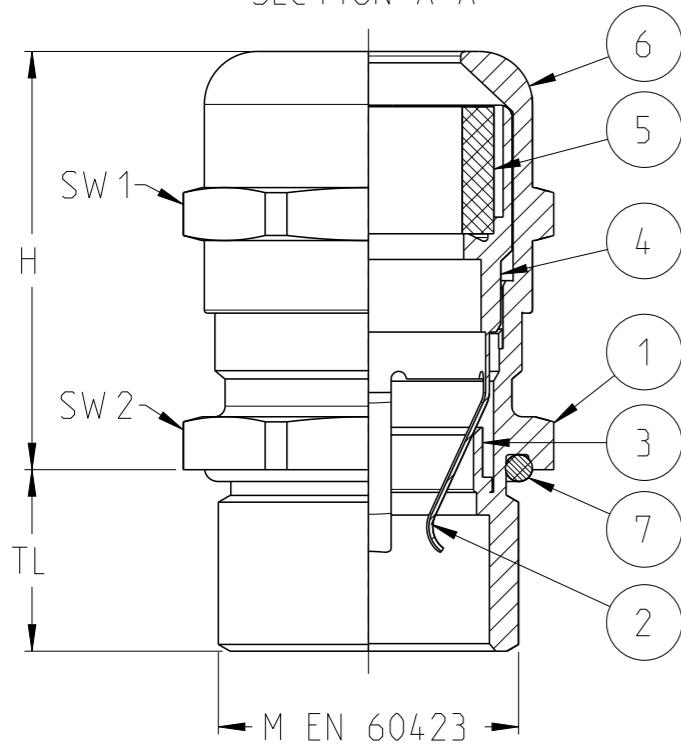


P	LTR	DESCRIPTION	DATE	DWN	APVD
	A	INITIAL REVISION	22MAR2022	KR	RM

SECTION A-A



TCPN	TE Product Type (Entrelec)	M EN 60423	TL	H	ØD	SW 1	SW 2	Clamping Range Ø min - max	Shield Diameter Ø min-max
1SNG614001R0000	EM-EMC 4-M12-MET-A	M12x1.5	6.0	28.1	15.5	14	14	3.0 - 6.5	2.0 - 5.0
1SNG614002R0000	EM-EMC 4-M16-MET-A	M16x1.5	6.0	33.1	22.0	20	20	5.0 - 10.0	3.5 - 8.0
1SNG614003R0000	EM-EMC 4-M20-MET-A	M20x1.5	6.0	31.7	24.5	22	22	6.0 - 12.0	4.5 - 10.0
1SNG614004R0000	EM-EMC 4-M20-MET-B	M20x1.5	8.0	39.7	26.8	24	24	7.5 - 14.0	5.5 - 11.5
1SNG614005R0000	EM-EMC 4-M25-MET-A	M25x1.5	8.0	43.1	33.0	30	30	10.0 - 18.0	7.0 - 14.0
1SNG614006R0000	EM-EMC 4-M32-MET-A	M32x1.5	9.0	52.9	43.5	40	40	16.0 - 25.0	12.0 - 20.0
1SNG614007R0000	EM-EMC 4-M40-MET-A	M40x1.5	9.0	60.7	55.5	50	50	22.0 - 32.0	18.0 - 27.0
1SNG614008R0000	EM-EMC 4-M50-MET-A	M50x1.5	9.0	72.0	64.0	58	58	30.0 - 38.0	26.0 - 34.0
1SNG614009R0000	EM-EMC 4-M63-MET-A	M63x1.5	14.0	58.2	75.0	64	68	34.0 - 44.0	30.0 - 40.0
1SNG614010R0000	EM-EMC 4-M63-MET-B	M63x1.5	10.0	73.1	83.0	75	75	37.0 - 53.0	33.0 - 49.0

RPT	QTY	DOC TITLE	DRAWING NUMBER	MATERIAL	COMMENTS
7	1	O-RING	-	NBR	-
6	1	GLANDS CAP	-	Brass (Nickel plated)	-
5	1	SEAL	-	CR	-
4	1	PLASTIC INSERT	-	PA6 V2	-
3	1	EMC PRESSURE RING	-	Brass (Nickel plated)	-
2	1	EMC SPRING	-	CuBe (Tin Plated)	-
1	1	EMC CABLE GLAND BODY	-	Brass (Nickel plated)	-

THIS DRAWING IS A CONTROLLED DOCUMENT.		DWN 22MAR2022 Rajan n. Kasi		
		CHK 22MAR2022 Rafeeq. Mohd		
		APVD 22MAR2022 Rafeeq. Mohd		
		PRODUCT SPEC		
DIMENSIONS: mm 		TOLERANCES UNLESS OTHERWISE SPECIFIED: 0 PLC ±1 1 PLC ±1 2 PLC ±1 3 PLC ±1 4 PLC ±1 ANGLES ±		NAME M-EMC 4-GLAND
MATERIAL REF. TABLE		FINISH REF. TABLE		APPLICATION SPEC M-EMC 4-GLAND
		WEIGHT		SIZE CAGE CODE DRAWING NO RESTRICTED TO A3 00779 ©-1SNP061364-0100 -
CUSTOMER DRAWING			SCALE 2:1	SHEET 1 OF 1
			REV A1	