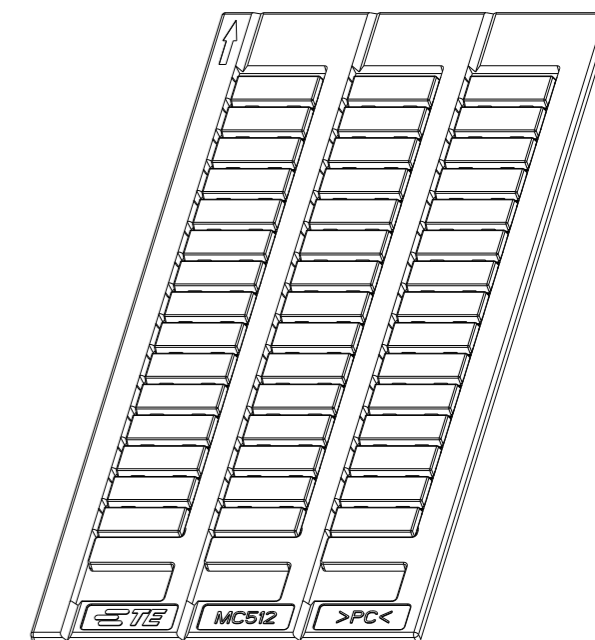
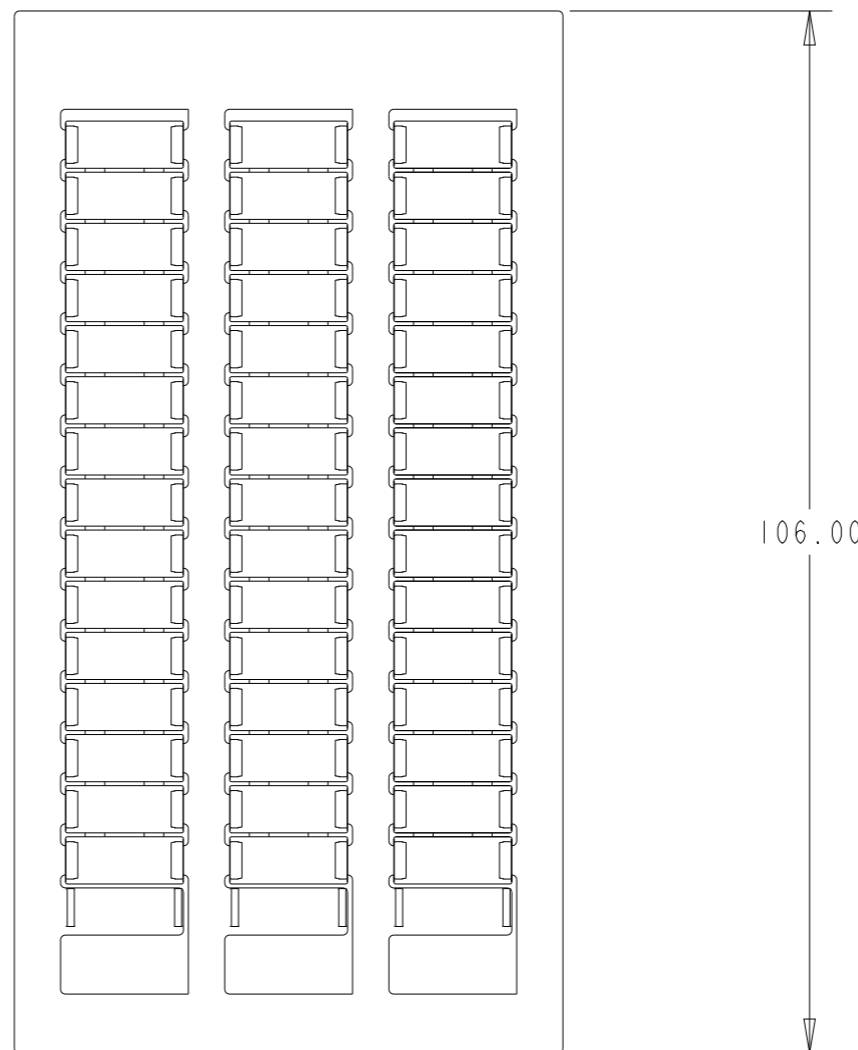
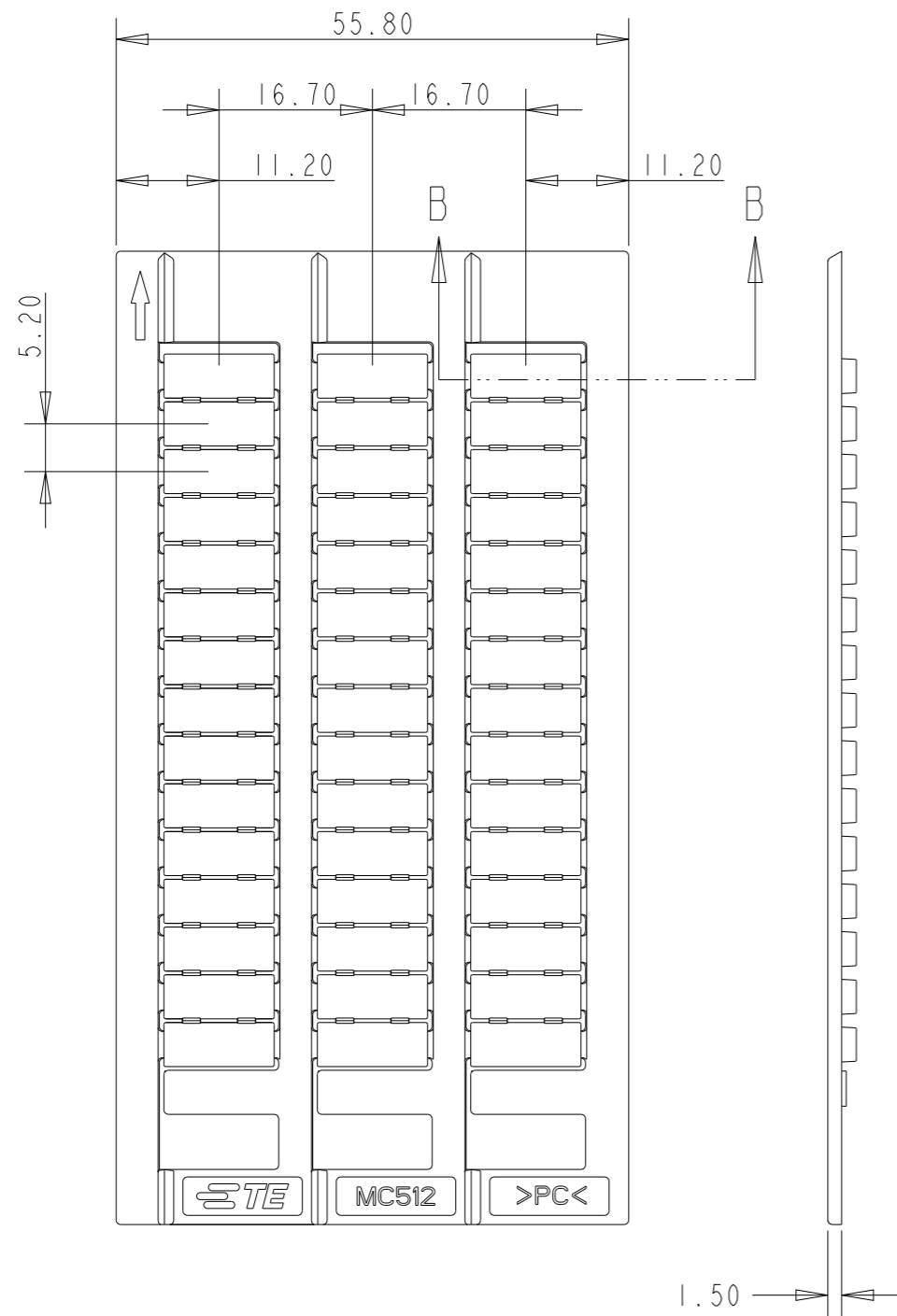
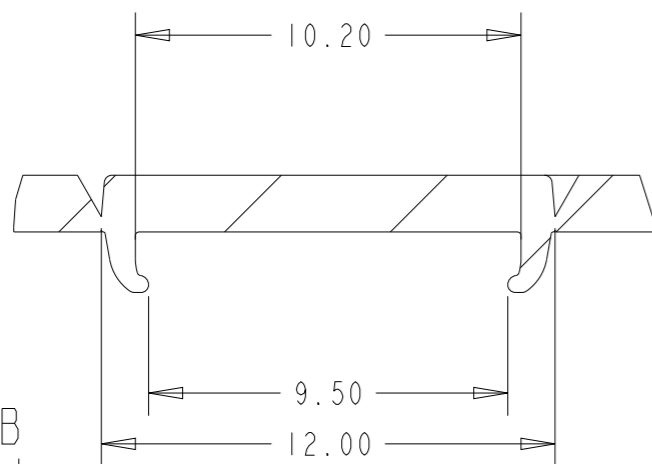


P	LTR	DESCRIPTION	DATE	DWN	APVD
	A	First Released	08JAN2021	DS	VR
	AI	Change Name to ISNP*	14OCT2022	VR	VR



SCALE 1:1



COUPE B-B
ECHELLE 5:1

-	PC	MC512-YL	ISNK140004R0000
-	PC	MC512	ISNK140000R0000
FINISH	MATERIAL	DESCRIPTION	PART NO

THIS DRAWING IS A CONTROLLED DOCUMENT. 4

Oct-22 03:00:37 AM
Villard, Romain
CHK 2022-10-14
Villard, Romain
APVD 2022-10-14
Villard, Romain

STC TE Connectivity

NAME
MC512
MC512

PRODUCT SPEC -
APPLICATION SPEC -
WEIGHT 9.380

SIZE A3 CAGE CODE 00779 DRAWING NO ©-ISNP082118-0100 RESTRICTED TO -

CUSTOMER DRAWING SCALE 5:1 SHEET 1 OF 1 REV AI