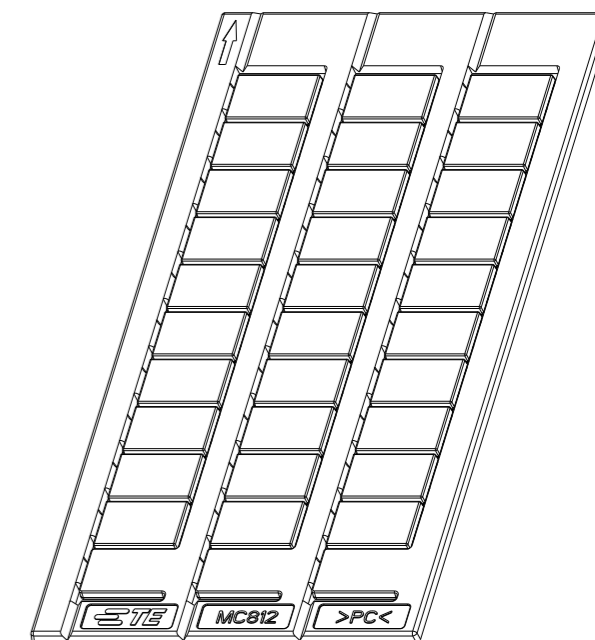
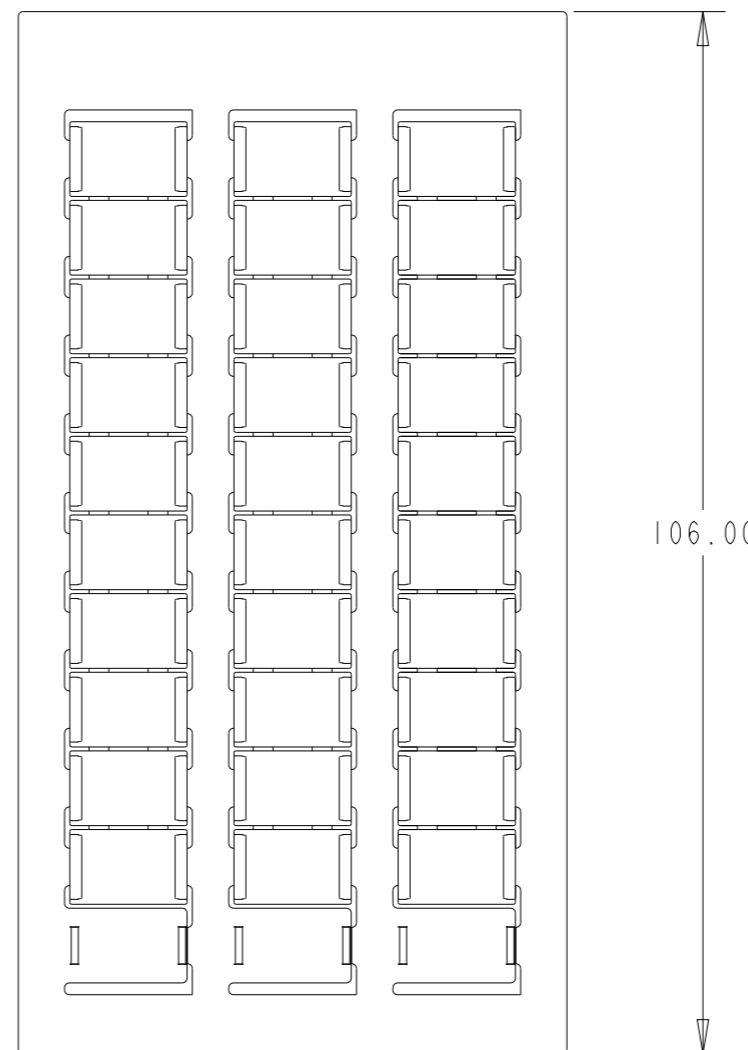
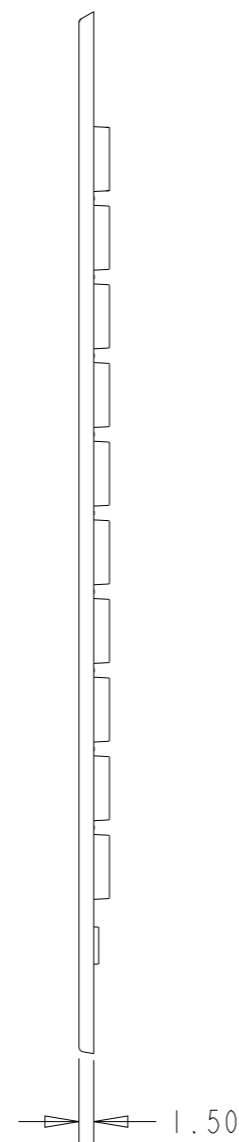
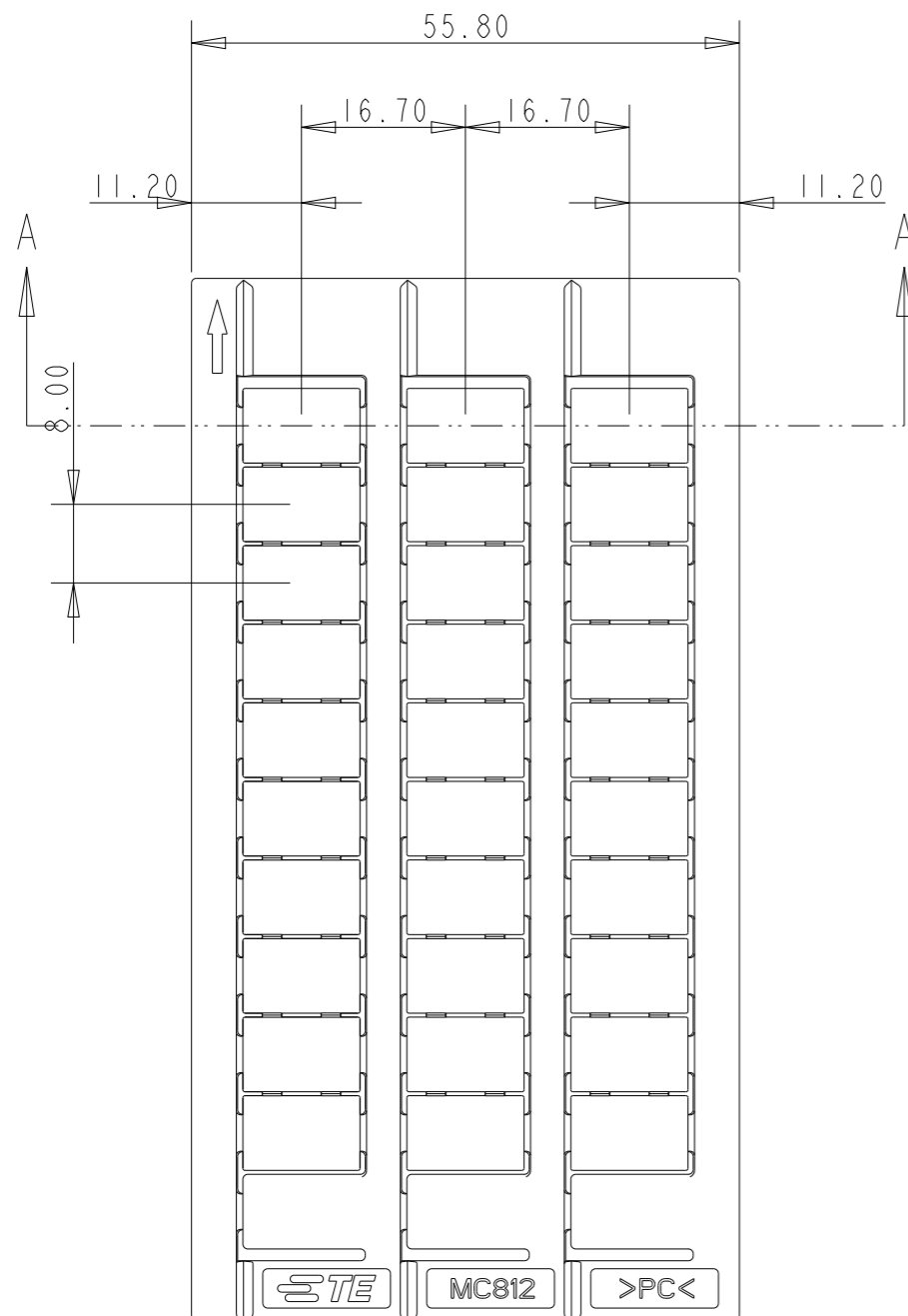
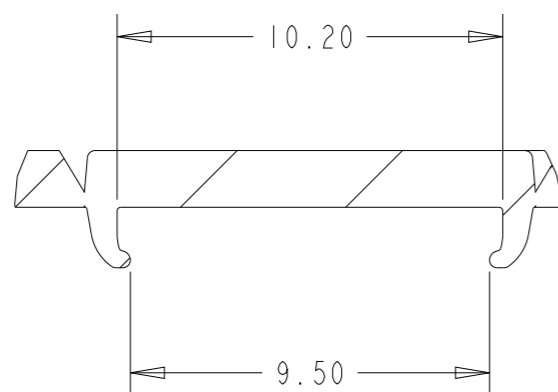


P	LTR	DESCRIPTION	DATE	DWN	APVD
	A	First Released	11JAN2021	SD	VR
	AI	Change name to ISNP*	14OCT2022	VR	VR




SCALE 1:1



COUPE A-A  
ECHELLE 5:1

-	PC	MC812	ISNK160000R0000
-	PC	MC812-YL	ISNK160004R0000
FINISH	MATERIAL	DESCRIPTION	PART NO

THIS DRAWING IS A CONTROLLED DOCUMENT. 4		Oct-22 04:43:06 AM		 TE Connectivity	
Villard, Romain		CHK 2022-10-14			
Villard, Romain		APVD 2022-10-14		NAME MC812	
Villard, Romain		PRODUCT SPEC		-	
APPLICATION SPEC		-		RESTRICTED TO	
WEIGHT 10.053		SIZE A3	CAGE CODE 00779	DRAWING NO C-1SNP082120-0000	
Customer Drawing		SCALE 5:1	SHEET 1 OF 1	REV AI	

DIMENSIONS:	TOLERANCES UNLESS OTHERWISE SPECIFIED:
mm	
0 PLC	±-
1 PLC	±0.1
2 PLC	±0.01
3 PLC	±0.001
4 PLC	±0.0001
ANGLES	±-
FINISH	-
	-