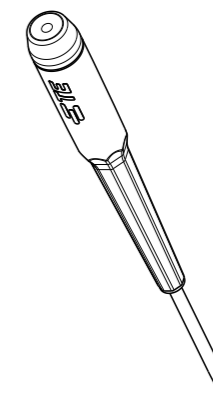
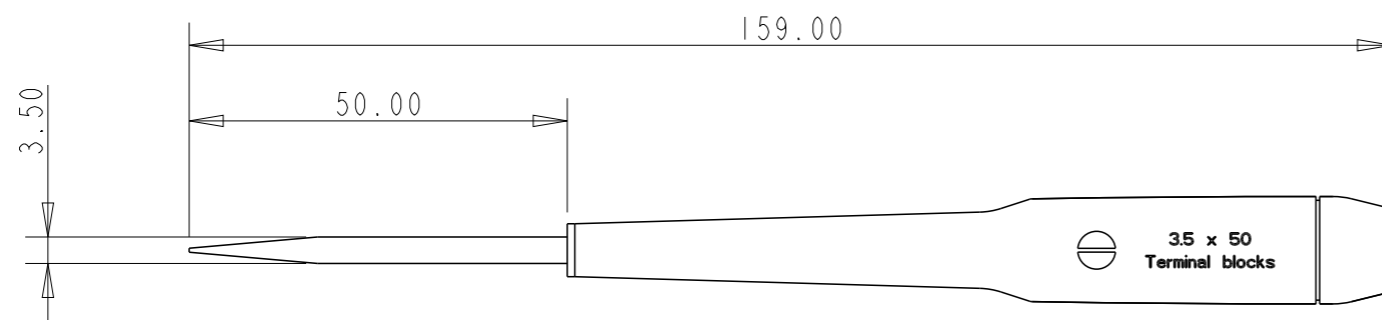



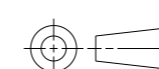
REVISIONS

P	LTR	DESCRIPTION	DATE	DWN	APVD
	A	First Released	04JAN2021	NN	VR



SCALE 1:2

-	-	ISNK900640R0000
FINISH	MATERIAL	PART NO

THIS DRAWING IS A CONTROLLED DOCUMENT.		DWN Dyara Silva	23NOV2020	 TE Connectivity	
DIMENSIONS: mm		CHK	-		
		TOLERANCES UNLESS OTHERWISE SPECIFIED:		NAME T03.5-50	
		0 PLC	±-	PRODUCT SPEC	-
		1 PLC	±0.1	APPLICATION SPEC	-
		2 PLC	±0.01	WEIGHT	-
MATERIAL		3 PLC	±0.001	SIZE	A3
FINISH		4 PLC	±0.0001	CAGE CODE	00779
		ANGLES	±-	DRAWING NO	ISNP082303-0100
				RESTRICTED TO	-
				CUSTOMER DRAWING	SCALE 5:1
				SHEET 1 OF 1	REV A