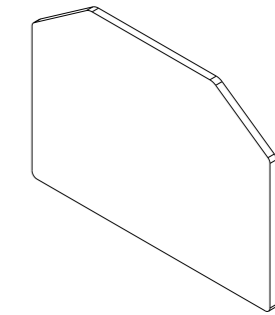
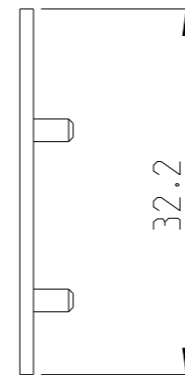
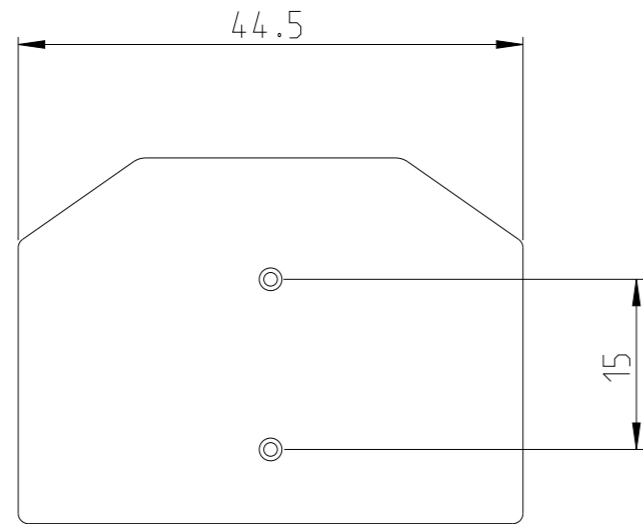
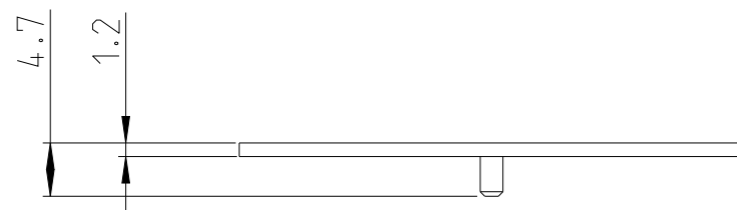


REVISIONS

P	LTR	DESCRIPTION	DATE	DWN	APVD



SCALE 1:1



-	-	1SNA519003R0000
FINISH	MATERIAL	PART NO

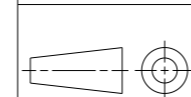
THIS DRAWING IS A CONTROLLED DOCUMENT.

DWN 20MAY2021
DYARAL SILVA



DIMENSIONS:
mm

TOLERANCES UNLESS OTHERWISE SPECIFIED:



- 0 PLC ±
- 1 PLC ±0.1
- 2 PLC ±0.01
- 3 PLC ±0.005
- 4 PLC ±0.0001
- ANGLES ±

CHK -

APVD -

PRODUCT SPEC -

APPLICATION SPEC -

WEIGHT -

NAME
E-RGW 2.5

SIZE	CAGE CODE	DRAWING NO	RESTRICTED TO
------	-----------	------------	---------------

A3	00779	©=1SNP200136-0100	-
----	-------	-------------------	---

MATERIAL -

FINISH -

CUSTOMER DRAWING	SCALE 3:2	SHEET 1 OF 1	REV A
------------------	-----------	--------------	-------