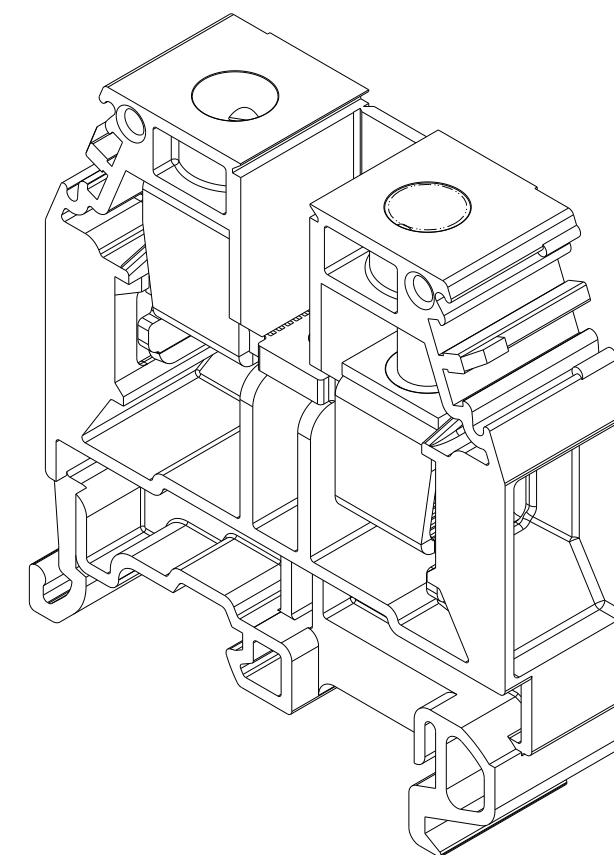
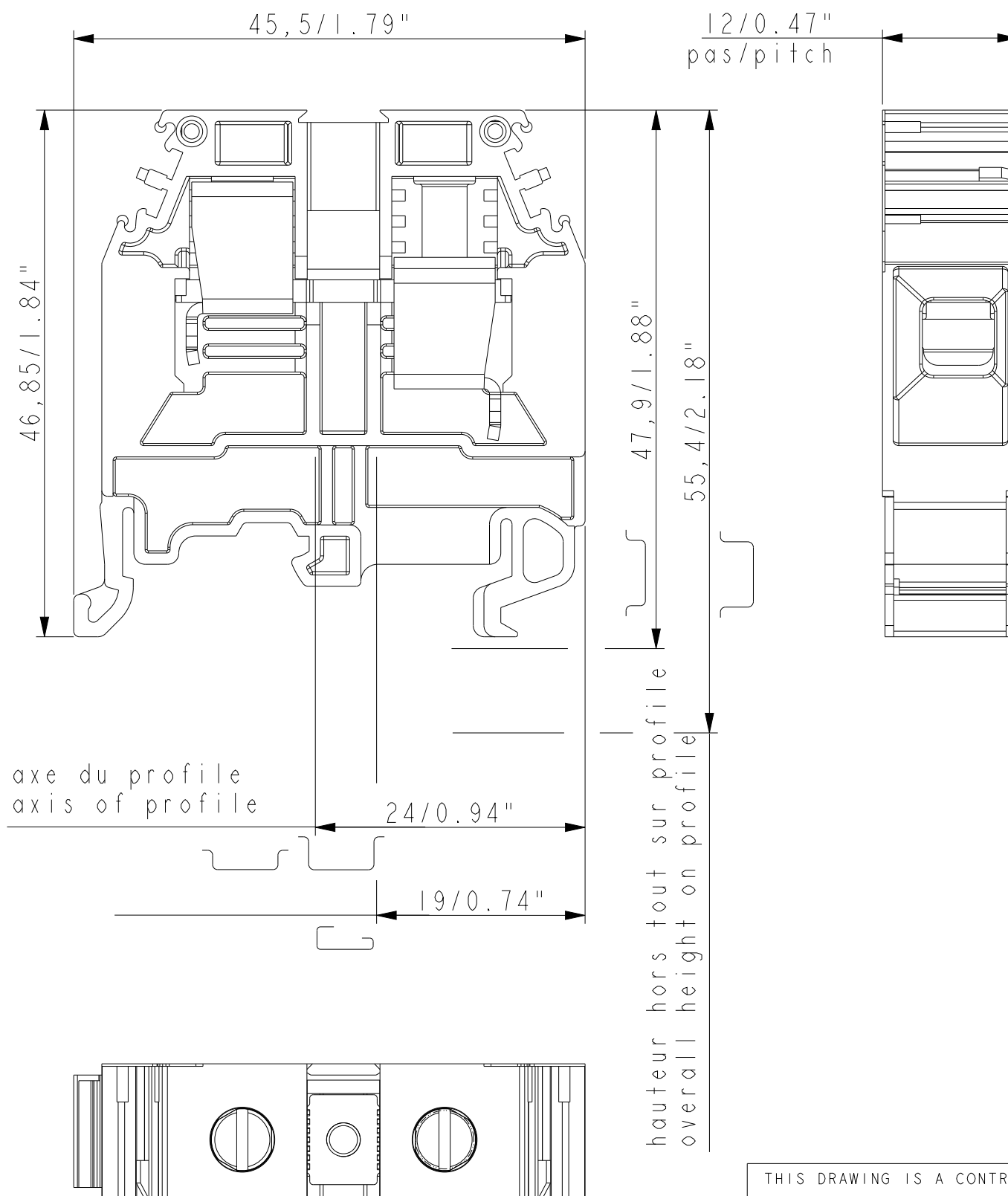


REVISIONS

P	LTR	DESCRIPTION	DATE	DWN	APVD
	A	First Released	11JAN2023	VR	VR



THIS DRAWING IS A CONTROLLED DOCUMENT.		Dwan-23 04:29:01 PM Villard, Romain			
DIMENSIONS: mm		TOLERANCES UNLESS OTHERWISE SPECIFIED:			
		0 PLC ±-	1 PLC ±0,1	NAME M16/12 ISNA125129R1600	
MATERIAL PA		2 PLC ±0,01	3 PLC ±0,005	SIZE A3	
		4 PLC ±0,0001	ANGLES ±-	CAGE CODE 00779	DRAWING NO C-1SNP200673-0101
		FINISH		WEIGHT 18,135	RESTRICTED TO -
Customer Drawing				SCALE 2,000	SHEET 1 OF 1
				REV A	