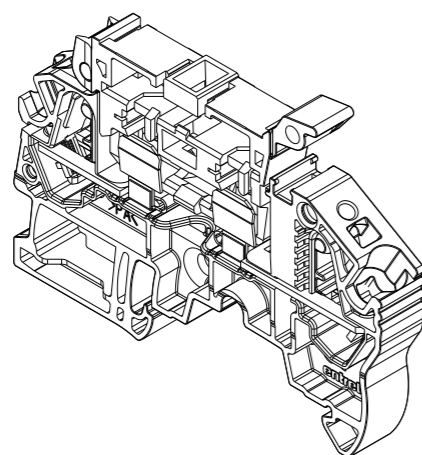
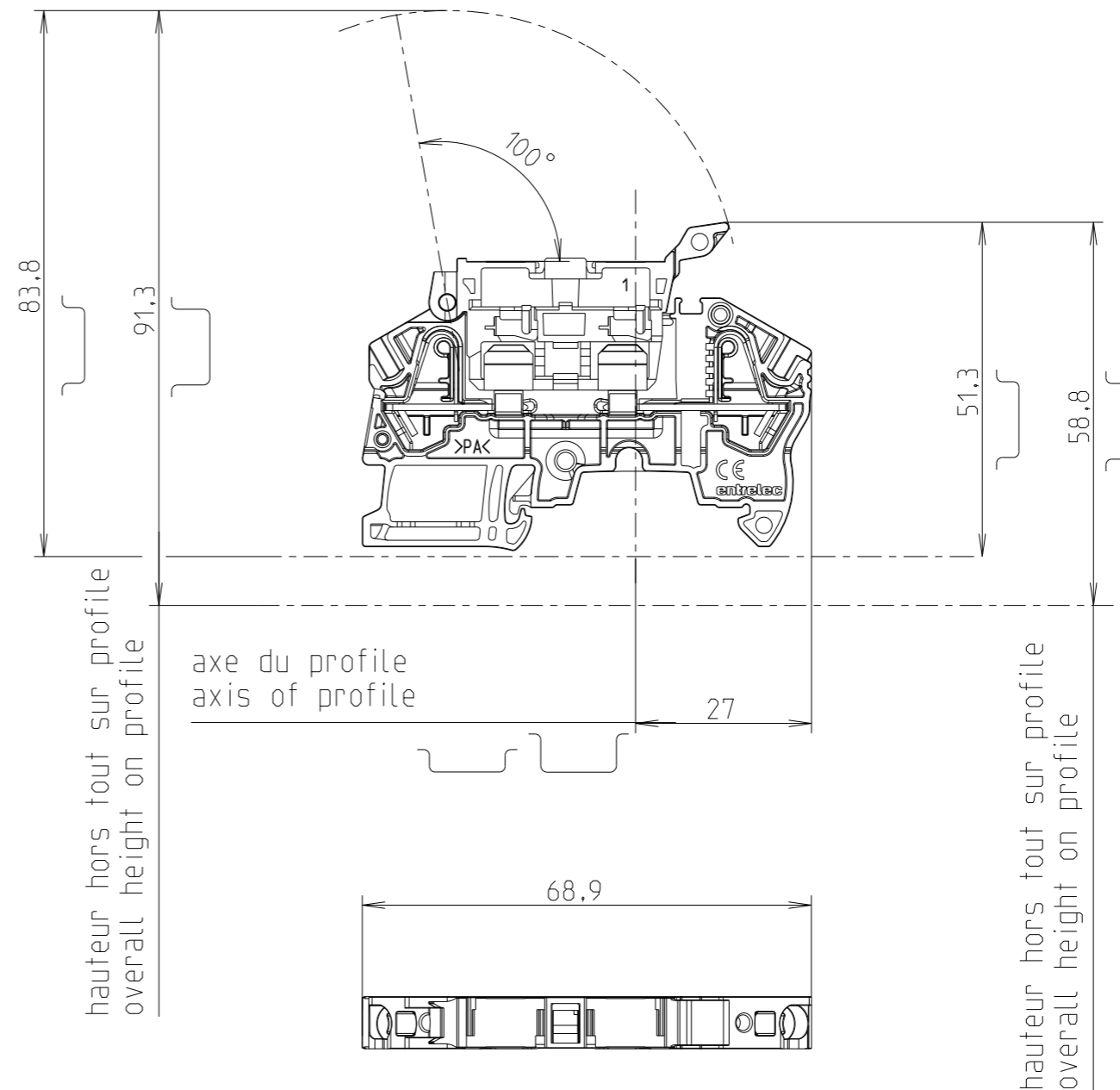
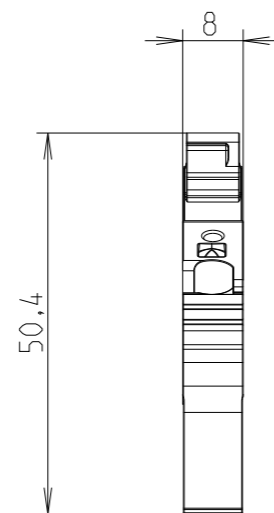


REVISIONS

P	LTR	DESCRIPTION	DATE	DWN	APVD
	1	First Released	08FEB2022	RV	
	A	GTP	03AUG2023	VR	VR



Vue Isometrique
Isometric View

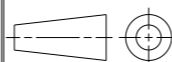
THIS DRAWING IS A CONTROLLED DOCUMENT.

CHK
Villard, Romain



DIMENSIONS:
mm

TOLERANCES UNLESS OTHERWISE SPECIFIED:



- 0 PLC ±
- 1 PLC ±0.1
- 2 PLC ±0.01
- 3 PLC ±0.005
- 4 PLC ±0.0001
- ANGLES ±

MATERIAL

FINISH

CHK

APVD

PRODUCT SPEC

APPLICATION SPEC

WEIGHT

12.815

NAME

ZK4-SF1
1SNK708410R0000

SIZE

CAGE CODE

DRAWING NO

RESTRICTED TO

A3

00779

©-1SNP300017-0100

-

Customer Drawing

SCALE 1:1

SHEET 1 OF 1

REV A