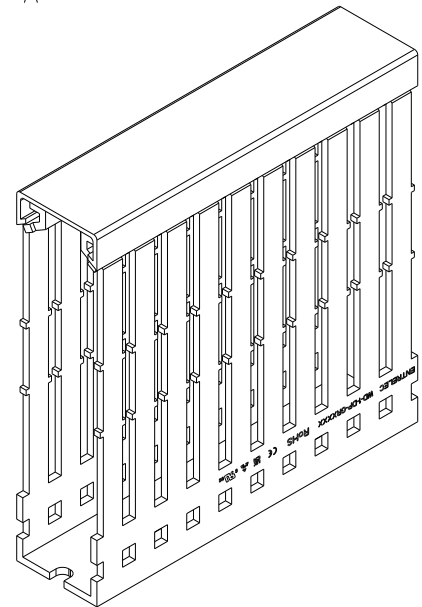
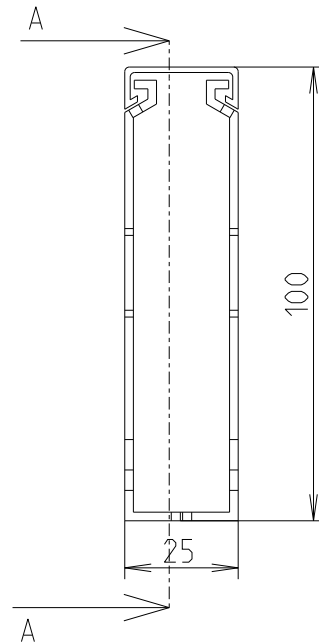
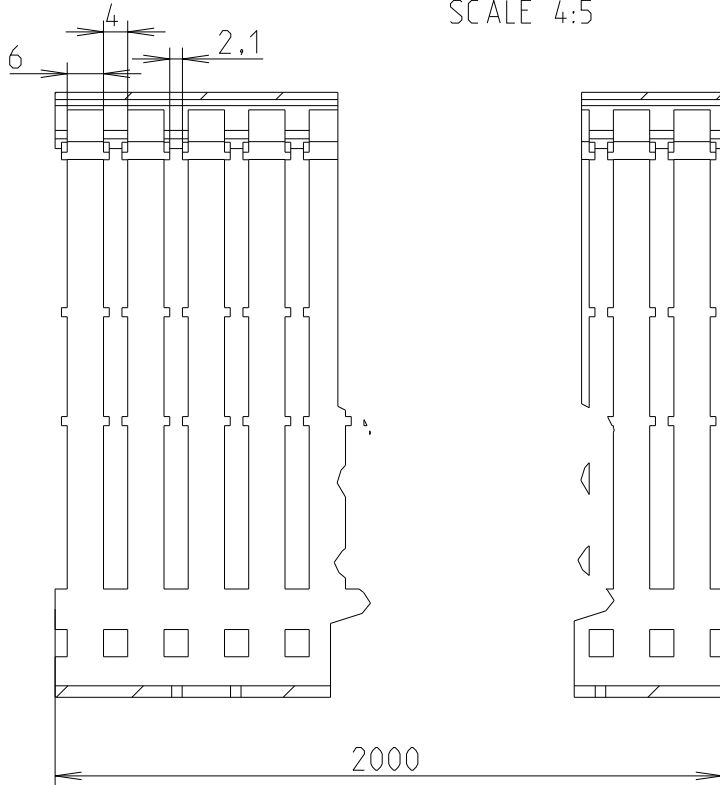
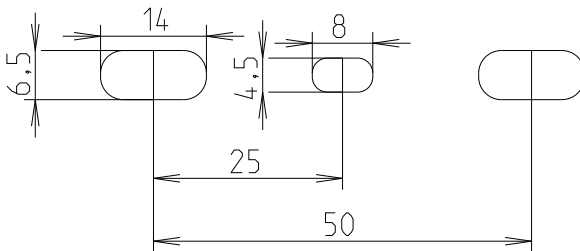


REVISIONS					
P	LTR	DESCRIPTION	DATE	DWN	APVD
	A	First release	17JUN2021	SL	VR

SECTION A-A  
SCALE 4:5




SCALE 1:1



© 2021 TE Connectivity. All Rights Reserved.

1SET411007R0000

PART NO.

DIMENSIONS: mm		DWN 13-Sep-21 03:44:58 PM Deligny, Charlotte		MATERIAL PVC		FINISH -	
TOLERANCES UNLESS OTHERWISE SPECIFIED:		CHK Seguin, Laurene 2021-06-17		 TE Connectivity			
		APVD Villard, Romain 2021-07-05					
0 PLC ±		PRODUCT SPEC -		NAME WD-1-DP-GR2510			
1 PLC ±1		APPLICATION SPEC -		SIZE A 4		CAGE CODE 00779	
2 PLC ±1		WEIGHT -		DRAWING NO C=1SNP300190-0100		RESTRICTED TO -	
3 PLC ±1		CUSTOMER DRAWING		SCALE 1:1		SHEET 1 OF 1	
4 PLC ±1						REV A1	
ANGLES ±							