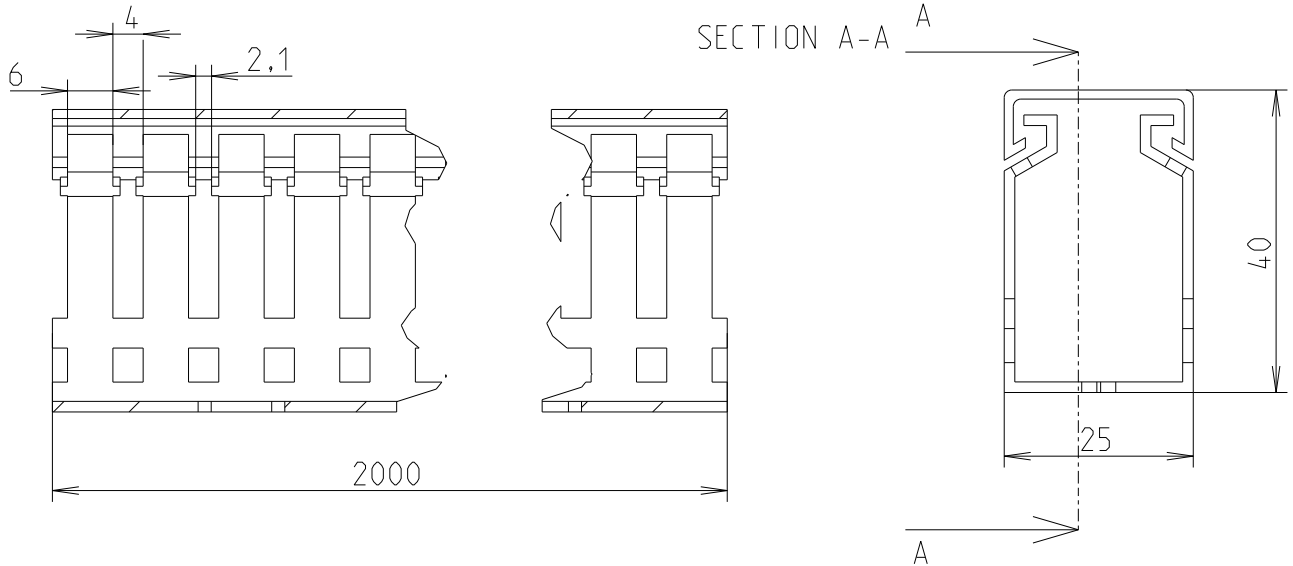
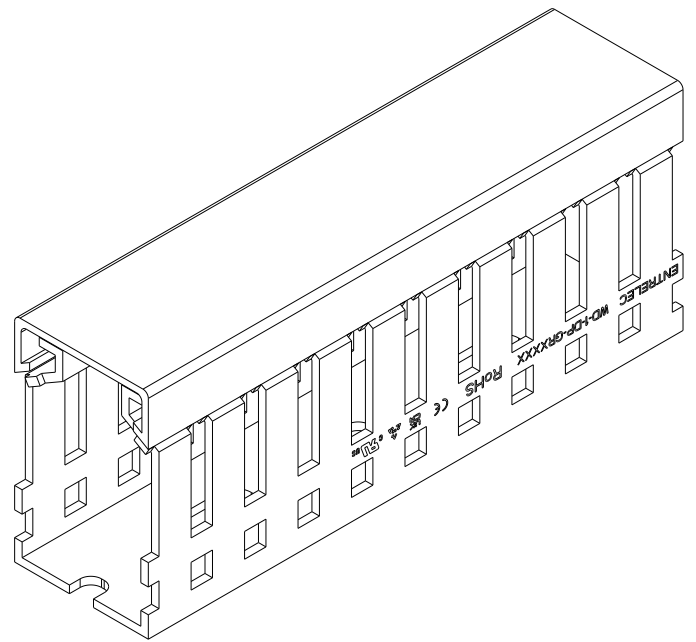
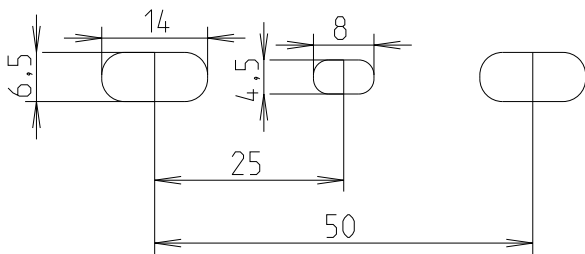


REVISIONS					
P	LTR	DESCRIPTION	DATE	DWN	APVD
	A	First release	26MAY2021	SL	VR



SCALE 1:1



© 2021 TE Connectivity. All Rights Reserved.

1SET411009R0000

PART NO.

DIMENSIONS: mm		DWN 13-Sep-21 09:44:58 AM Deligny, Charlotte		MATERIAL PVC		FINISH -	
TOLERANCES UNLESS OTHERWISE SPECIFIED:		CHK Seguin, Laurene 2021-05-26					
		APVD Villard, Romain 2021-07-05					
0 PLC ±1		PRODUCT SPEC		NAME WD-1-DP-GR2540			
1 PLC ±1		APPLICATION SPEC		-			
2 PLC ±1		WEIGHT		SIZE A 4		CAGE CODE 00779	
3 PLC ±1		-		DRAWING NO		RESTRICTED TO	
4 PLC ±1		-		C=1SNP300190-0102		-	
ANGLES ±		CUSTOMER DRAWING		SCALE 1:1		SHEET 1 OF 1	
						REV A1	