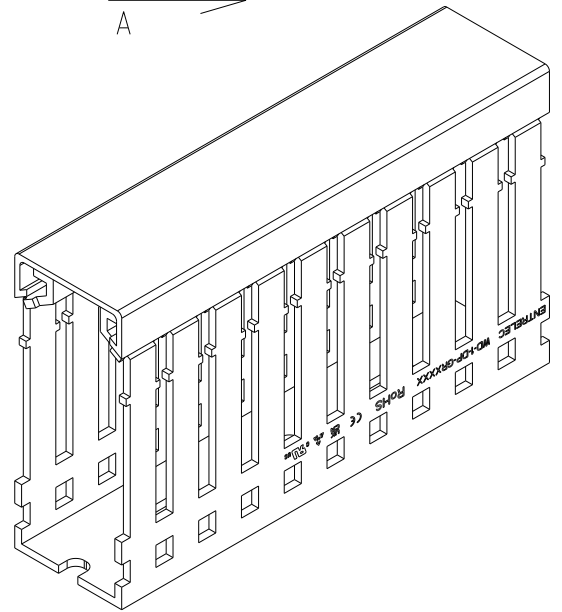
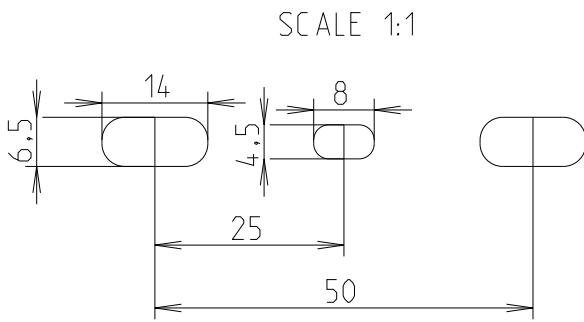
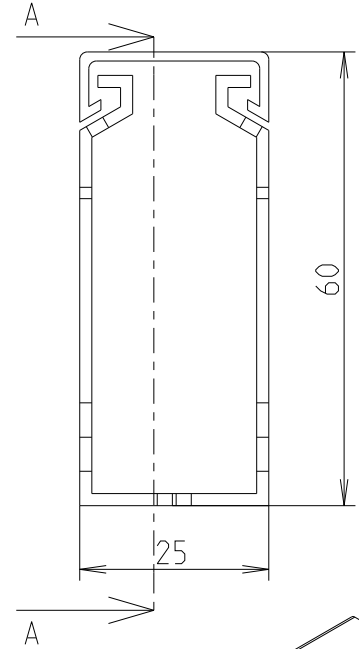
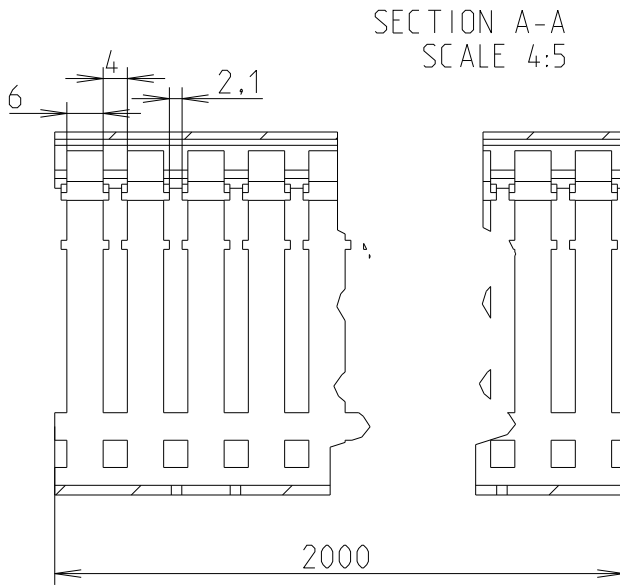


REVISIONS					
P	LTR	DESCRIPTION	DATE	DWN	APVD
	A	First release	17JUN2021	SL	VR



© 2021 TE Connectivity. All Rights Reserved.

1SET411010R0000

PART NO.

DIMENSIONS: mm		DWN 13-Sep-21 03:44:58 PM Deligny, Charlotte		MATERIAL PVC		FINISH -	
TOLERANCES UNLESS OTHERWISE SPECIFIED:		CHK Seguin Laurene 2021-06-17					
0 PLC ±		APVD Villard, Romain 2021-07-05					
1 PLC ±1		PRODUCT SPEC		NAME W D-1-DP-GR2560			
2 PLC ±1		APPLICATION SPEC		SIZE A 4			
3 PLC ±1		WEIGHT		CAGE CODE 00779		DRAWING NO C-1SNP300190-0103	
4 PLC ±1		CUSTOMER DRAWING		RESTRICTED TO		-	
ANGLES ±		SCALE 1:1		SHEET 1 OF 1		REV A1	