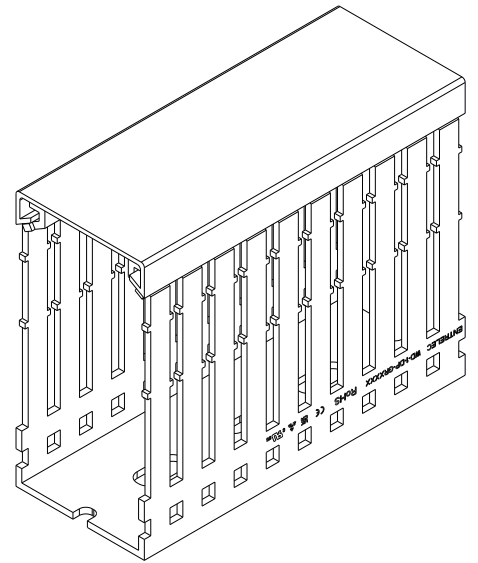
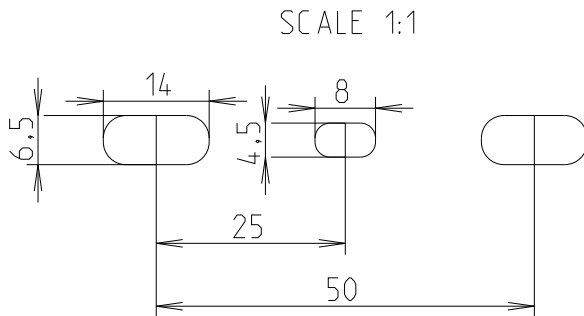
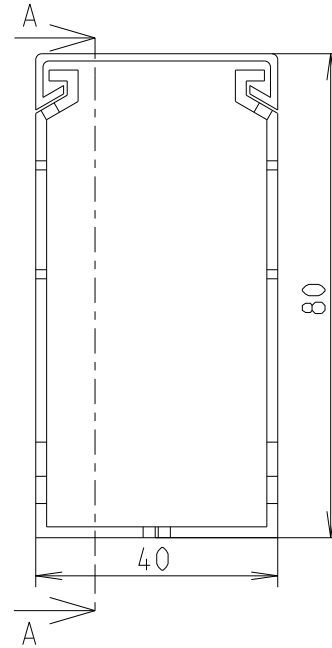
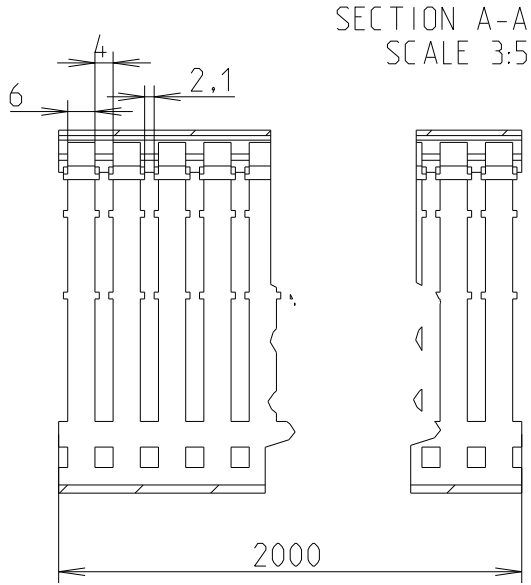


REVISIONS					
P	LTR	DESCRIPTION	DATE	DWN	APVD
	A	First release	17JUN2021	SL	VR



© 2021 TE Connectivity. All Rights Reserved.

1SET411015R0000

PART NO.

DIMENSIONS: mm		DWN 13-Sep-21 03:44:58 PM Deligny, Charlotte		MATERIAL PVC		FINISH -					
TOLERANCES UNLESS OTHERWISE SPECIFIED:		CHK Seguin, Laurene 2021-06-17									
		APVD Villard, Romain 2021-07-05									
0 PLC ±		PRODUCT SPEC -		NAME WD-1-DP-GR4080							
1 PLC ±1		APPLICATION SPEC -		SIZE A 4		CAGE CODE 00779		DRAWING NO C-1SNP300190-0203		RESTRICTED TO -	
2 PLC ±1		WEIGHT -		CUSTOMER DRAWING							
3 PLC ±1				SCALE 1:1		SHEET 1 OF 1		REV A1			
4 PLC ±1											
ANGLES ±											