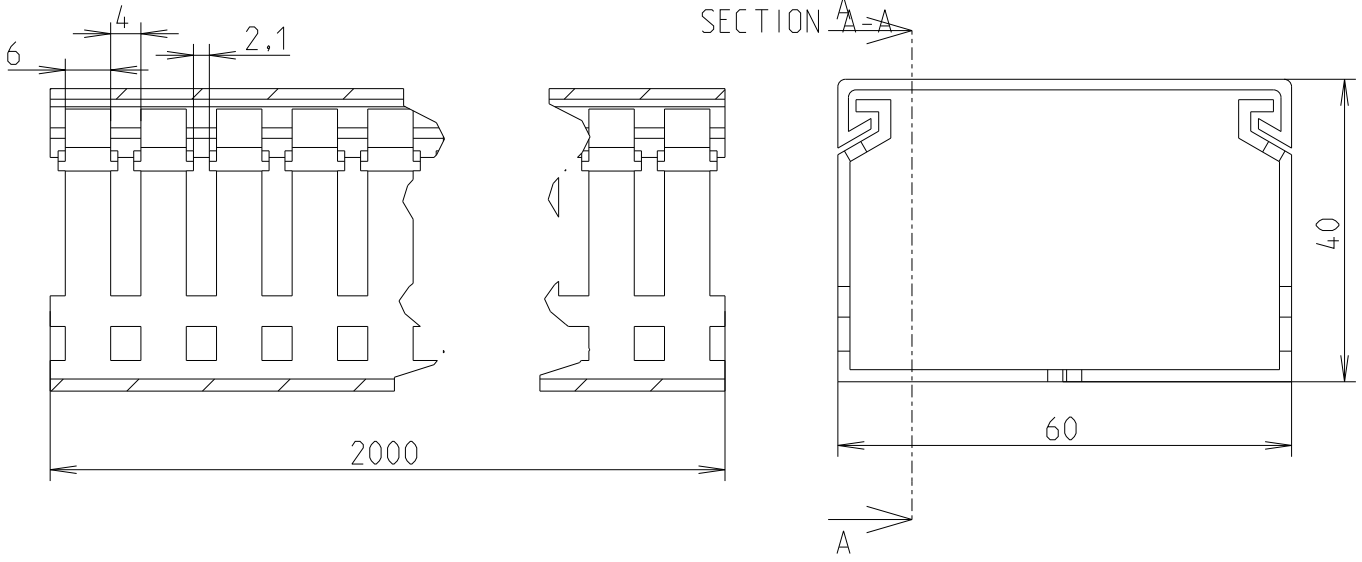
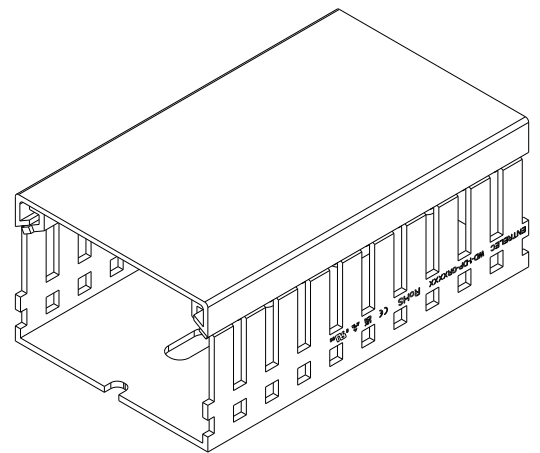
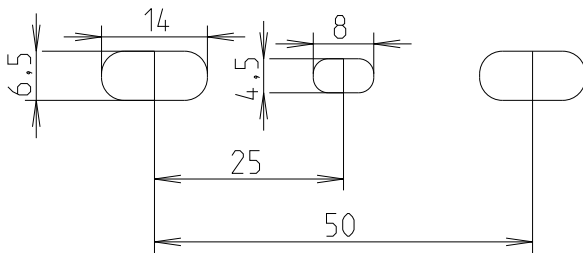


| REVISIONS | | | | | |
|-----------|-----|---------------|-----------|-----|------|
| P | LTR | DESCRIPTION | DATE | DWN | APVD |
| | A | First release | 17JUN2021 | SL | VR |
| | | | | | |
| | | | | | |



SCALE 1:1



© 2021 TE Connectivity. All Rights Reserved.

1SET411017R0000
PART NO.

| | | | | | |
|--|---|-----------|-------|---------------|-------------------|
| DIMENSIONS: mm | DWN 13-Sep-21 03:44:58 PM Deligny, Charlotte | MATERIAL | PVC | FINISH | - |
| | CHK Seguin, Laurene 2021-06-17 | | | | |
| TOLERANCES UNLESS OTHERWISE SPECIFIED: | APVD Villard, Romain 2021-07-05 | | | | |
| 0 PLC ± | PRODUCT SPEC | - | - | RESTRICTED TO | - |
| 1 PLC ±1 | APPLICATION SPEC | - | - | - | - |
| 2 PLC ±1 | WEIGHT | - | - | - | - |
| 3 PLC ±1 | CUSTOMER DRAWING | SCALE | 1:1 | SHEET | 1 OF 1 |
| 4 PLC ±1 | | SIZE | A 4 | DRAWING NO | C=1SNP300190-0301 |
| ANGLES ± | | CAGE CODE | 00779 | REV | A1 |