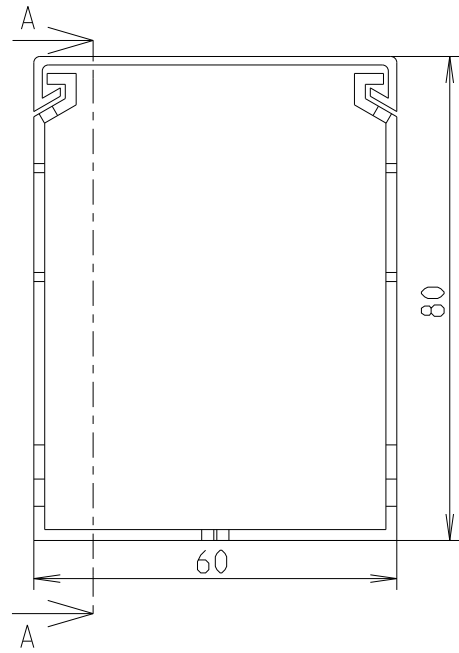
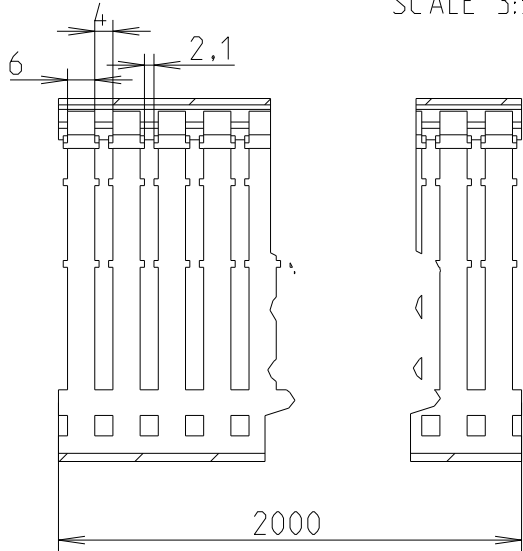
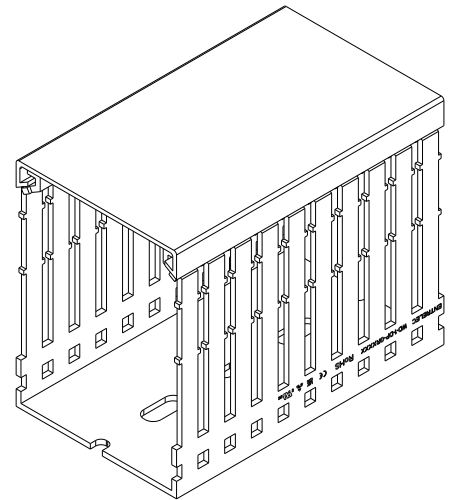
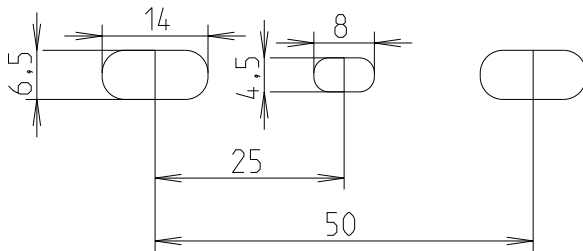


REVISIONS					
P	LTR	DESCRIPTION	DATE	DWN	APVD
	A	First release	17JUN2021	SL	VR

SECTION A-A
SCALE 3:5



SCALE 1:1



© 2021 TE Connectivity. All Rights Reserved.

1SET411019R0000

PART NO.

DIMENSIONS: mm	DWN 13-Sep-21 03:44:58 PM Deligny, Charlotte	MATERIAL	PVC	FINISH	-	
	CHK Seguin, Laurene 2021-06-17					
TOLERANCES UNLESS OTHERWISE SPECIFIED:	APVD Villard, Romain 2021-07-05					
0 PLC ±	PRODUCT SPEC	NAME	WD-1-DP-GR6080			
1 PLC ±1	-	APPLICATION SPEC	SIZE	CAGE CODE	DRAWING NO	RESTRICTED TO
2 PLC ±1	-	WEIGHT	A 4	00779	©-1SNP300190-0303	-
3 PLC ±1	-	CUSTOMER DRAWING	SCALE	SHEET	REV	
4 PLC ±1	-		1:1	1 OF 1	A1	
ANGLES ±						