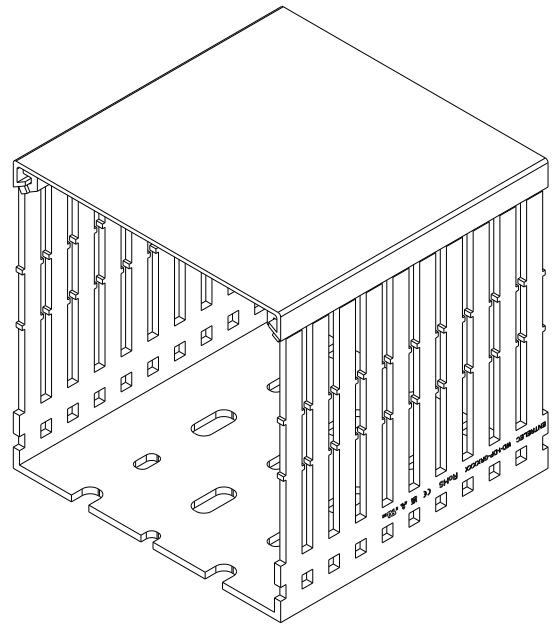
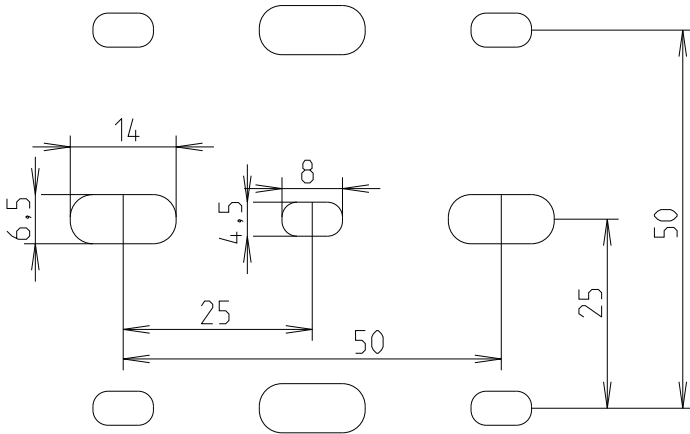
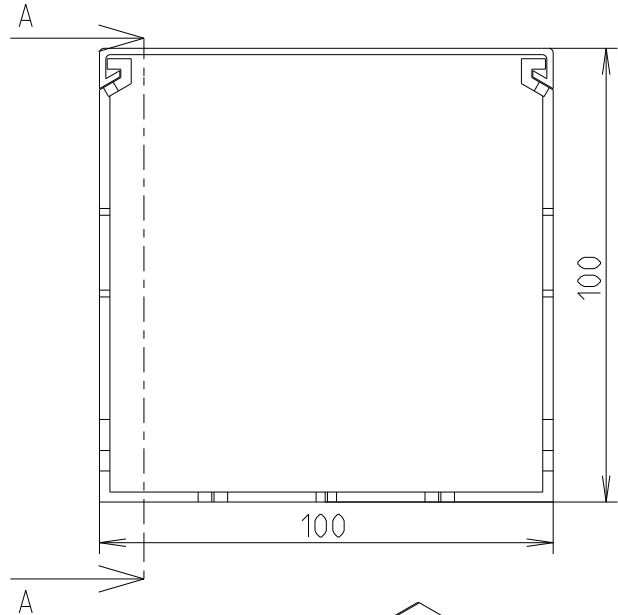
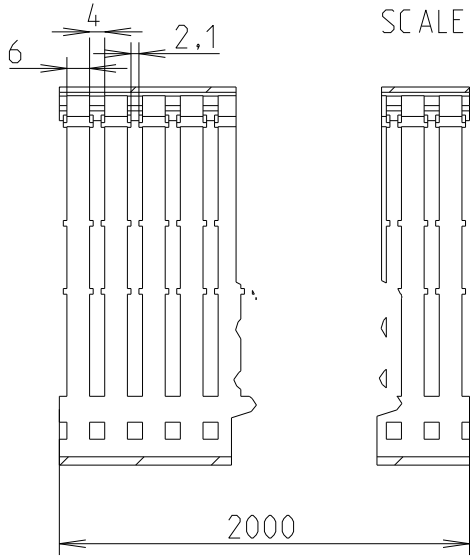


REVISIONS					
P	LTR	DESCRIPTION	DATE	DWN	APVD
	A	First release	17JUN2021	SL	VR

SECTION A-A
SCALE 1:2



© 2021 TE Connectivity. All Rights Reserved.

1SET411001R0000

PART NO.

DIMENSIONS: mm	DWN 13-Sep-21 03:44:58 PM Deligny, Charlotte	MATERIAL	PVC	FINISH	-
	CHK Seguin, Laurene 2021-06-17				
TOLERANCES UNLESS OTHERWISE SPECIFIED:	APVD Villard, Romain 2021-07-05				
0 PLC ±	PRODUCT SPEC	NAME	WD-1-DP-GR1001		
1 PLC ±1	-	APPLICATION SPEC	-		
2 PLC ±1	-	SIZE	CAGE CODE	DRAWING NO	RESTRICTED TO
3 PLC ±1	-	A 4	00779	C=1SNP300190-0500	-
4 PLC ±1	WEIGHT	-			
ANGLES ±	CUSTOMER DRAWING	SCALE	1:1	SHEET	1 OF 1
				REV	A1