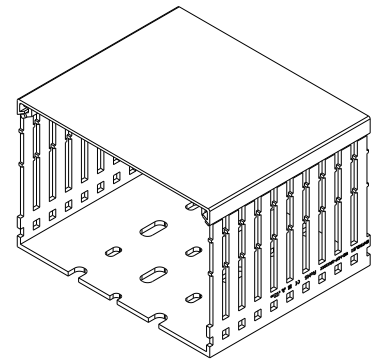
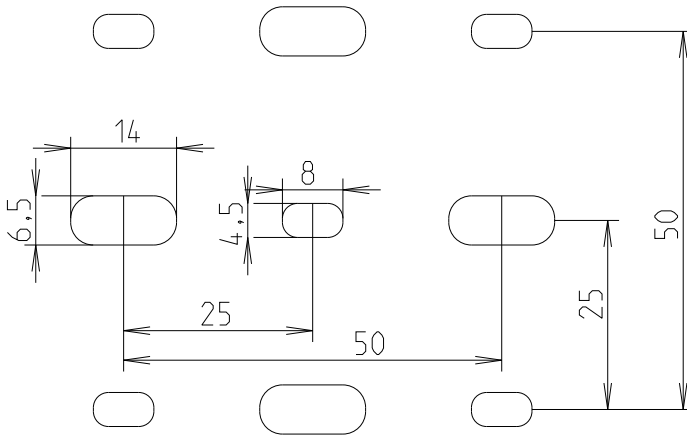
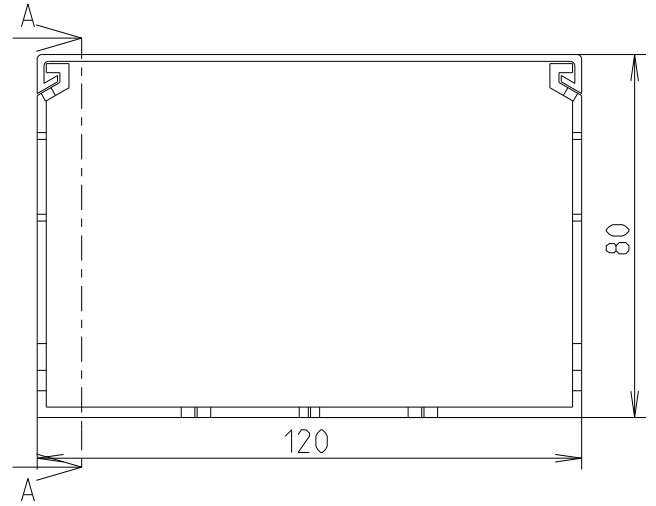
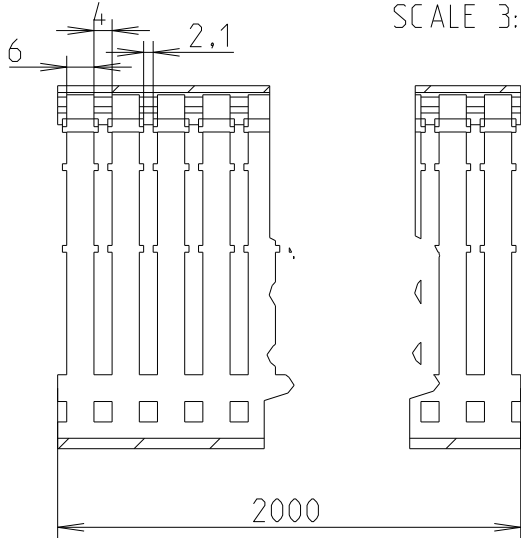


| REVISIONS | | | | | |
|-----------|-----|---------------|-----------|-----|------|
| P | LTR | DESCRIPTION | DATE | DWN | APVD |
| | A | First release | 17JUN2021 | SL | VR |
| | | | | | |
| | | | | | |

SECTION A-A
SCALE 3:5



© 2021 TE Connectivity. All Rights Reserved.

1SET411006R0000

PART NO.

| | | | | | |
|--|---|------------------|-----------|-------------------|---------------|
| DIMENSIONS: mm | DWN 13-Sep-21 03:44:58 PM Deligny, Charlotte | MATERIAL | PVC | FINISH | - |
| | CHK 2021-06-17 Seguin, Laurene | | | | |
| TOLERANCES UNLESS OTHERWISE SPECIFIED: | APVD 2021-07-05 Villard, Romain | | | | |
| 0 PLC ± | PRODUCT SPEC | SIZE | CAGE CODE | DRAWING NO | RESTRICTED TO |
| 1 PLC ±1 | - | A 4 | 00779 | ©=1SNP300190-0602 | - |
| 2 PLC ±1 | APPLICATION SPEC | CUSTOMER DRAWING | | | |
| 3 PLC ±1 | - | SCALE | 1:1 | SHEET | 1 OF 1 |
| 4 PLC ±1 | WEIGHT | - | | REV | A1 |
| ANGLES ± | - | | | | |