

4

3

2

1

THIS DRAWING IS UNPUBLISHED.

RELEASED FOR PUBLICATION

© COPYRIGHT BY TYCO ELECTRONICS CORPORATION. ALL RIGHTS RESERVED.

LDC

DIST

REVISIONS

GA

1

P

LTR

DESCRIPTION

DATE

DWN

APVD

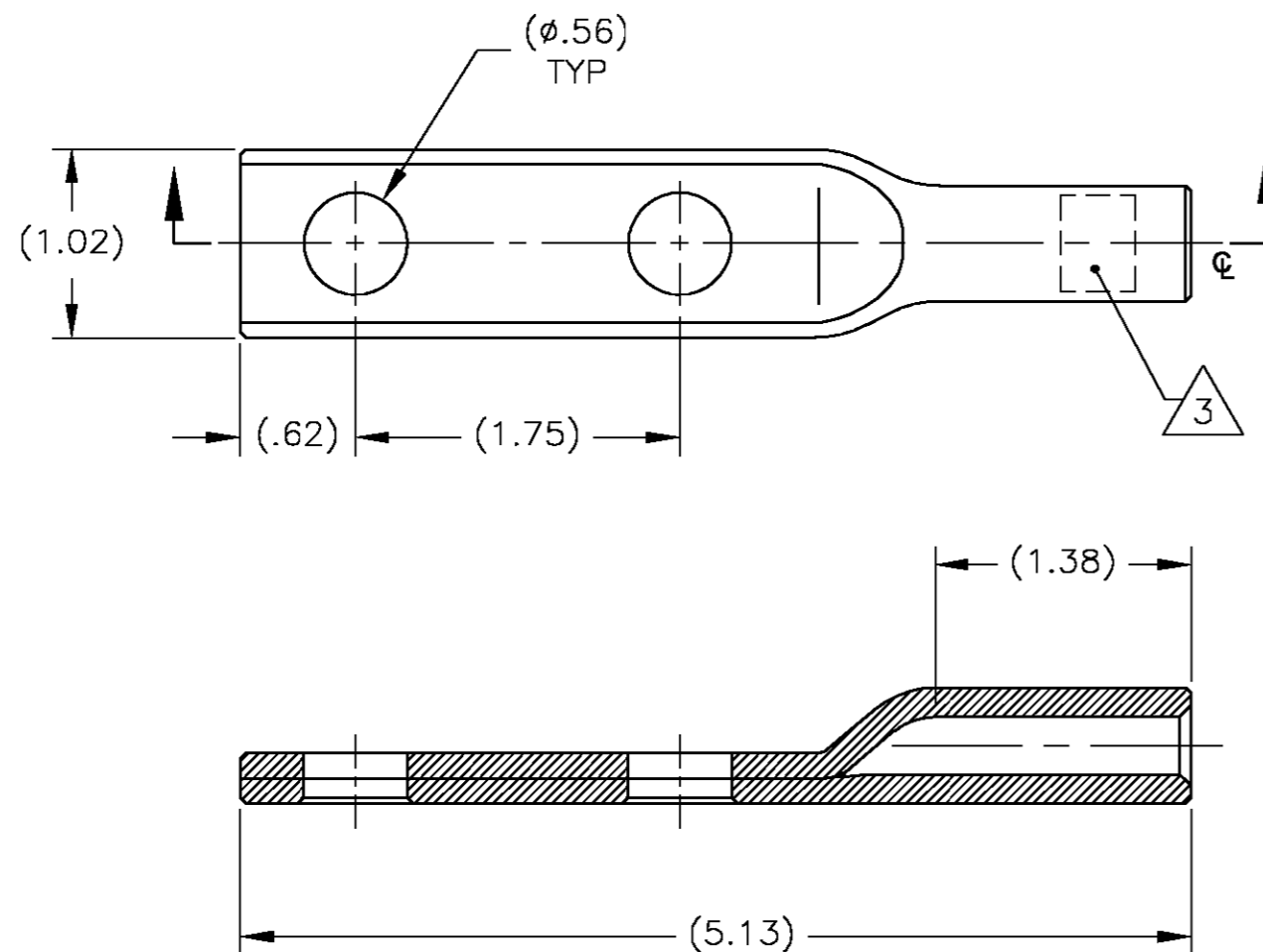
0

INITIAL REL. PER LC20-0011-07

27DEC06

DM

BJ



MATERIAL:
ETP COPPER ALLOY.

2.

ACCOMMODATES:
#2 AWG STD STR (.292 DIA.) COPPER
CONDUCTORS.



MARKING:

TYCO 2-1199648-4
CKLL22NTN
2 AWG
CSA 22 CU
[D/C]



FINISH:
ELECTRO-TIN PLATED.

5.

ALL DIMENSIONS ARE FOR REFERENCE
ONLY.

L877	CKLL22NTN	2-1199648-4
------	-----------	-------------

OH SPEC.	CAT. P/N	TYCO P/N
----------	----------	----------

THIS DRAWING IS A CONTROLLED DOCUMENT.		DWN D. MURUGIAH 27DEC2006	Tyco Electronics Corporation Markham, ON L3R-1E1													
DIMENSIONS: INCHES		CHK A. BULZA 06JAN2007	APVD B. JOHNSON 08JAN2007													
TOLERANCES UNLESS OTHERWISE SPECIFIED:		NAME COPPER COMPRESSION LUG TERMINAL, 2 HOLE PAD, SHORT BARREL, TIN PLATED, #2 AWG STD STR COPPER CONDUCTORS														
<table border="0"> <tr><td>0 PLC</td><td>±</td></tr> <tr><td>1 PLC</td><td>±</td></tr> <tr><td>2 PLC</td><td>±</td></tr> <tr><td>3 PLC</td><td>±</td></tr> <tr><td>4 PLC</td><td>±</td></tr> <tr><td>ANGLES</td><td>±</td></tr> </table>		0 PLC	±	1 PLC	±	2 PLC	±	3 PLC	±	4 PLC	±	ANGLES	±	PRODUCT SPEC —		
0 PLC	±															
1 PLC	±															
2 PLC	±															
3 PLC	±															
4 PLC	±															
ANGLES	±															
MATERIAL		APPLICATION SPEC —														
FINISH		WEIGHT —														
<table border="0"> <tr><td>1</td></tr> </table>		1	<table border="0"> <tr><td>4</td></tr> </table>			4										
1																
4																
CUSTOMER DRAWING		SIZE A3	CAGE CODE 00779	DRAWING NO C-2-1199648-4												
SCALE NTS		SHEET 1 OF 1		REV 0												