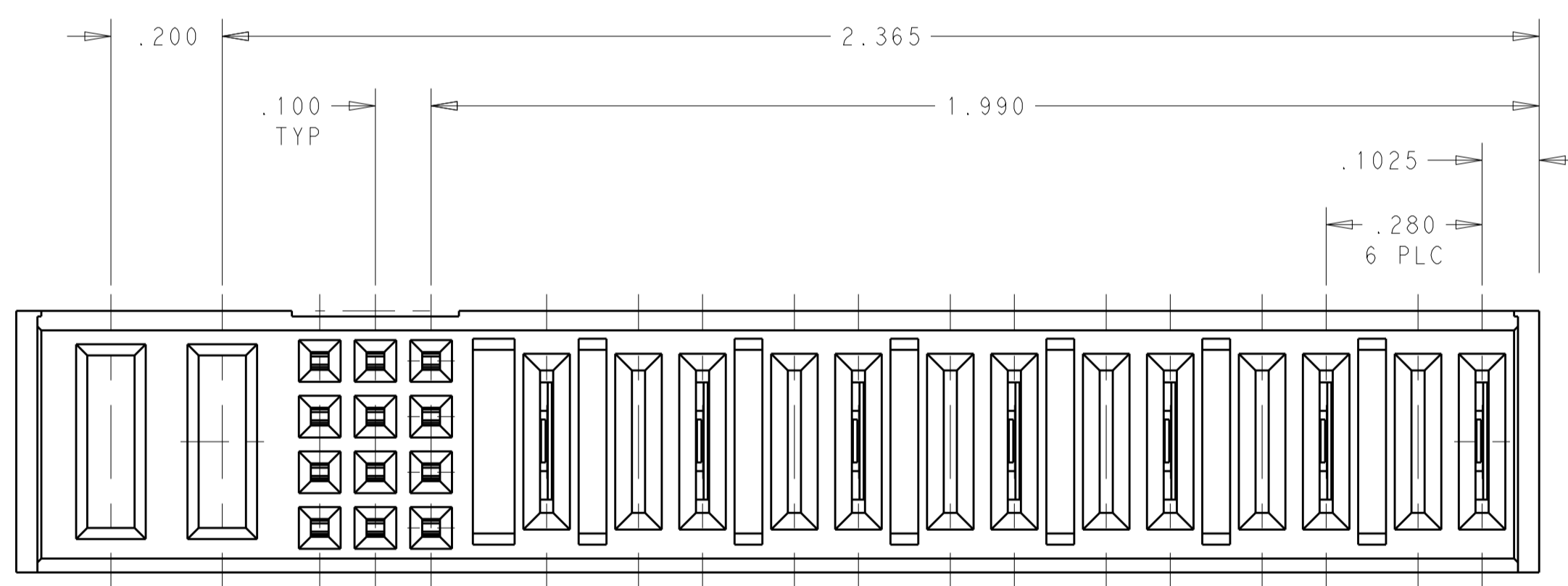
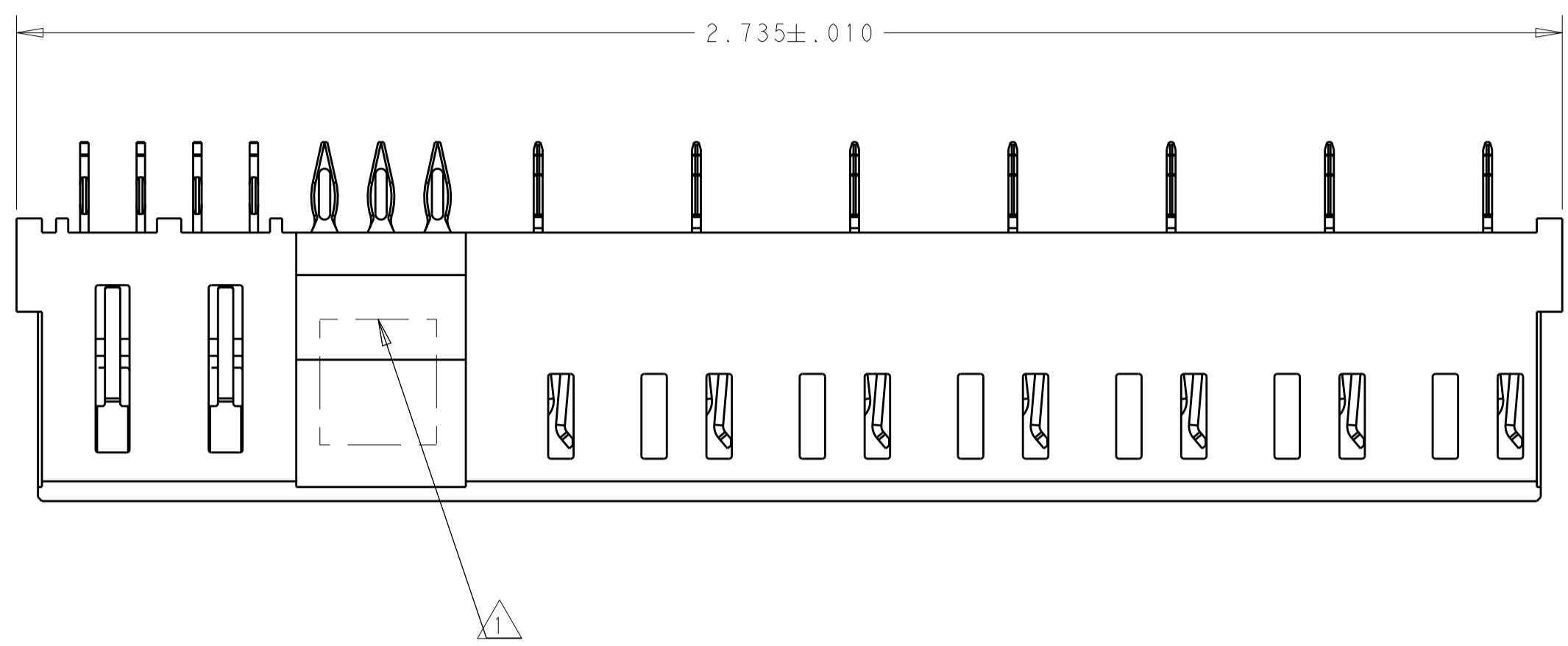
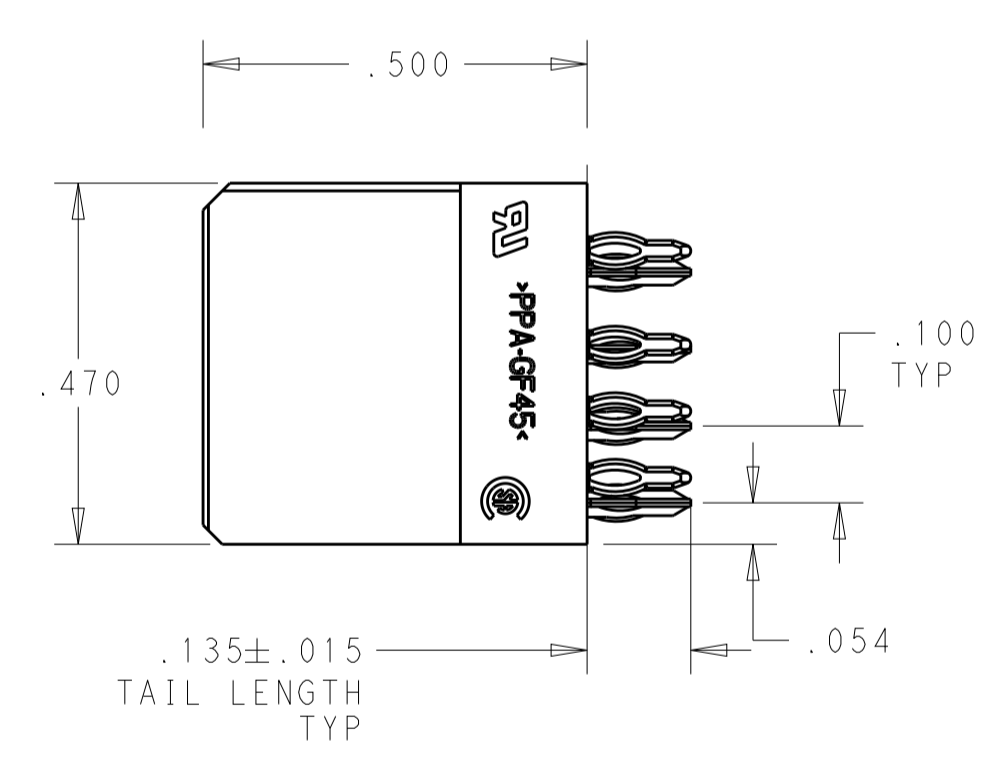


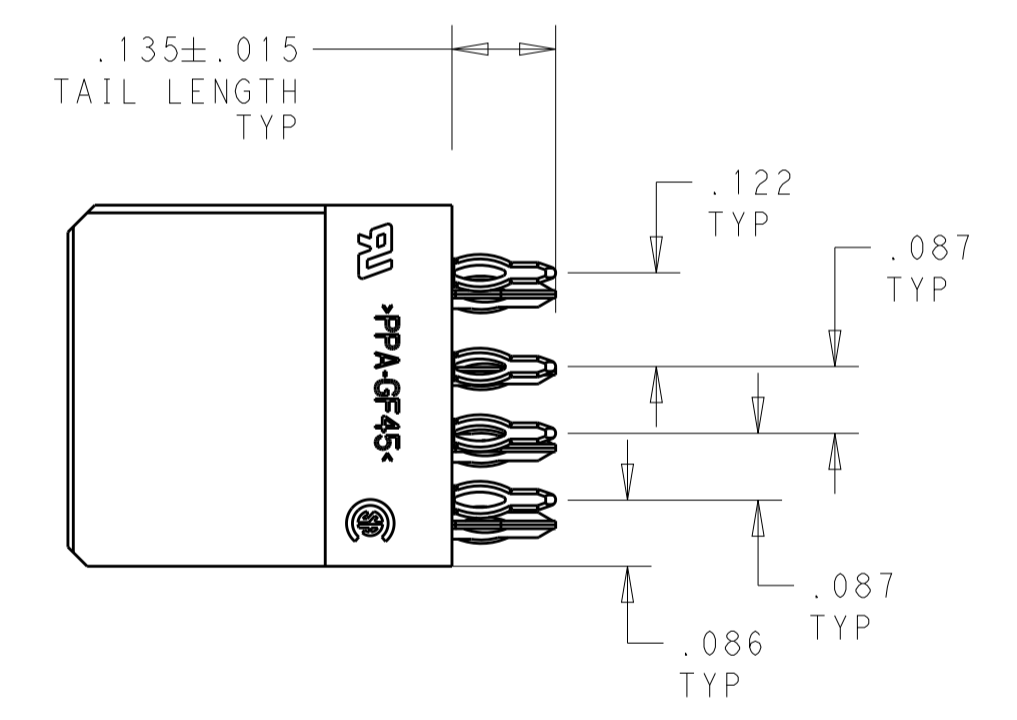
REVISIONS					
P.	LTN	DESCRIPTION	DATE	DWN	APVD
1		INITIAL RELEASE	12JUN2016	CZ	SZ



- 1 "AMP", PART NUMBER, AND DATECODE TO BE MARKED IN AREA SHOWN. PARTS UNDER 2.00 LONG MAY BE MARKED ON BOTH SIDES.
- 2 MATERIAL:  
HOUSING - GLASS FILLED HIGH TEMP THERMO PLASTIC, BLACK, UL94 V-0  
SIGNAL CONTACT - COPPER ALLOY  
POWER CONTACT - HIGH CONDUCTIVITY COPPER ALLOY
- 3 CONTACT PLATING: NOBLE METAL PLATING ON CONTACT FUNCTIONAL AREA OF POWER AND SIGNAL CONTACTS.
- 4 MECHANICAL CONNECTOR KEEP OUT ZONE.
- 5 DATUM AND BASIC DIMENSIONS ESTABLISHED BY CUSTOMER.
- 6 PCB - HOLE DIAMETERS ARE FINISHED HOLE SIZE.
- 7 PCB - .0453 ± .0010 DRILLED HOLES PLATED WITH .0003 MIN Sn OVER .001 TO .003 Cu PLATING TO ACHIEVE A .040 ± .003 HOLE.



POWER AND SIGNAL PINS



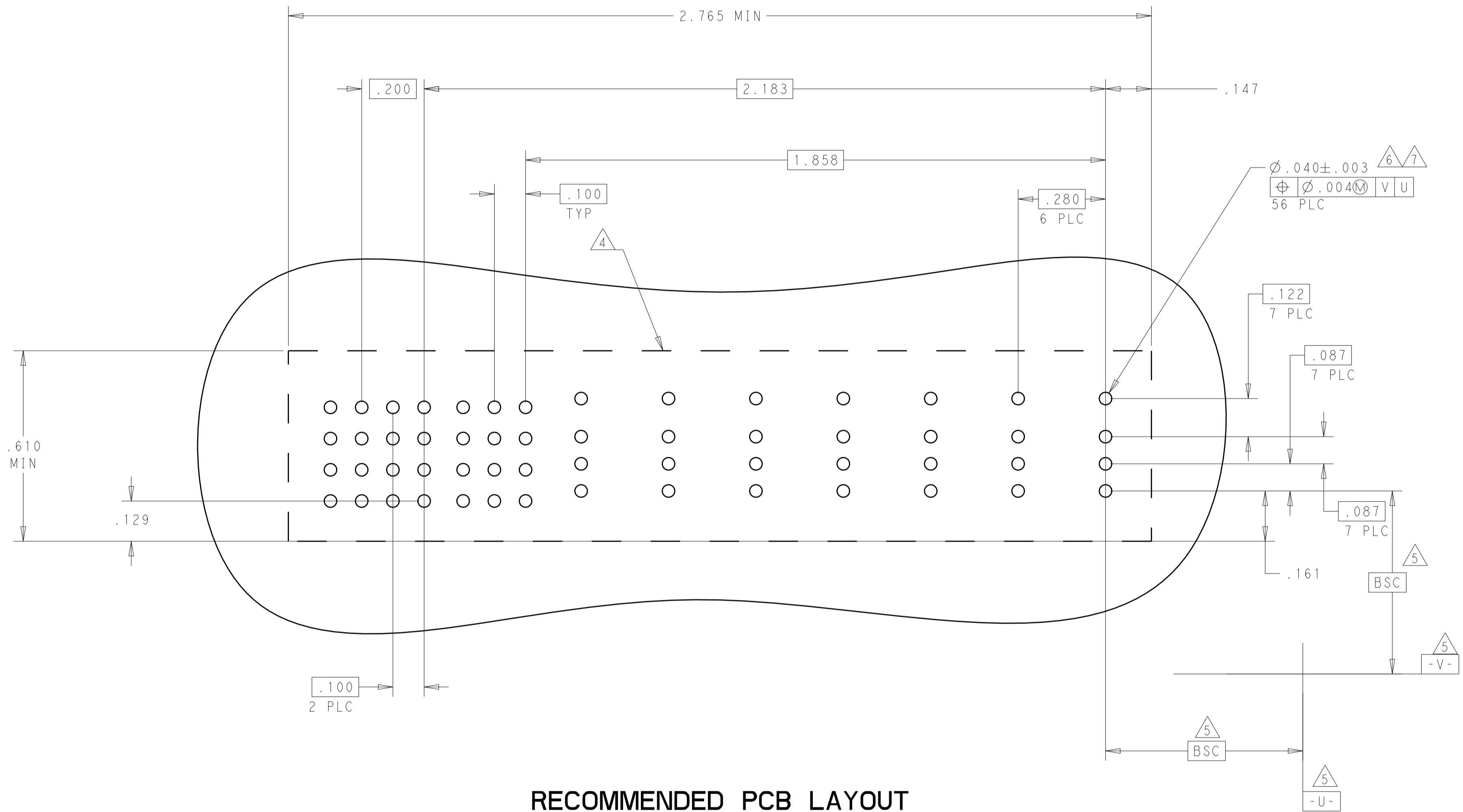
LOW POWER PINS

PROPOSAL ONLY

THIS DRAWING IS A CONTROLLED DOCUMENT.		DWN C. ZHOU 12JUN2016	12JUN2016	13LP+12S+2P		2-6450869-7
DIMENSIONS: INCHES		CHK C. ZHOU 12JUN2016	12JUN2016	DESCRIPTION		PART NUMBER
TOLERANCES UNLESS OTHERWISE SPECIFIED:		APVD S. ZHAO 12JUN2016	12JUN2016	NAME		TE Connectivity
0 PLC ±		PRODUCT SPEC		VERTICAL RECEPTACLE, PRESS FIT		
2 PLC ±		108-2292		MULTI-BEAM XLE		
3 PLC ±.005		APPLICATION SPEC		-		
4 PLC ±.0020		114-13251		SIZE		CAGE CODE DRAWING NO
ANGLES ±.7°		WEIGHT		A100779		RESTRICTED TO
MATERIAL		CUSTOMER DRAWING		SCALE		4:1
FINISH		SHEET		1		OF 2
FINISH		REV		1		

REVISIONS				
P.	LTN.	DESCRIPTION	DATE	APVD.
-		SEE SHEET 1	-	-

PART NUMBER	ROWS	POWER		SIGNAL			POWER															
		P2	P1	3	2	1	LP13	LP12	LP11	LP10	LP9	LP8	LP7	LP6	LP5	LP4	LP3	LP2	LP1			
2-6450869-7	D	GS	GS	AP	AP	AP																
	C			AP	AP	AP	LS1	-	LS1	-	LS1	-	LS1	-	LS1	-	LS1	-	LS1	-	LS1	
	B			AP	AP	AP																
	A			AP	AP	AP																
13LP+12S+2P																						



RECOMMENDED PCB LAYOUT

STD PRESS FIT SIGNAL CONTACT, .135 TAIL LENGTH	AP
STD PRESS FIT POWER CONTACT, .135 TAIL LENGTH	LS1
STD PRESS FIT POWER CONTACT, .135 TAIL LENGTH	GS
DESCRIPTION	IDENTIFIER

THIS DRAWING IS A CONTROLLED DOCUMENT.		DWN	C. ZHOU	12JUN2016	 TE Connectivity			
		CHK	C. ZHOU	12JUN2016				
DIMENSIONS: INCHES		TOLERANCES UNLESS OTHERWISE SPECIFIED:		APVD	S. ZHAO	12JUN2016	NAME	VERTICAL RECEPTACLE, PRESS FIT MULTI-BEAM XLE
		0 PLC	±	PRODUCT SPEC			SIZE	CAGE CODE DRAWING NO
		1 PLC	±	108-2292			RESTRICTED TO	
		2 PLC	±	APPLICATION SPEC				
		3 PLC	±.005	114-13251				
		4 PLC	±.0020	WEIGHT				
		ANGLES	±.0020	FINISH				
				CUSTOMER DRAWING				
				SCALE		4:1	SHEET	2 OF 2
				REV				1