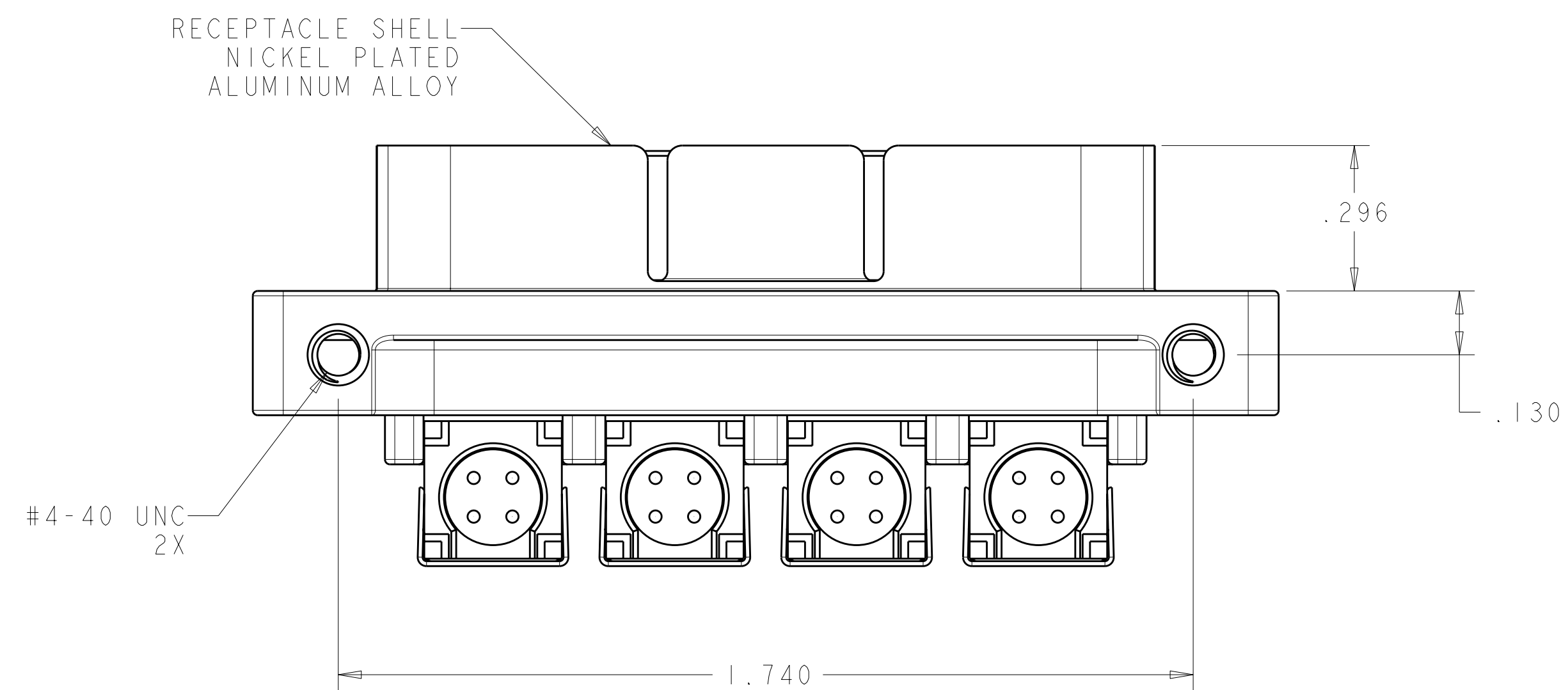
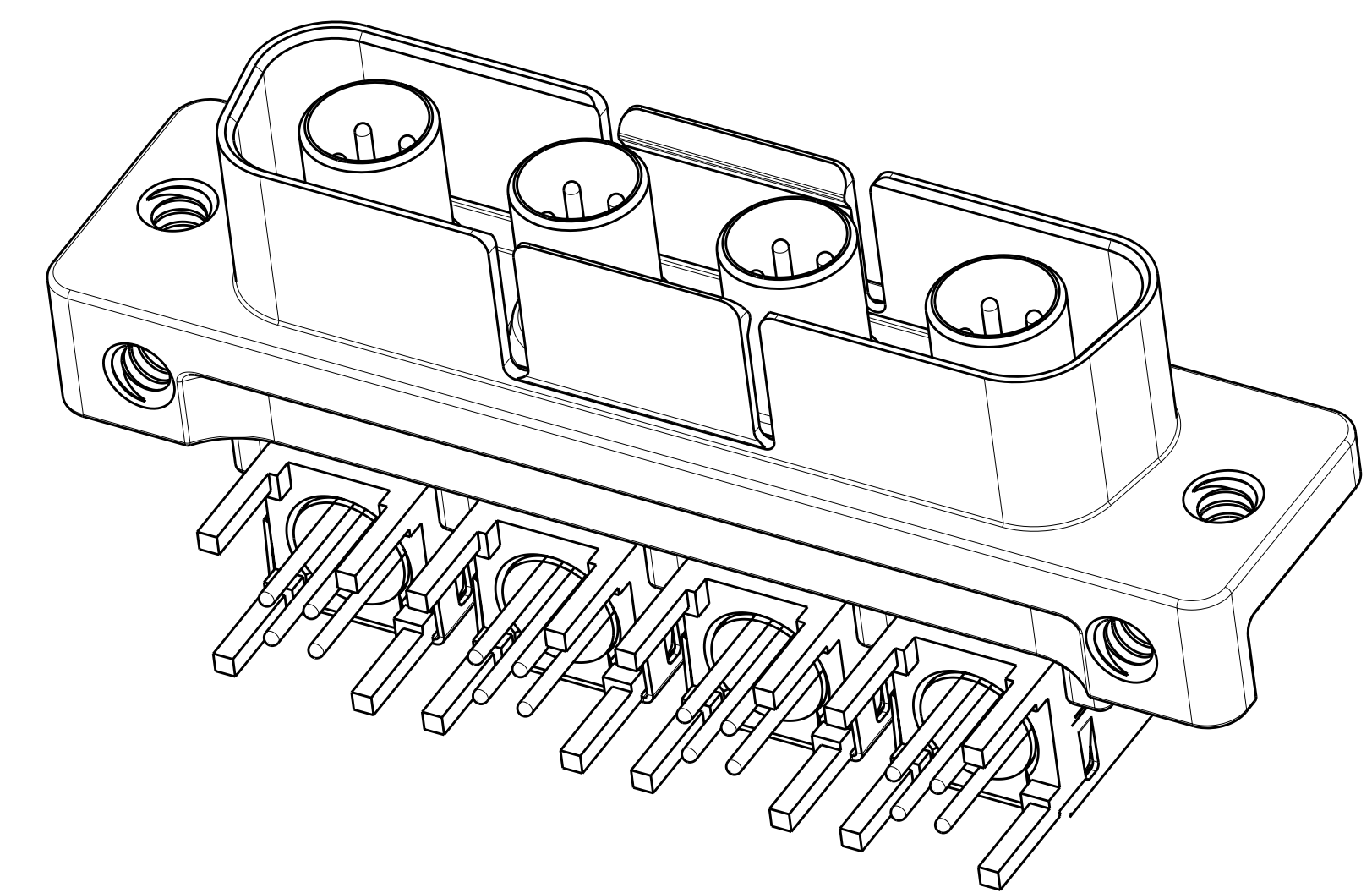
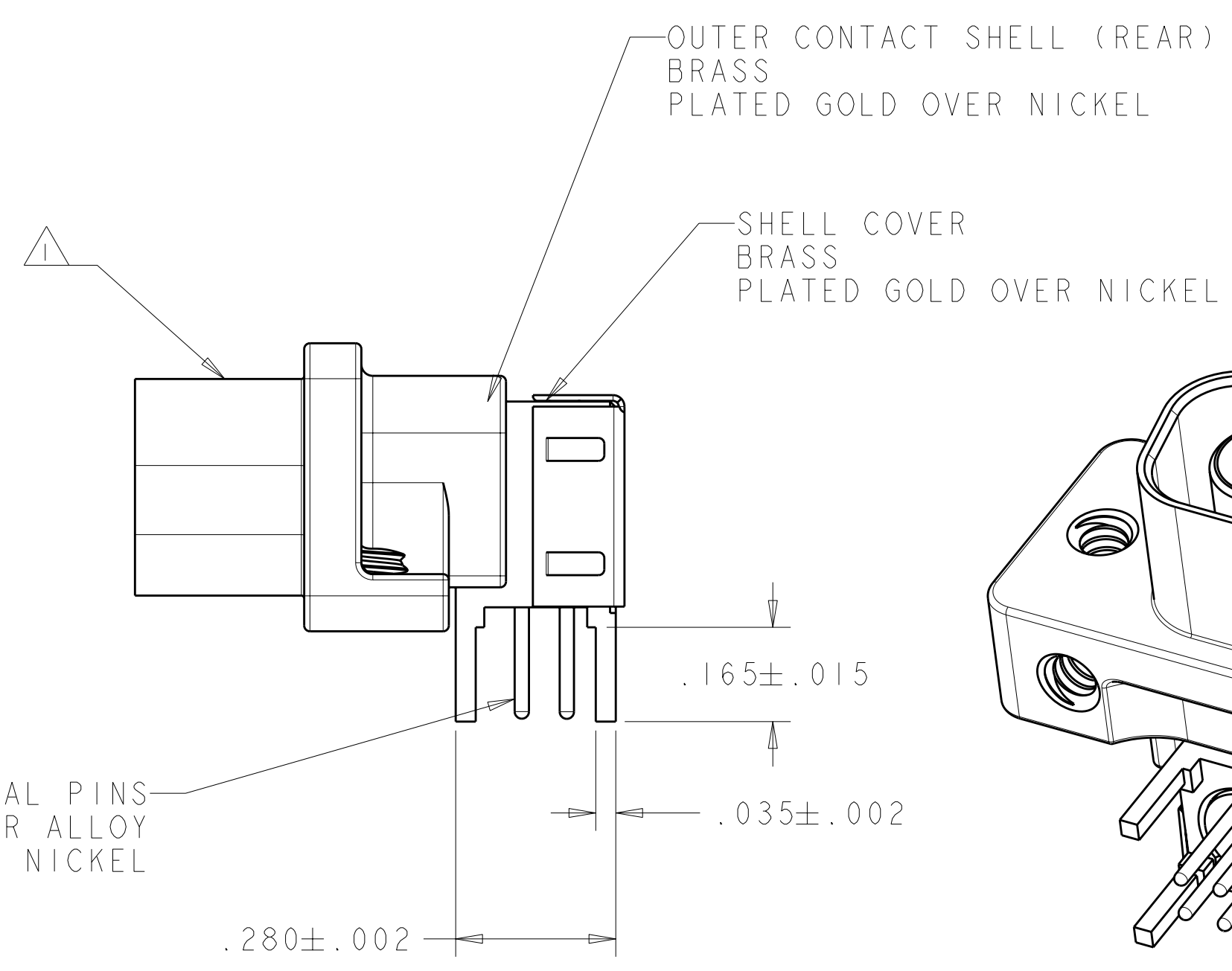
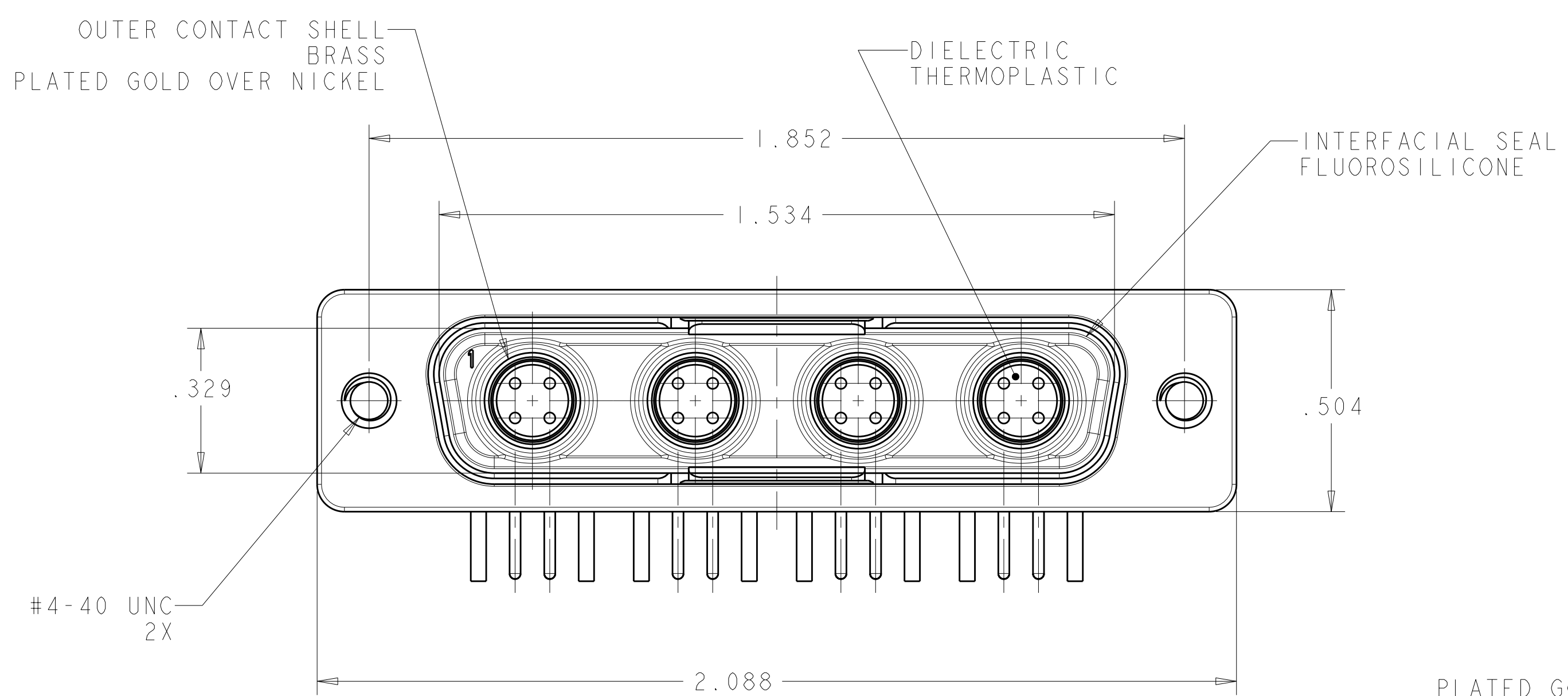
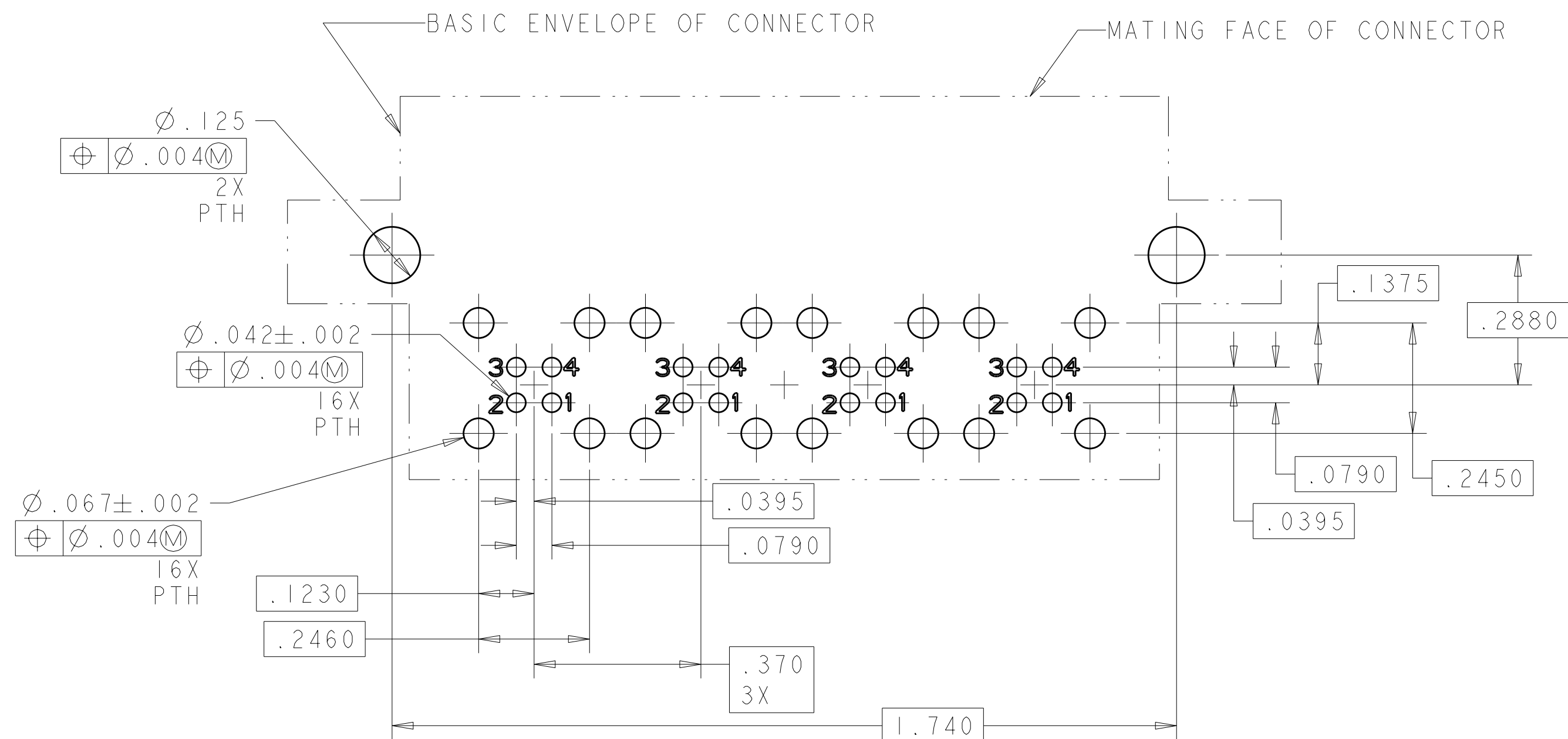


LOC	DIST	REV	DATE	BY	APP'D
-	-	B	2-17-11	CT	DM
-	-	C	09JUN2011	RJM3	DM



△ CONNECTOR IS MARKED WITH TYCO ELECTRONICS PART NUMBER, TYCO ELECTRONICS LOGO, CAGE CODE AND DATE CODE, IN APPROXIMATE AREA SHOWN
 2. OPERATING TEMPERATURE RANGE -65°C TO 125°C (-85°F TO 257°F)



RECOMMENDED PRINTED CIRCUIT BOARD LAYOUT
 CONNECTOR SIDE OF BOARD SHOWN
 SCALE 4:1

W/O INTERFACIAL SEAL	2000314-2
AS SHOWN	2000314-1
DESCRIPTION	PART NUMBER

THIS DRAWING IS A CONTROLLED DOCUMENT.		OWN: D. FABIAN 05JUN2007	TE Connectivity	
DIMENSIONS: IN		CHK: R.P. WALTER 27OCT2009	NAME: ASSEMBLY, RECEPTACLE, LOW PROFILE RETANGULAR QUADRAX 404, SIZE 3 RIGHT ANGLE, PCB MOUNT	
TOLERANCES UNLESS OTHERWISE SPECIFIED:		APVD: B. YOHN 28OCT2009	SIZE: CAGE CODE: DRAWING NO: RESTRICTED TO	
9 PLC ±.01		PRODUCT SPEC: -	A1100779C=2000314	
3 PLC ±.01		APPLICATION SPEC: -	SCALE: 4:1 SHEET 1 OF 1 REV C	
5 PLC ±.005		WEIGHT: -		
4 PLC ±.005		CUSTOMER DRAWING		
ANGLES: #1				
FINISH: SEE CALL OUT				