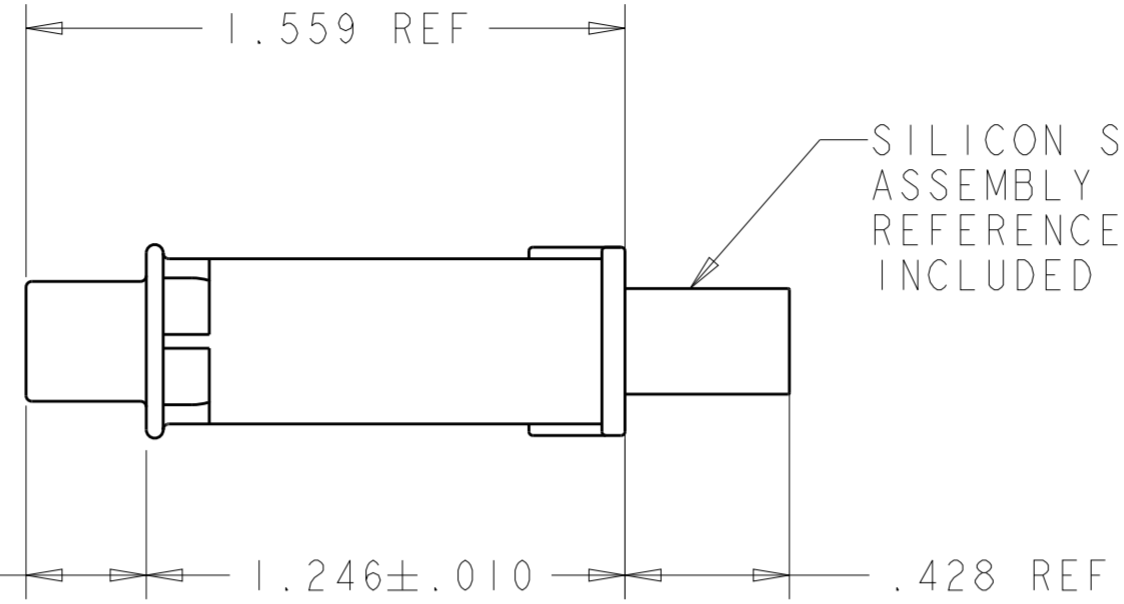
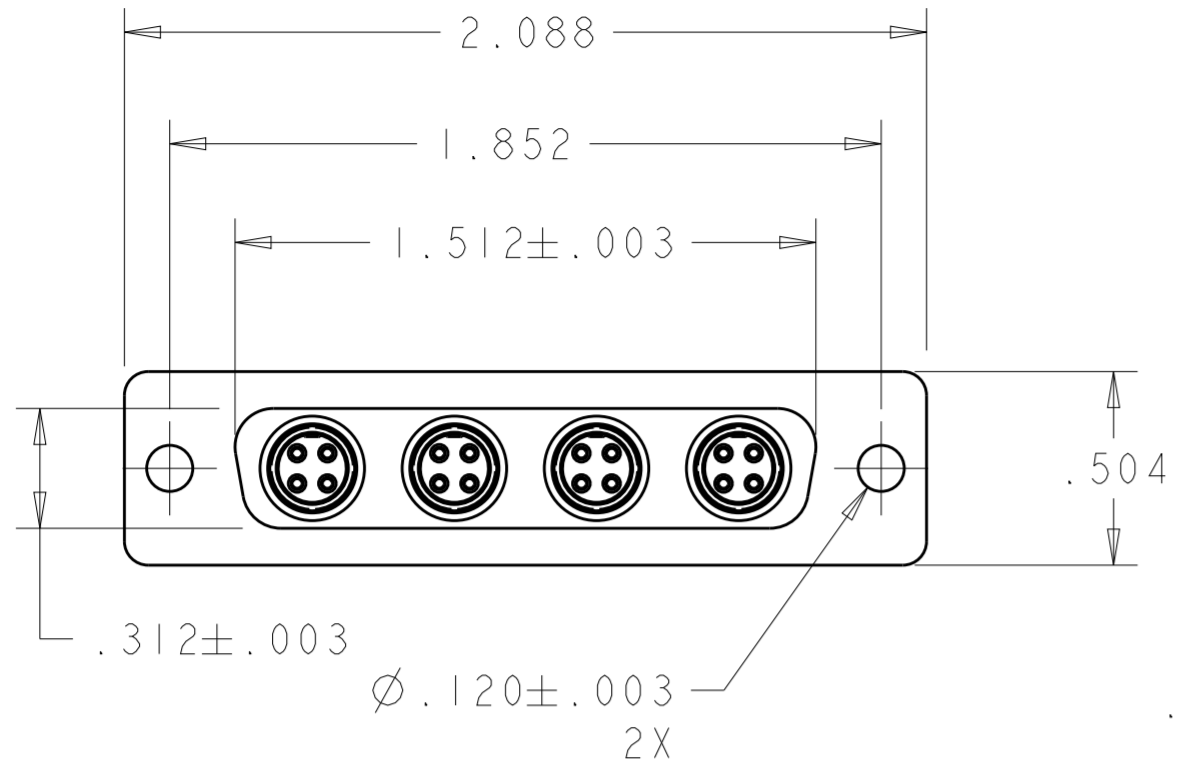
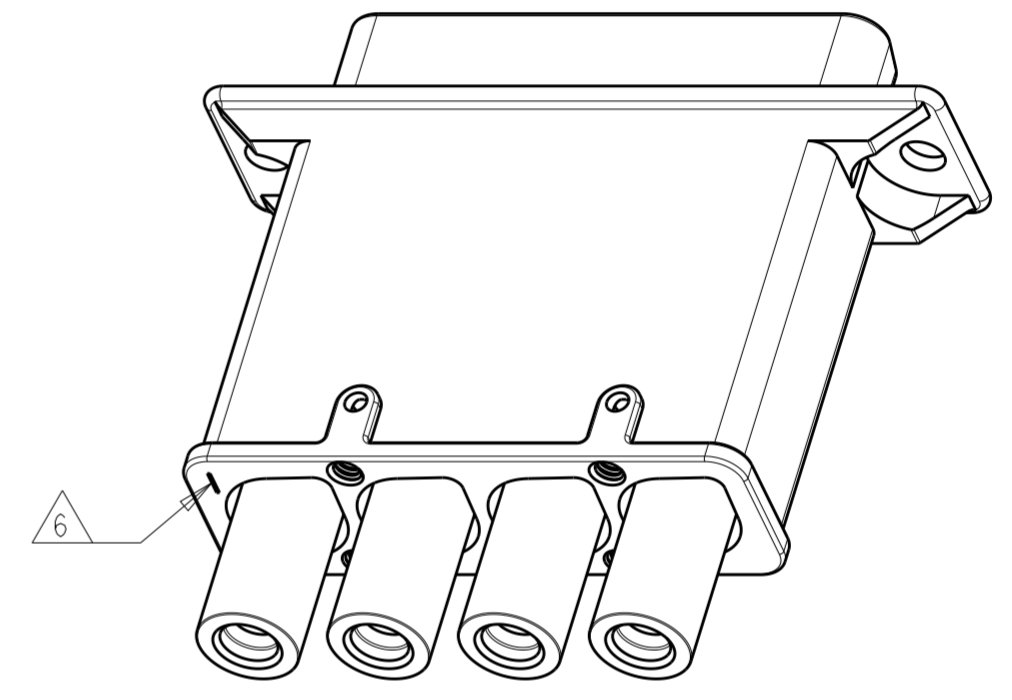
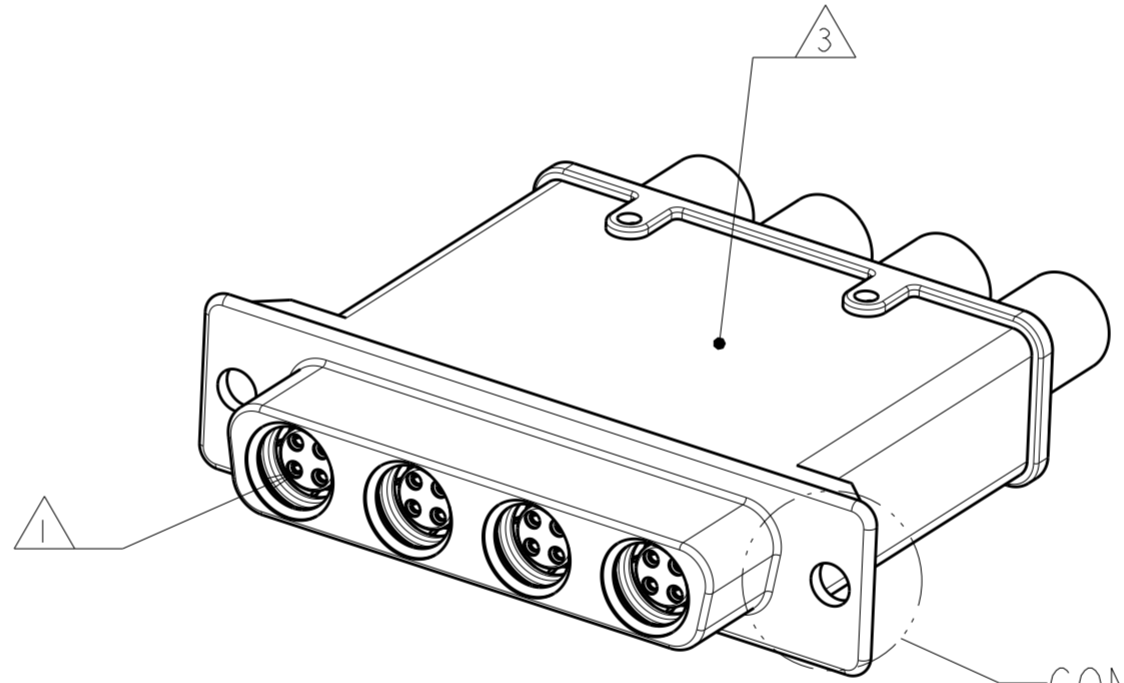
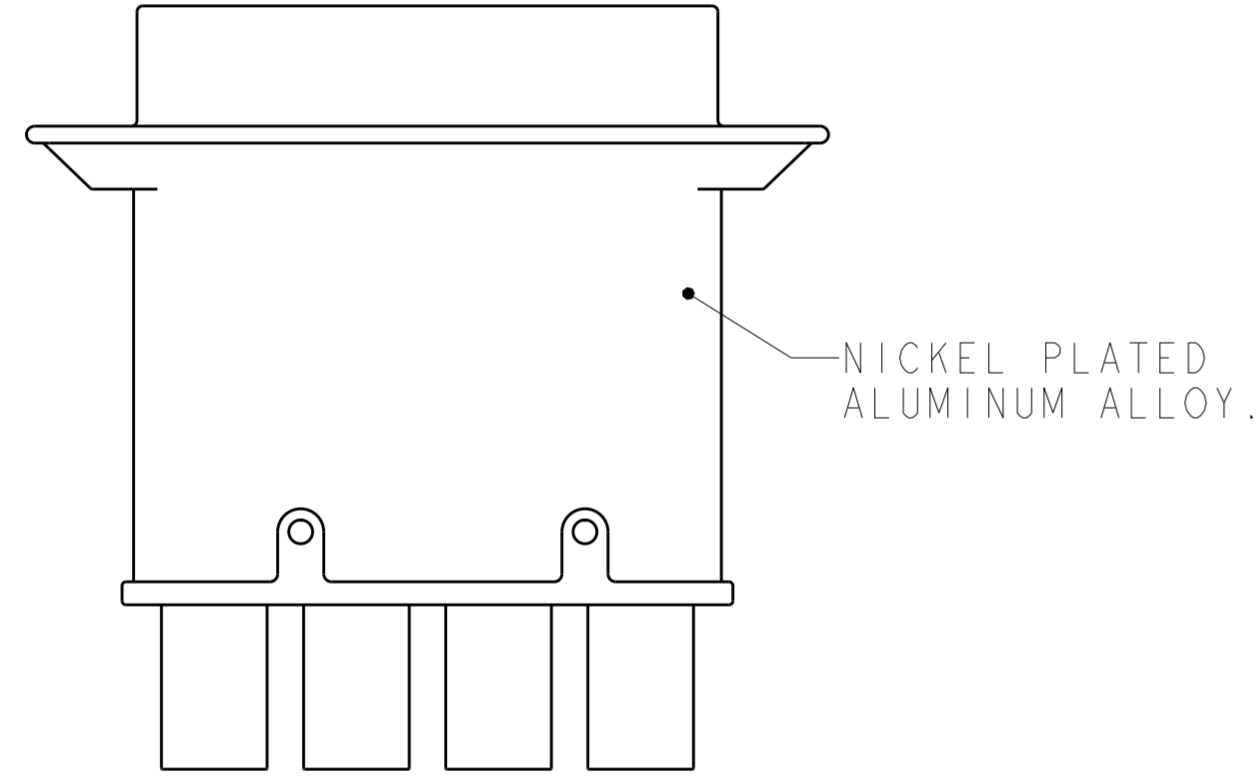


THIS DRAWING IS UNPUBLISHED. RELEASED FOR PUBLICATION 20
 © COPYRIGHT 20 BY - ALL RIGHTS RESERVED.

REVISIONS					
P	LTR	DESCRIPTION	DATE	DWN	APVD
	C	REV. PER ECO 16-017497	12-6-16	CT	DM



SILICON SEAL BOOT 4 PLC, ASSEMBLY SHOWN FOR REFERENCE, BOOTS ARE INCLUDED IN KIT.



CONTACT TYCO ELECTRONICS FOR STANDARD HARDWARE FOR CONNECTOR ATTACHMENT

- ① CONNECTOR KIT INCLUDES QUADRAX CONTACTS (TYCO ELECTRONICS PART# 1445693-3, QTY 4) FOR 100Ω CABLE.
- 2. RECOMMENDED CABLES :
 RAYCHEM, CEC-RWC-18687, CEC-RWC-18664
 TENSOLITE, NF24Q100, NF26Q100.
- ③ CONNECTOR IS MARKED WITH TYCO ELECTRONICS PART#, LOGO, CAGE CODE & DATE CODE.
- 4. OPERATING TEMPERATURE RANGE: -65°C TO 125°C (-85°F TO 257°F).
- 5. SILVER PLATED, STAINLESS STEEL RETENTION CLIPS ARE INSTALLED IN THE CONNECTOR.
- ⑥ RECESSED CIRCUIT IDENTIFICATION .007±.003 DEEP, CHARACTER HEIGHT .040±.010.
- ⑦ CONNECTOR KIT INCLUDES QUADRAX CONTACTS (TYCO ELECTRONICS PART #1445693-5, QTY 4) FOR 100Ω CABLE.
- ⑧ RECOMMENDED CABLES:
 DRAKA, F4704-4
 NEXANS, KD24

W/O CONTACTS	2000317-3
⑦ ⑧	2000317-2
① ②	2000317-1
REMARKS	PART NUMBER

THIS DRAWING IS A CONTROLLED DOCUMENT.		DWN 06 JUN 2007 D. FABIAN	TE Connectivity	
DIMENSIONS: INCHES		CHK 27 OCT 2009 R. P. WALTER		
TOLERANCES UNLESS OTHERWISE SPECIFIED:		APVD 28 OCT 2009 B. YOHN	NAME LOW PROFILE RECTANGULAR QUADRAX 404 ASSY, PLUG, SIZE 3	
0 PLC ±- 1 PLC ±.1 2 PLC ±.01 3 PLC ±.005 4 PLC ±.0020 ANGLES ±1° FINISH -		PRODUCT SPEC -	SIZE A200779	DRAWING NO C-2000317
MATERIAL -		APPLICATION SPEC -	RESTRICTED TO -	SCALE 2:1
MATERIAL -		WEIGHT -	CUSTOMER DRAWING	SHEET 1 OF 1 REV C