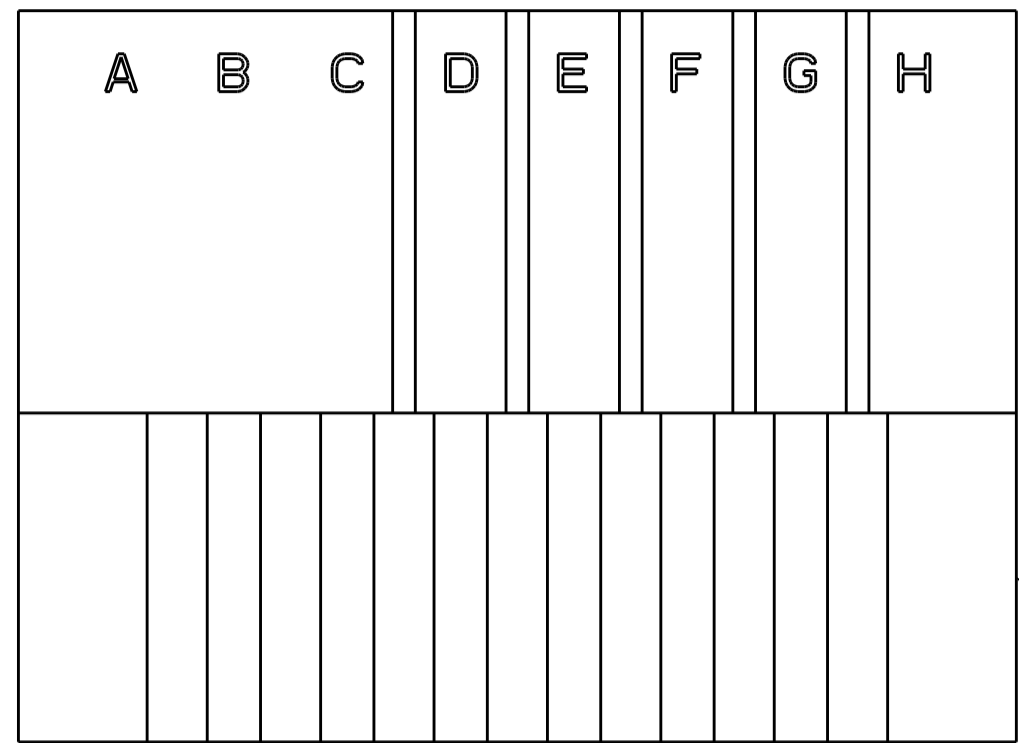
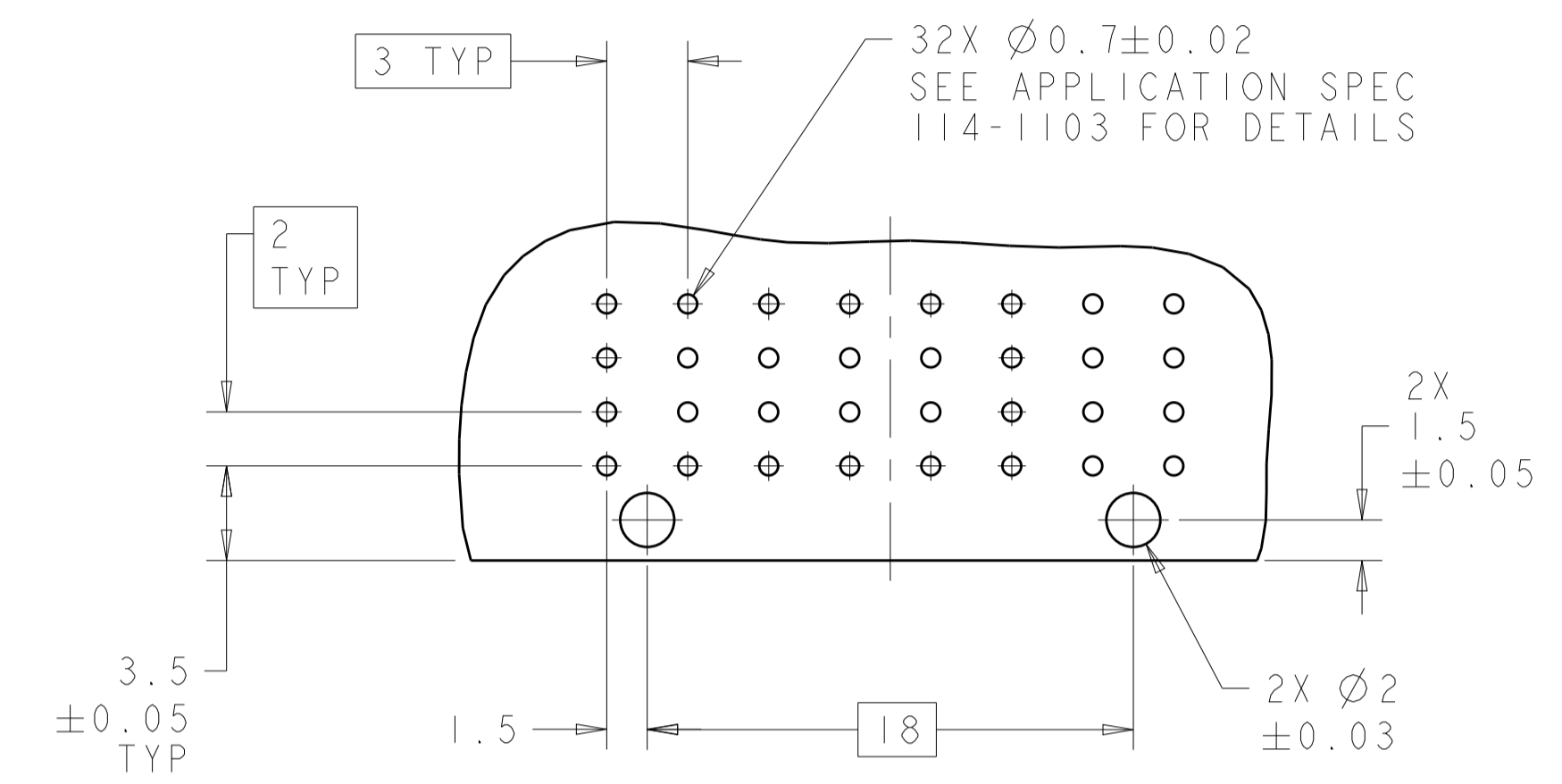


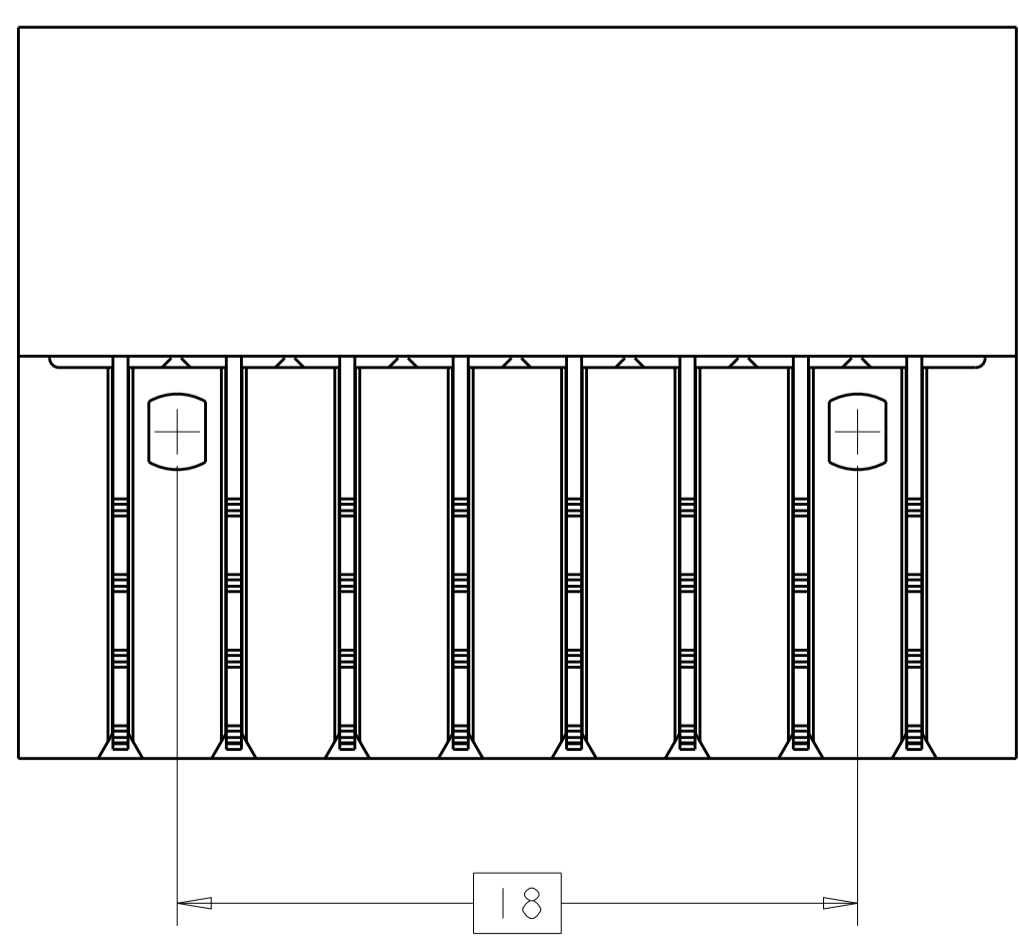
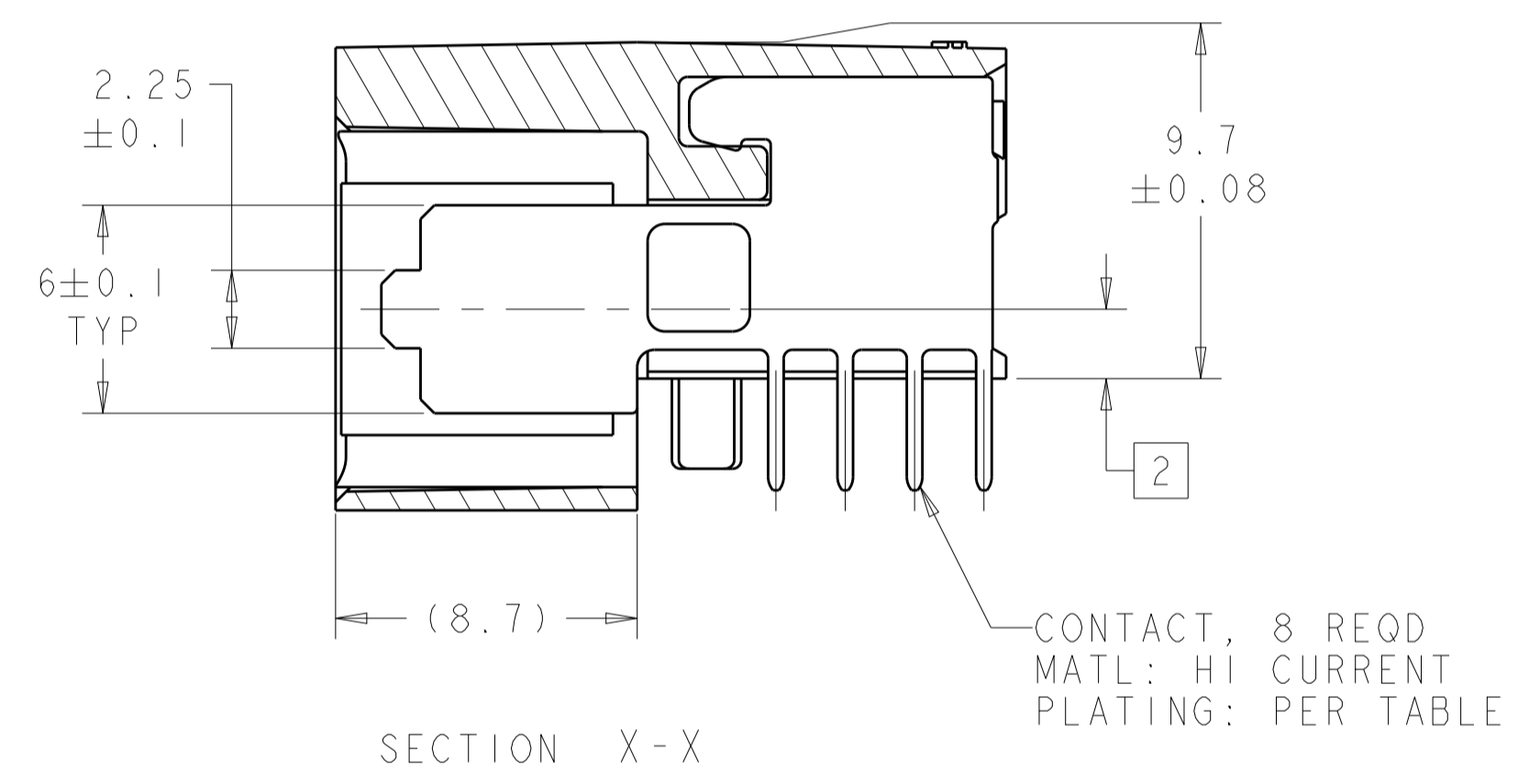
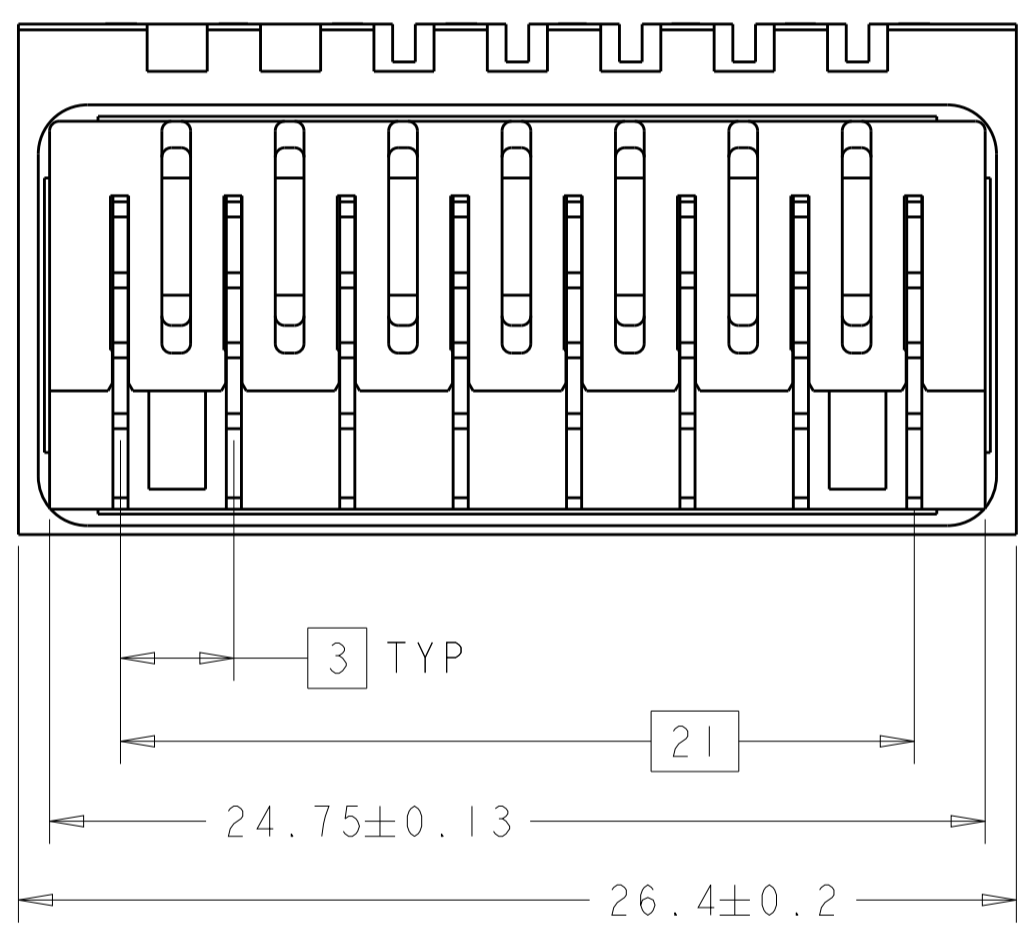
REVISIONS				
P.	LTN	DESCRIPTION	DATE	APVD
A		RELEASED PER ECO-16-008726	01JUN2016	DCB DH



HOUSING
 MATL: GLASS FIBER REINFORCED
 POLYESTER MOLDING COMPOUND
 COLOR: GRAY



CONNECTOR SIDE OF BOARD



RoHS	1.27µm GOLD / TIN	8	2000733-2
NON-RoHS	1.27µm GOLD / TIN-LEAD	8	2000733-1
COMMENTS	CONTACT PLATING	POSN	ASSEMBLY NUMBER

THIS DRAWING IS A CONTROLLED DOCUMENT. DWN: Brent D. Yohm, 23JAN2008. CHK: Chong Yi, 4Dec2009. APVD: Chong Yi, 4Dec2009.

STE TE Connectivity

NAME: ASSY, HEADER, RIGHT ANGLE, 8 POSN, WITH RETENTION PEGS, SHORT SHROUD, UNIVERSAL POWER MODULE

SIZE: A1, CAGE CODE: 2000733, DRAWING NO: 2000733

MATERIAL: - FINISH: - WEIGHT: - CUSTOMER DRAWING: - SCALE: 4:1 SHEET 1 OF 1 REV A