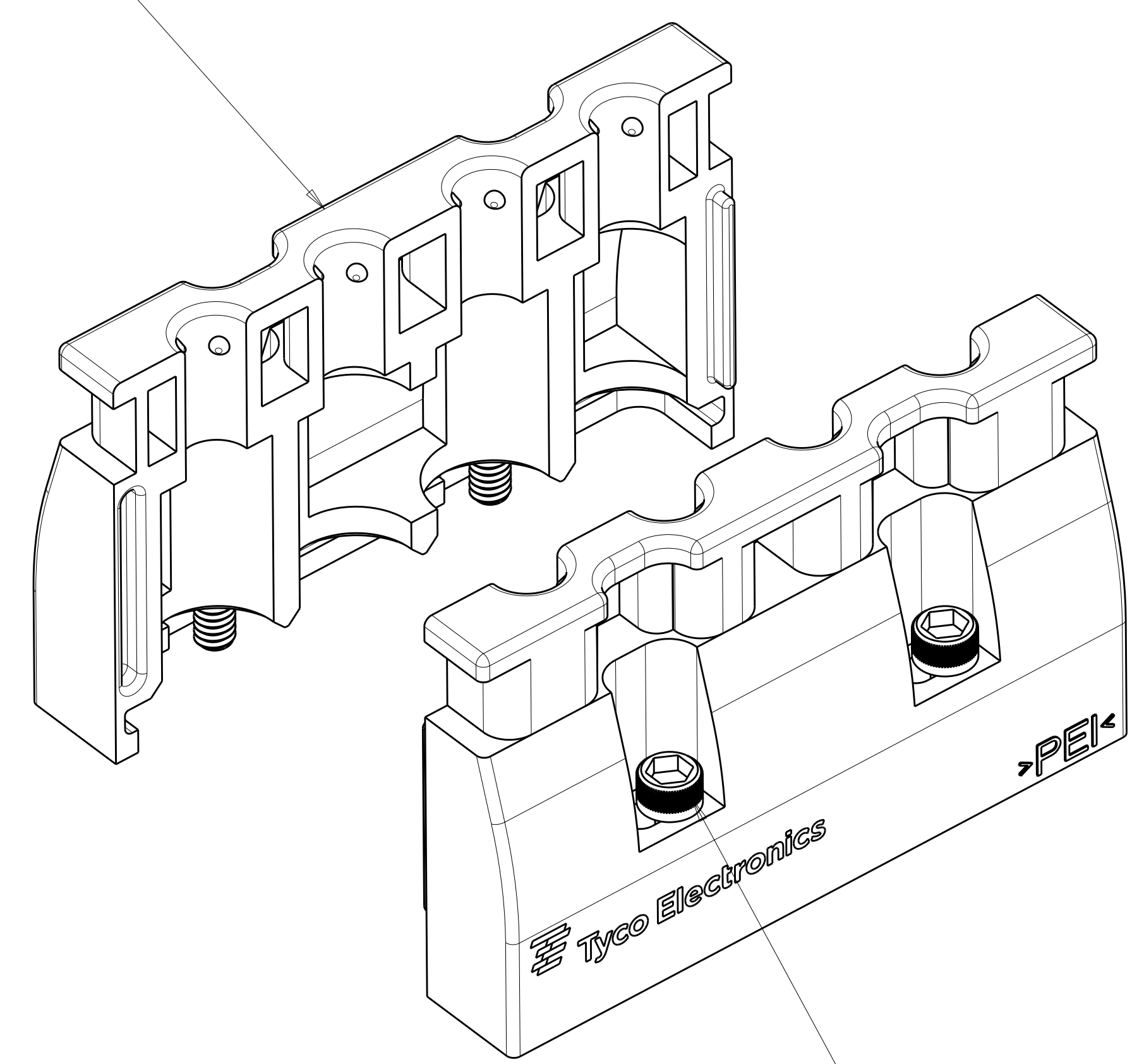


LOC	DIST	REVISIONS			
		REV	DATE	BY	CHKD
		A	12 JAN 2011	RL	RPW
		B	09 JUN 2011	RJM3	DM

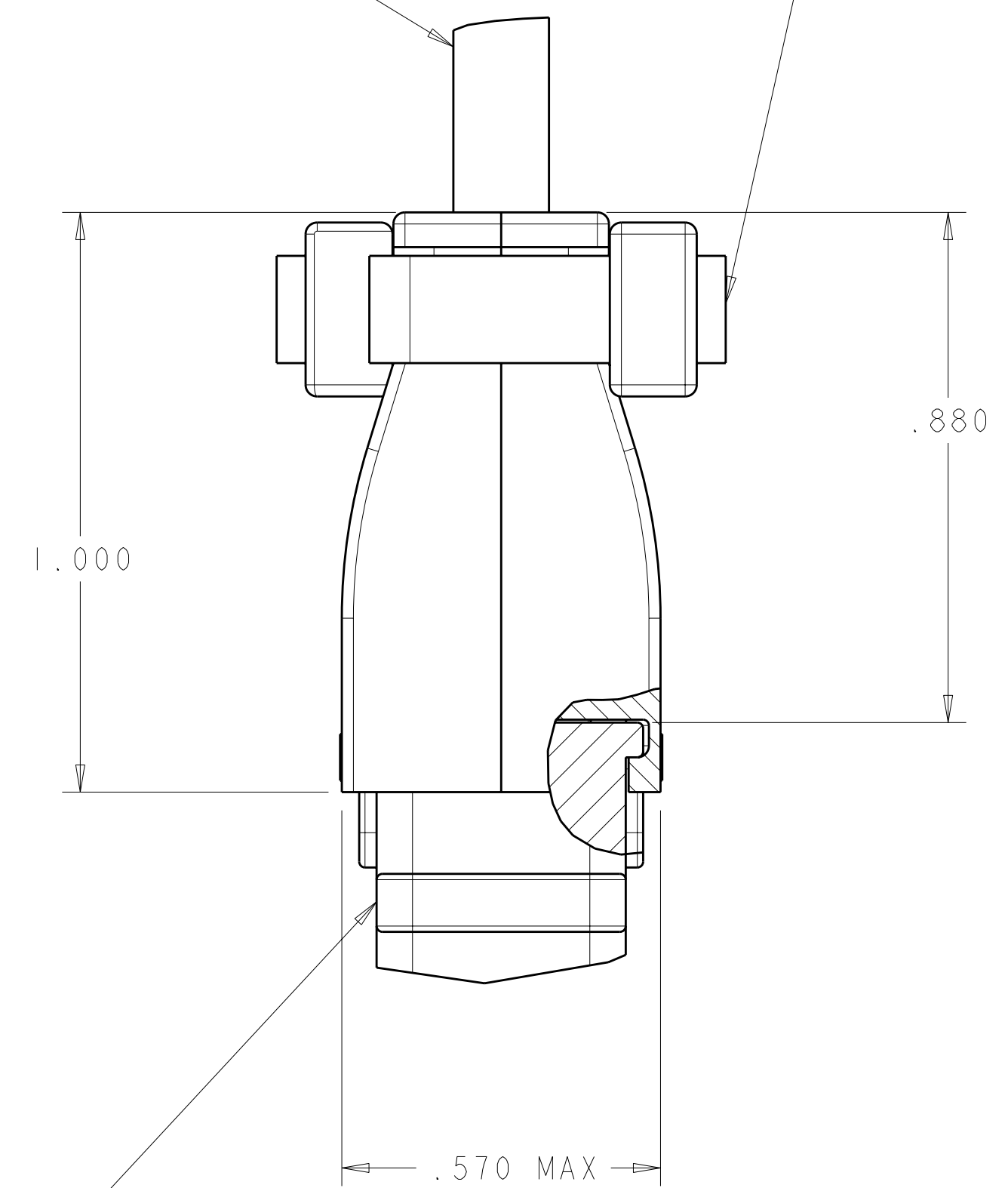
STRAIN RELIEF CLAMP HALVES
 2 REQD
 MAT'L: THERMOPLASTIC
 COLOR: BLACK
 PACKAGED UNASSEMBLED



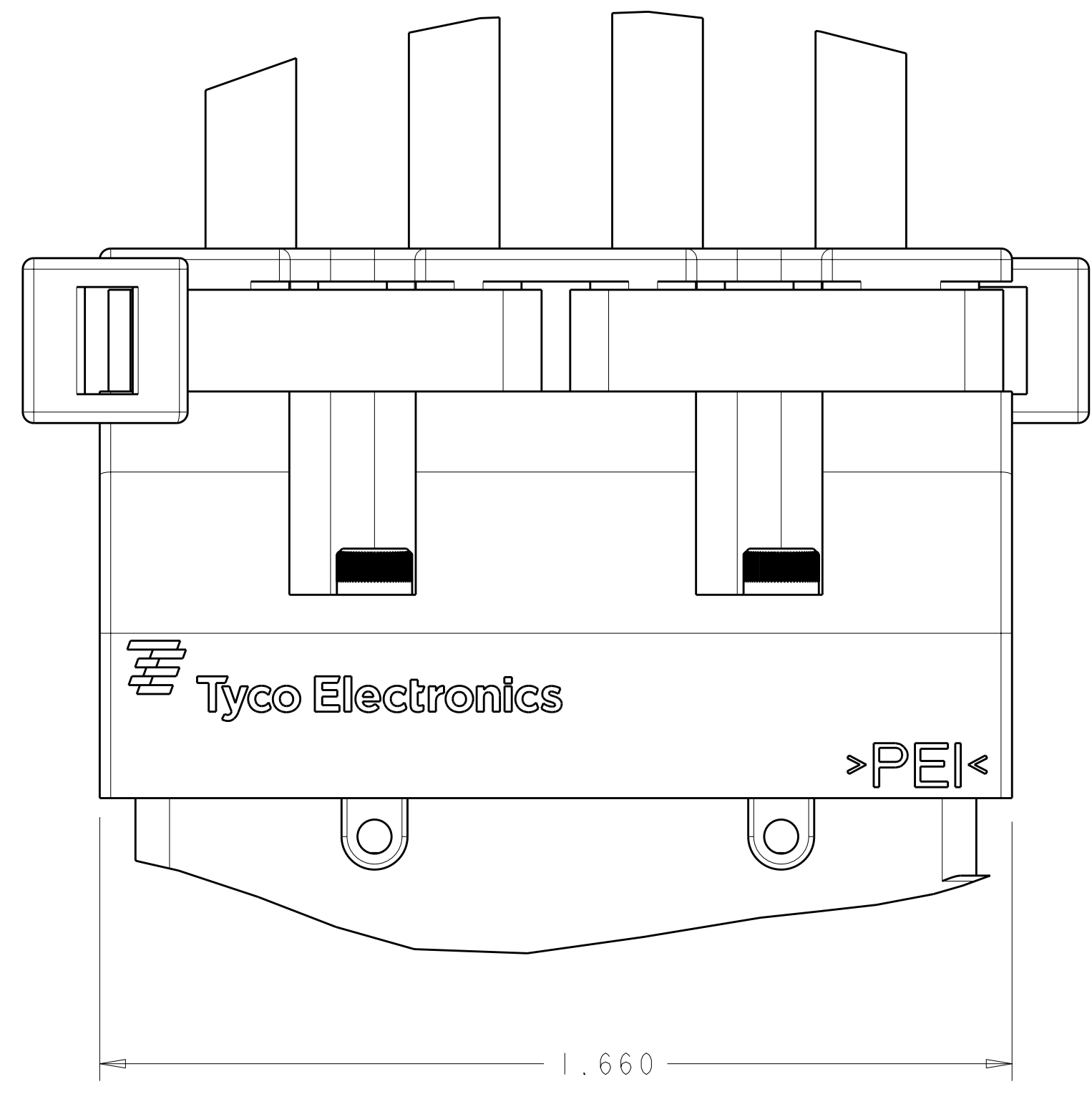
SCREW, #2-56 CAPTIVE
 4 REQD
 MAT'L: STAINLESS STEEL
 (SCREWS ARE PRE-ASSEMBLED)

WIRE TIES
 SHOWN FOR REFERENCE ONLY
 CUSTOMER SUPPLIED

CABLE
 SHOWN FOR REFERENCE ONLY



CONNECTOR SHELL
 SHOWN FOR REFERENCE ONLY



AS SHOWN	2000739-1
REMARKS	PART NUMBER

THIS DRAWING IS A CONTROLLED DOCUMENT.		DWN	D. FABIAN	11 FEB 2008
DIMENSIONS: IN		CHK		
TOLERANCES UNLESS OTHERWISE SPECIFIED:		APVD		
9 PLC	±	PRODUCT SPEC		
2 PLC	±.01	APPLICATION SPEC		
5 PLC	±.005	WEIGHT		
4 PLC	±.0005	CUSTOMER DRAWING		
ANGLES	#1	SCALE	4:1	SHEET 1 OF 1
MATERIAL	SEE CALL-OUT	FINISH	SEE CALL-OUT	REV B

STE TE Connectivity

NAME: KIT, STRAIN RELIEF LOW PROFILE RECTANGULAR QUADRAx 404, SIZE 3

SIZE: A100779 CAGE CODE: C=2000739