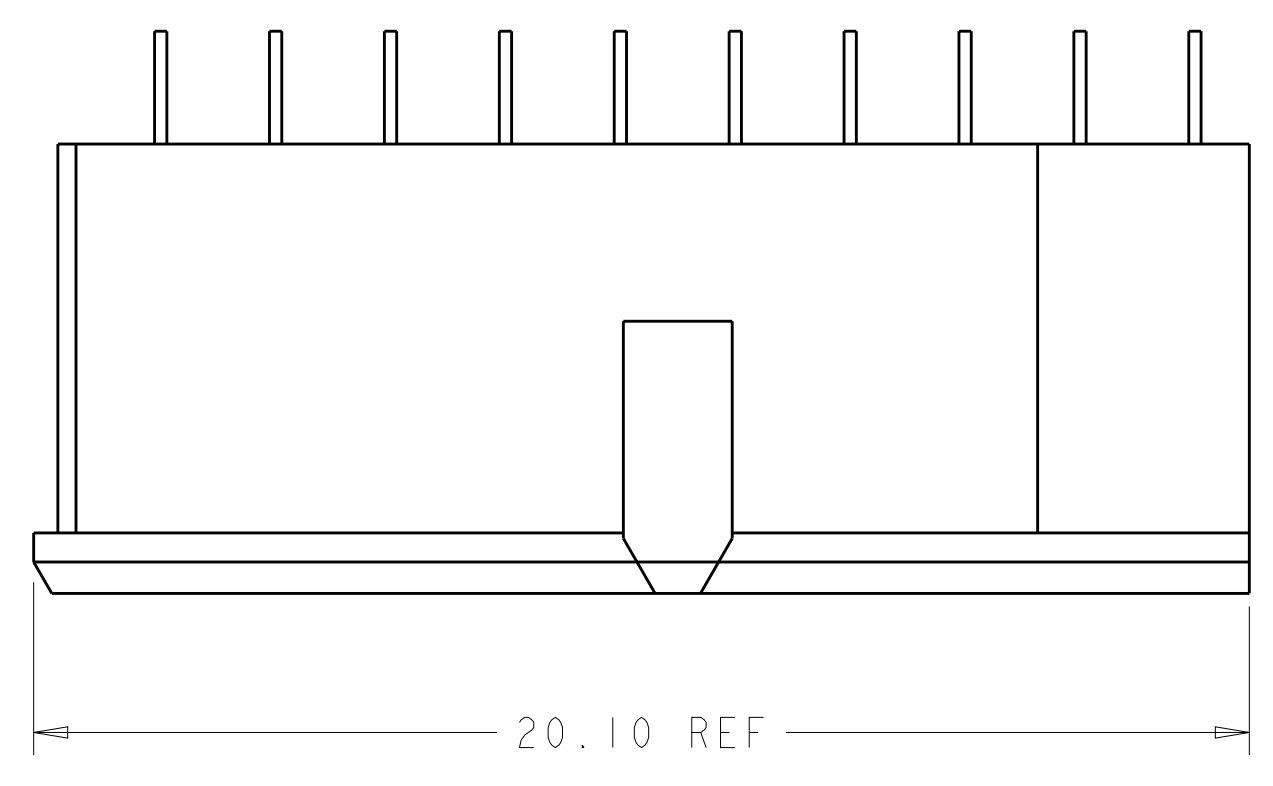
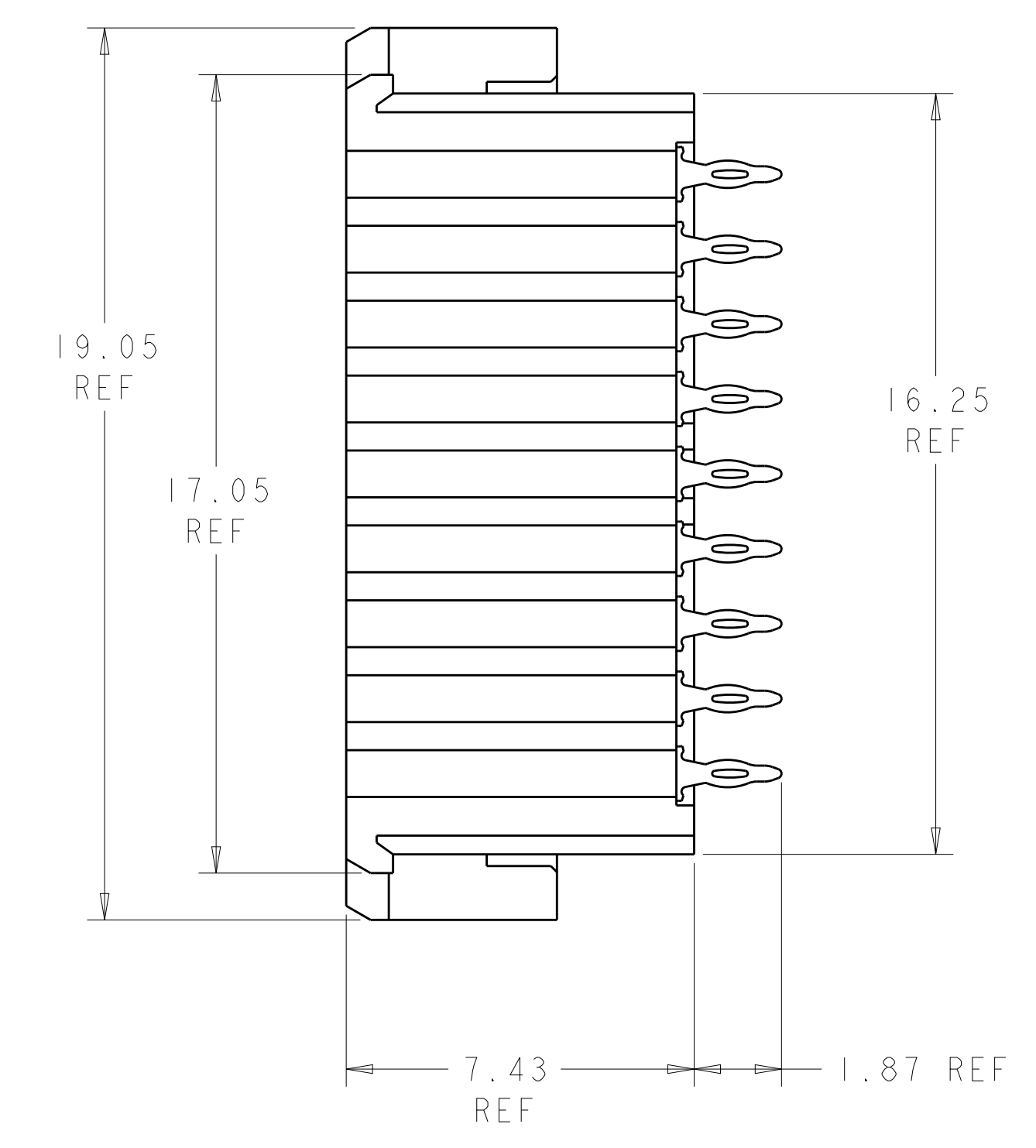
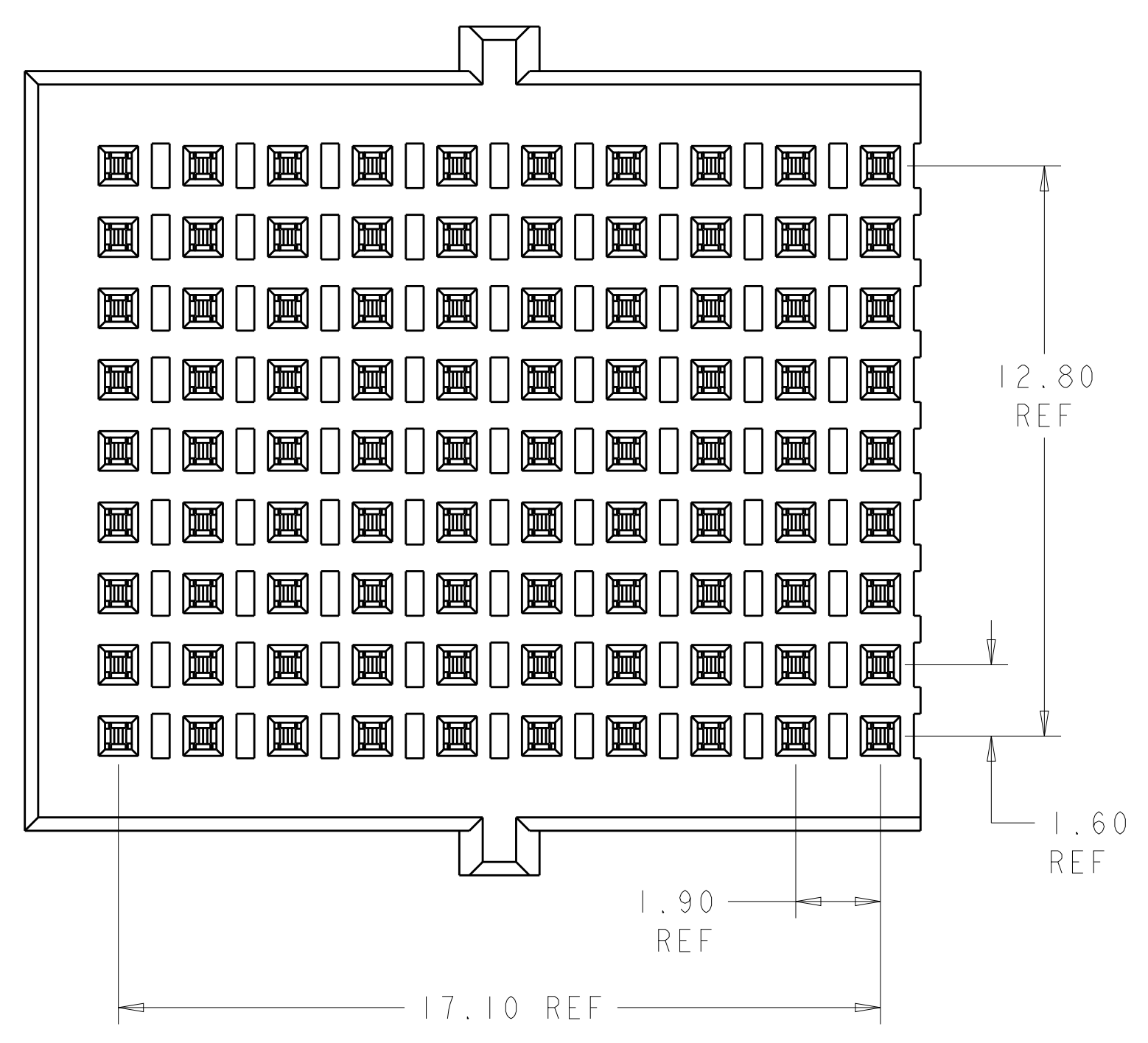


LOC		DIST		REVISIONS			
P	LTN	DESCRIPTION	DATE	DWN	APVD		
B		REV PER ECO 12-010940	7-31-12	CT	DH		
C		ECO-13-004755	26MAR2013	KG	DH		
D		ECO-14-017030	25NOV2014	MGM	CT		



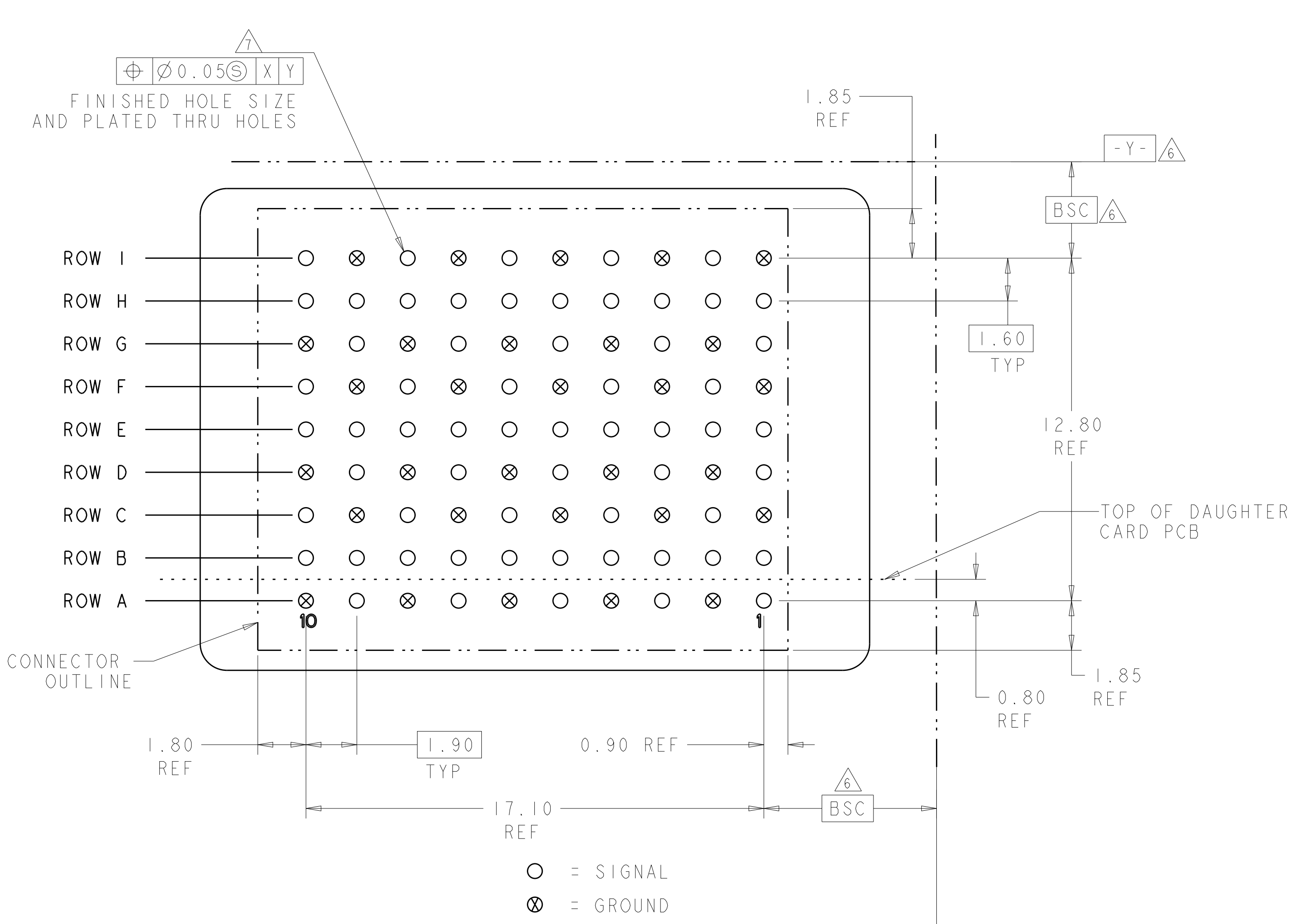
- 1 MATERIAL:
CONTACT - COPPER ALLOY
HOUSING - LCP, COLOR - BLACK
- 2 FINISH:
MATING AREA: 1.27µm MIN GOLD OVER
1.27µm MIN NICKEL
- 3 FINISH:
COMPLIANT PIN AREA: 0.38µm MIN BRIGHT TIN LEAD
OVER 1.27µm MIN NICKEL
- 4 FINISH:
COMPLIANT PIN AREA: 0.38µm MIN MATTE TIN
OVER 1.27µm MIN NICKEL
- 5 ---
- 6 DATUMS AND BASIC DIMENSIONS ESTABLISHED BY CUSTOMER.
- 7 REFERENCE APPLICATION SPEC 114-13267 FOR RECOMMENDED
PLATING THRU HOLE DIAMETER AND PLATING THICKNESS.



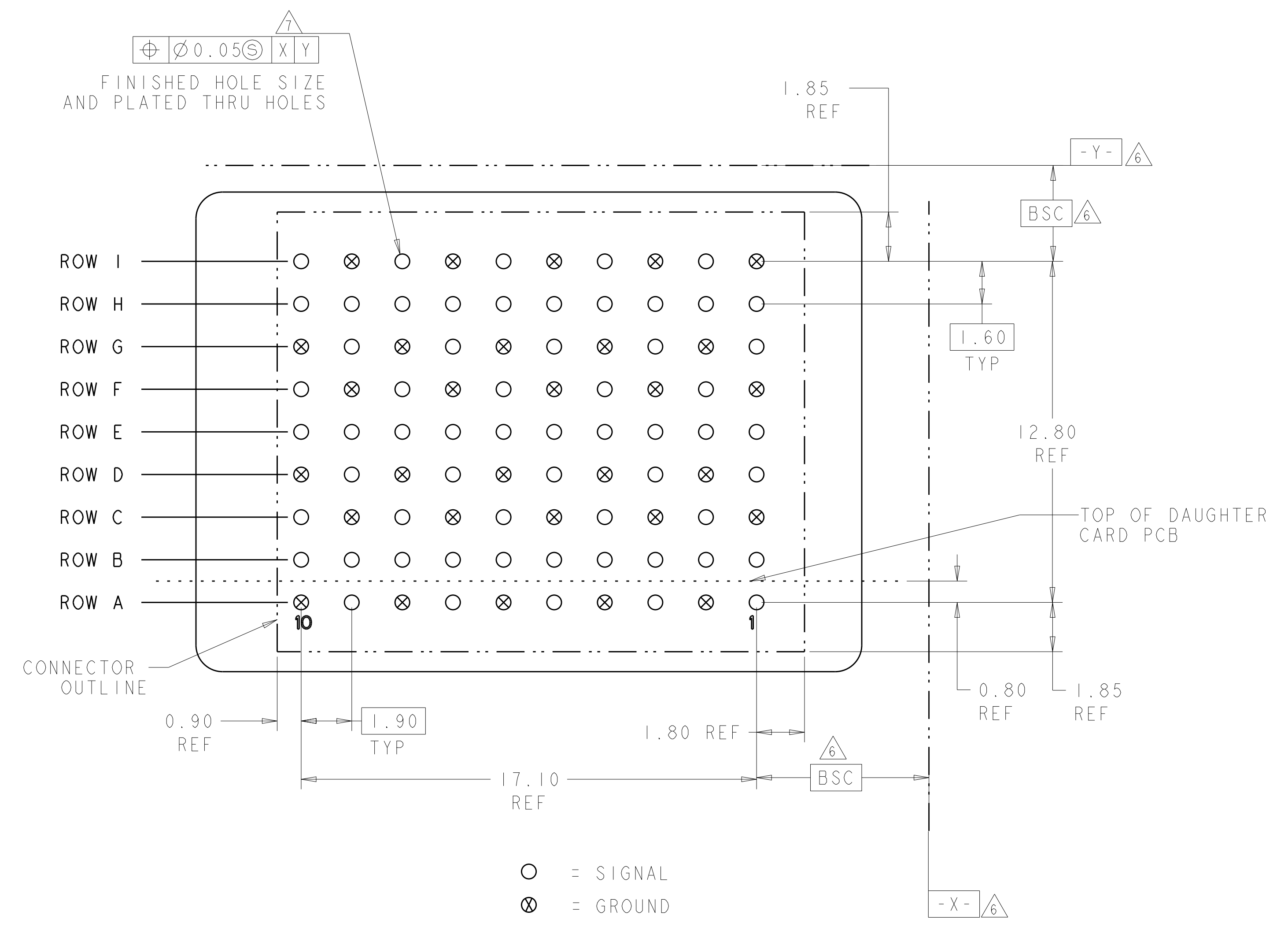
2 4	2000895-2
2 3	2000895-1
FINISH	PART NUMBER

THIS DRAWING IS A CONTROLLED DOCUMENT. DIMENSIONING AND TOLERANCING PER GPS (ISO STANDARDS).		DWN: D. BELACK 24JUN2009	TE Connectivity	
DIMENSIONS: mm		CHK: A. TSANG 6-24-2009	Fortis Zd. 10-COLUMN, 3-PAIR, VERTICAL END MODULE ASSEMBLY	
TOLERANCES UNLESS OTHERWISE SPECIFIED:		APVD: M. McALONIS 6-24-2009	NAME	
0 PLC	±	PRODUCT SPEC	SIZE CAGE CODE DRAWING NO RESTRICTED TO	
2 PLC	±0.13	108-2409	A100779C=2000895	
3 PLC	±0.05	APPLICATION SPEC	SCALE 8:1 SHEET 1 OF 2 REV D	
4 PLC	±	114-13267		
ANGLES	±	WEIGHT ~ 8weight1.2		
FINISH	±	Customer Drawing		

LOC	DIST	REV	DATE	BY	APPV
-	-	1	-	-	-
REVISIONS			DESCRIPTION		
-			SEE SHEET 1		



RECOMMENDED DIFFERENTIAL PAIR PC BOARD LAYOUT 1
COMPONENT SIDE SHOWN
SCALE 8:1



RECOMMENDED DIFFERENTIAL PAIR PC BOARD LAYOUT 2
COMPONENT SIDE SHOWN
SCALE 8:1

THIS DRAWING IS A CONTROLLED DOCUMENT. DIMENSIONING AND TOLERANCING PER QPS (ISO STANDARDS).		DWN: D. BELACK 24JUN2009 CHK: A. TSANG 6-24-2009 APVD: M. McALONIS 6-24-2009	TE Connectivity
DIMENSIONS: mm TOLERANCES UNLESS OTHERWISE SPECIFIED: 0 PLC ±0.13 1 PLC ±0.05 2 PLC ±0.05 3 PLC ±0.05 4 PLC ±0.05 ANGLES ±2°		NAME: Fortis Zd. 10-COLUMN, 3-PAIR, VERTICAL END MODULE ASSEMBLY PRODUCT SPEC: 108-2409 APPLICATION SPEC: 114-13267 WEIGHT: 8weight1.2 Customer Drawing	
MATERIAL: -		SIZE: 114-13267 CAGE CODE: 2000895 DRAWING NO: A100779	RESTRICTED TO: - SCALE: 8:1 SHEET: 2 OF 2 REV: D