

VCS Series Part Number Tree

VCS - [] - []

CABLE OPTION

0 or 2 0.16M Single Insulated PVC
1, 3, 7 or 9 0.6M Single Insulated PVC

MATERIAL

x1 or x2 Polypropylene / Float Foamed Polypropylene 30mm (Internal fit only)
x3 or x4 Polypropylene / Float Hollow Polypropylene
x5 or x6 Nylon / Float Hollow Nylon
x7 or x8 Kynar / Float Hollow Polyphenylene Sulfide (PPS)

SWITCH

Cable Option 2x or 3x SPST MAX 100 VDC, 250VRMS, 1AMP, 50 WATT

FITTING OPTION

1/8" NPT Taper (Odd Part Number)

SEALING MATERIAL

None (1/8" NPT fitting only)

Unless otherwise specified tolerances are	
Cable Lengths	
Cable Lengths	Tolerance
100 - 200 mm	+/-5
500 mm	+/-10
1000 mm	+/-20
2000 mm	+/-50
5000 mm	+/-100
General Tolerances	
Dimension	Tolerances
<20 mm	+/-0.25
20 - 50 mm	+/-0.50
50 - 100 mm	+/-0.75
100 - 150 mm	+/-1.00
Angles	+/-0.5 Deg

SERIES	TCPN
VCS-01	20017615-01
VCS-05	20017615-05

NOT ALL OPTIONS AVAILABLE

ZONE	REV	DESCRIPTION	DATE	APPROVER
C5	A1	CHANGE PER ECN-22-153178	10/05/2022	RC
	A	INITIAL RELEASE	06/10/2020	JP
REVISIONS				

DIMENSIONS: mm	TOLERANCES UNLESS OTHERWISE SPECIFIED:
	0 PLC - 1 PLC +0.5 2 PLC +0.13 3 PLC +0.013 4 PLC +0.0001
ANGLES ±	
SURFACE TEXTURE	

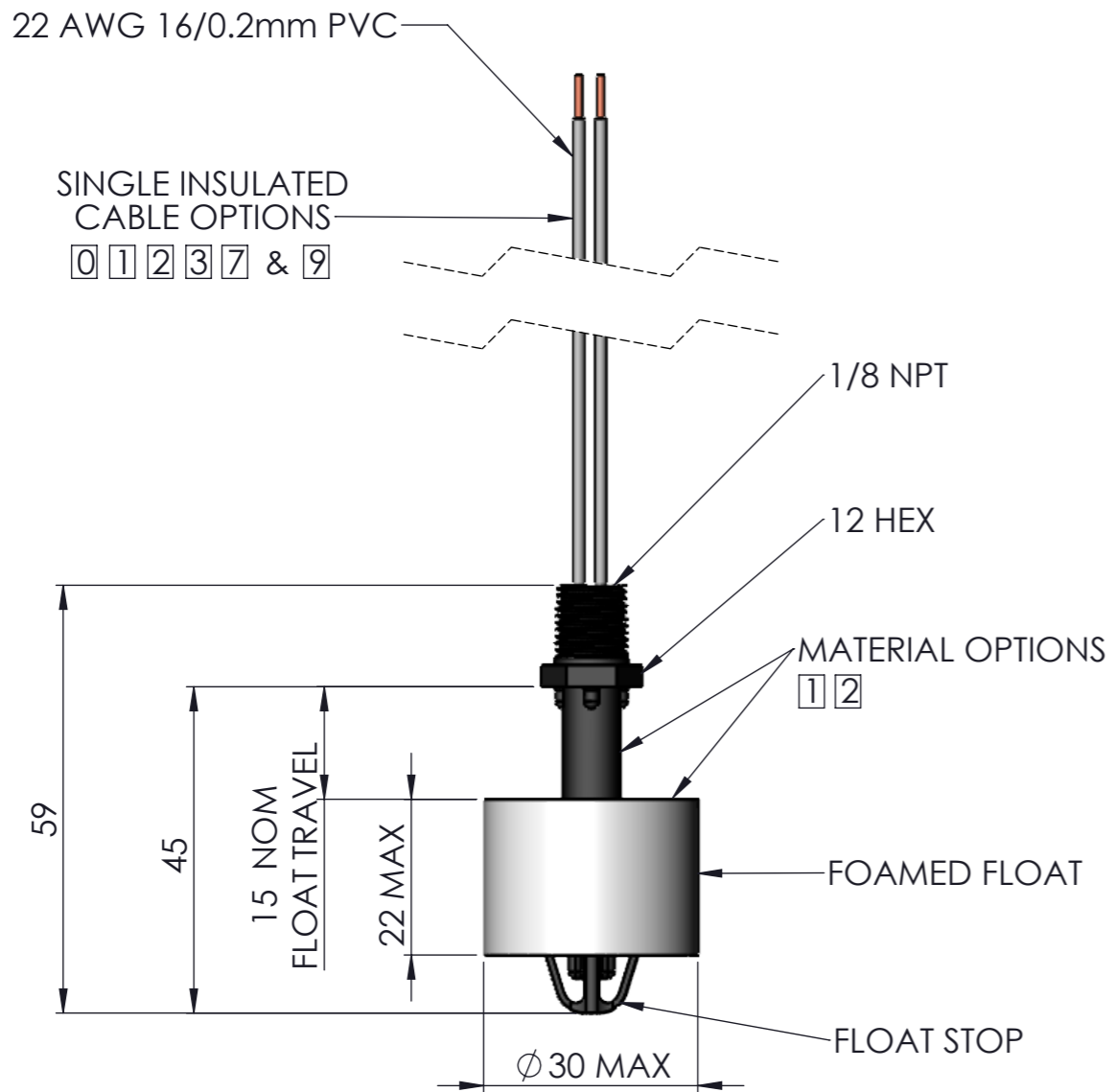
DWN	L Hernandez	MATERIAL		WEIGHT	kg
CHK	R Cooper				
APVD	J Pendleton				
NAME	VCS 1_8NPT TOP LEVEL CATALOG DWG				
SCALE	1:1	SIZE	A3	DRAWING NO	20017615-00
				SHEET	1 OF 2
				REV	A1

THIS INFORMATION IS CONFIDENTIAL AND PROPRIETARY TO TYCO ELECTRONICS CORPORATION AND ITS WORLDWIDE SUBSIDIARIES AND AFFILIATES (TE). IT MAY NOT BE DISCLOSED TO ANYONE, OTHER THAN TE PERSONNEL, WITHOUT AUTHORIZATION FROM TE (www.TE.com).

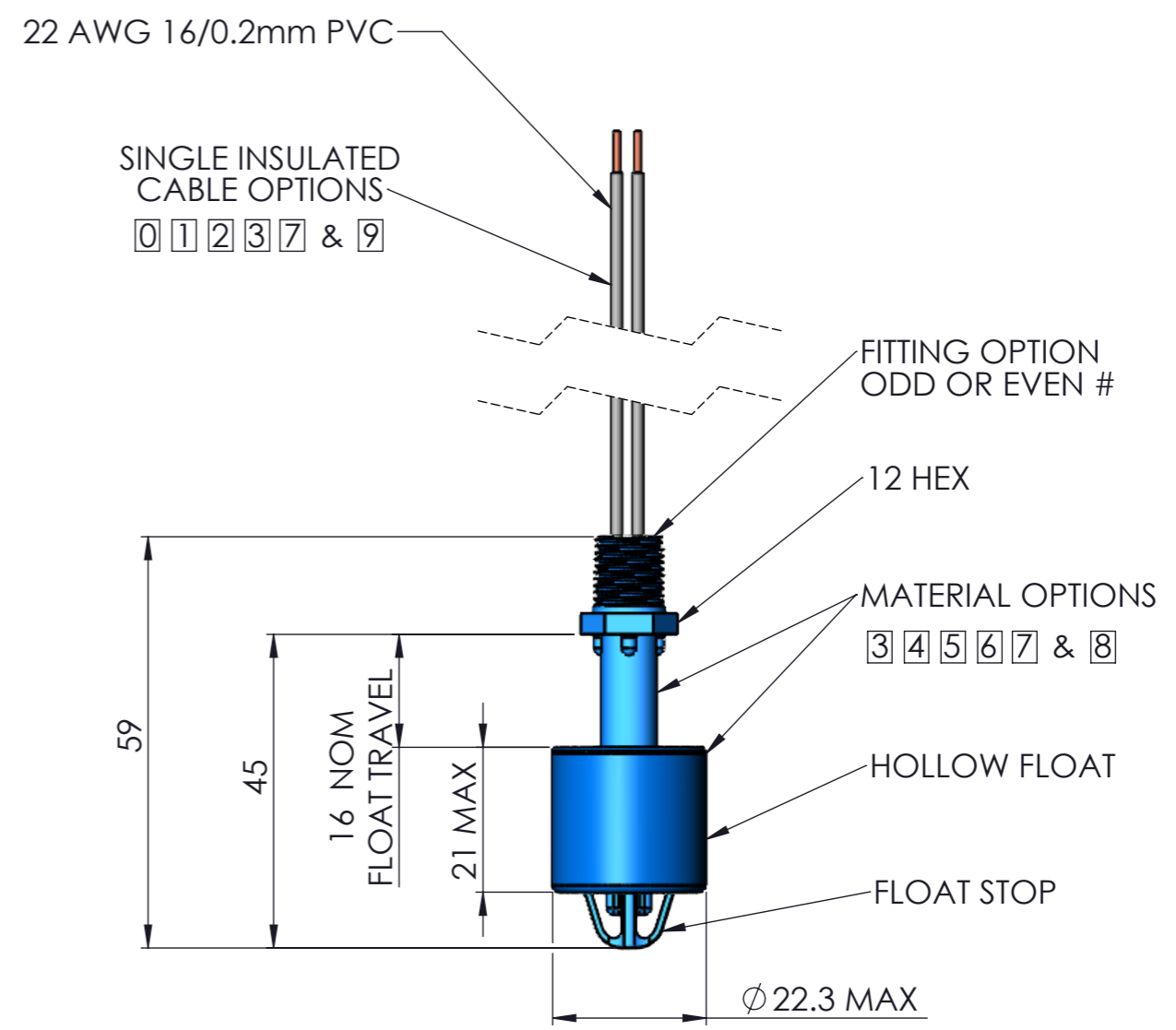
USED ON

DWG NO
20017615-00

THIS DRAWING IS A CONTROLLED DOCUMENT



VCS-01



VCS-05

NOTES:

- 1. REED SWITCH IS EITHER NORMALLY OPEN OR CLOSED DEPENDING ON FLOAT ORIENTATION

DIMENSIONS: mm	TOLERANCES UNLESS OTHERWISE SPECIFIED:
	0 PLC -
	1 PLC +0.5
	2 PLC +0.13
	3 PLC +0.013
	4 PLC +0.0001
ANGLES ±	
SURFACE TEXTURE	

DWN L Hernandez	MATERIAL	WEIGHT kg
CHK R Cooper		
APVD J Pendleton		
NAME VCS 1_8NPT TOP LEVEL CATALOG DWG		
SCALE 1:1	SIZE A3	DRAWING NO 20017615-00
SHEET 2 OF 2		REV A1

THIS INFORMATION IS CONFIDENTIAL AND PROPRIETARY TO TYCO ELECTRONICS CORPORATION AND ITS WORLDWIDE SUBSIDIARIES AND AFFILIATES (TE). IT MAY NOT BE DISCLOSED TO ANYONE, OTHER THAN TE PERSONNEL, WITHOUT AUTHORIZATION FROM TE (www.TE.com).