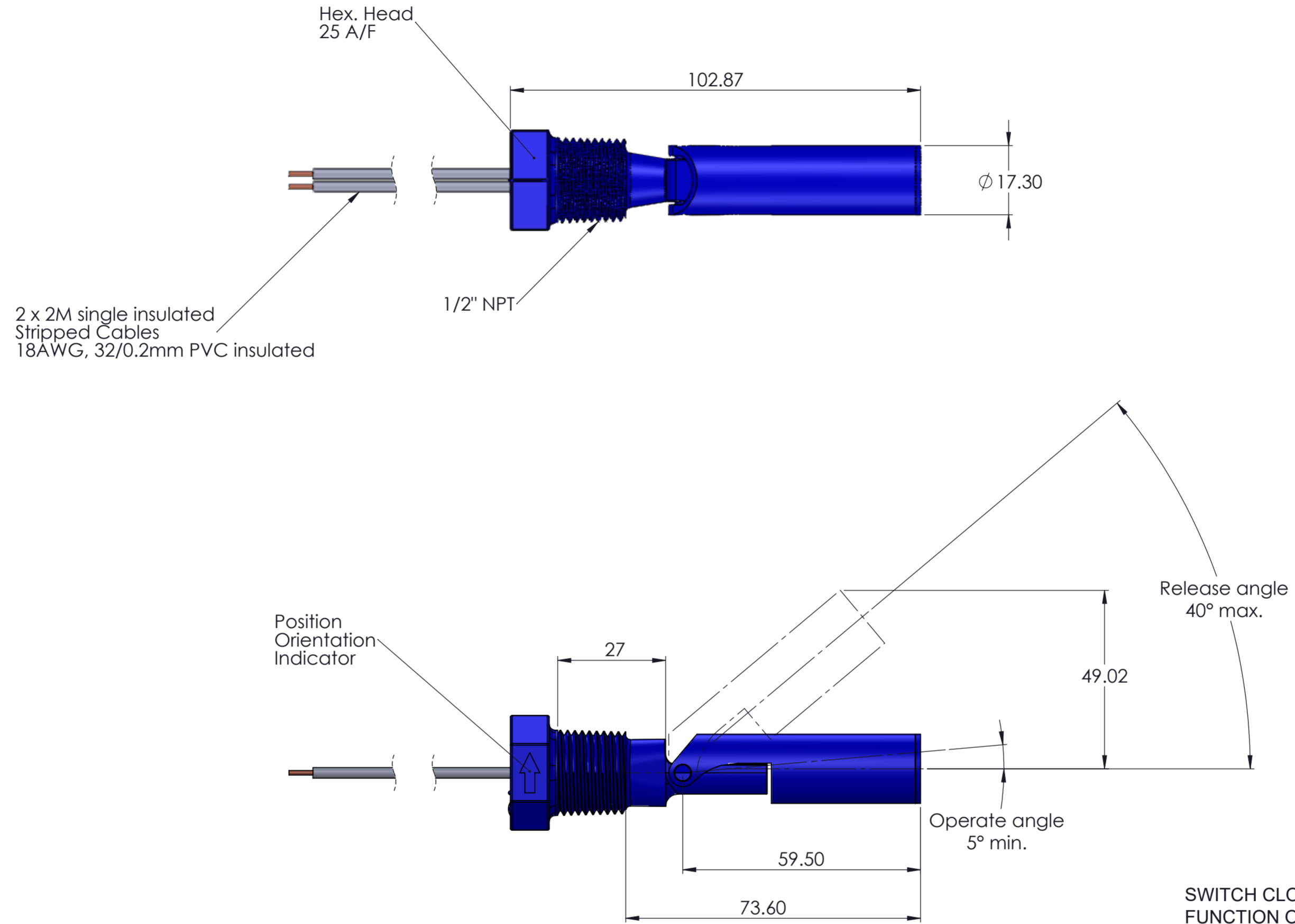


Material

Housing Material Glass Filled Nylon 6.6
Float Material Glass Filled Nylon 6.6

DWG NO
20017782-00

THIS DRAWING IS A CONTROLLED DOCUMENT



SWITCH CLOSED WITH FLOAT IN HORIZONTAL POSITION:
FUNCTION OF DEVICE (NO/NC) CAN BE ALTERNATED
WITH INSTALLATION OF ARROW UP/DOWN

THIS INFORMATION IS CONFIDENTIAL AND PROPRIETARY TO TYCOO ELECTRONICS CORPORATION AND ITS WORLDWIDE SUBSIDIARIES AND AFFILIATES (TE). IT MAY NOT BE DISCLOSED TO ANYONE, OTHER THAN TE PERSONNEL, WITHOUT AUTHORIZATION FROM TE (www.TE.com).

DIMENSIONS:		TOLERANCES UNLESS OTHERWISE SPECIFIED:	
mm		0 PLC	...
		1 PLC	0.5
		2 PLC	0.13
		3 PLC	0.013
		4 PLC	0.0001
ANGLES ±			
SURFACE TEXTURE			

DWN	L Hernandez	MATERIAL	kg
CHK	R Cooper	TE Connectivity	
APVD	J Pendleton		
NAME	LS309-32 HORIZONTAL LEVEL SENSOR 1/2 NPT		
SCALE	SIZE	DRAWING NO	SHEET OF REV
1:10	A2	20017782-00	1 OF 1 A