

4

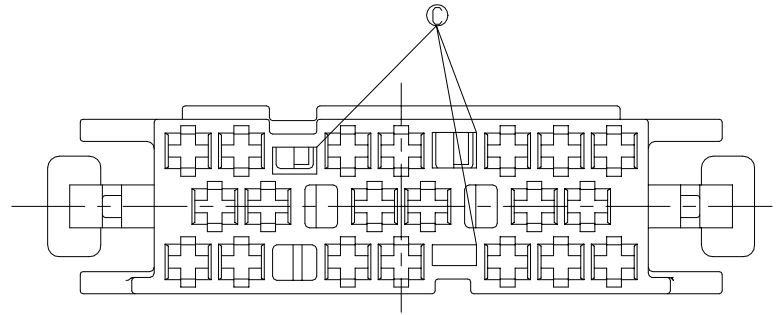
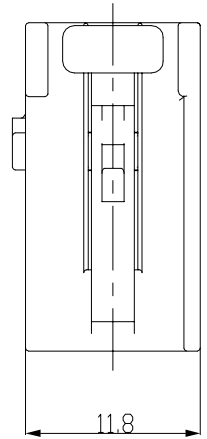
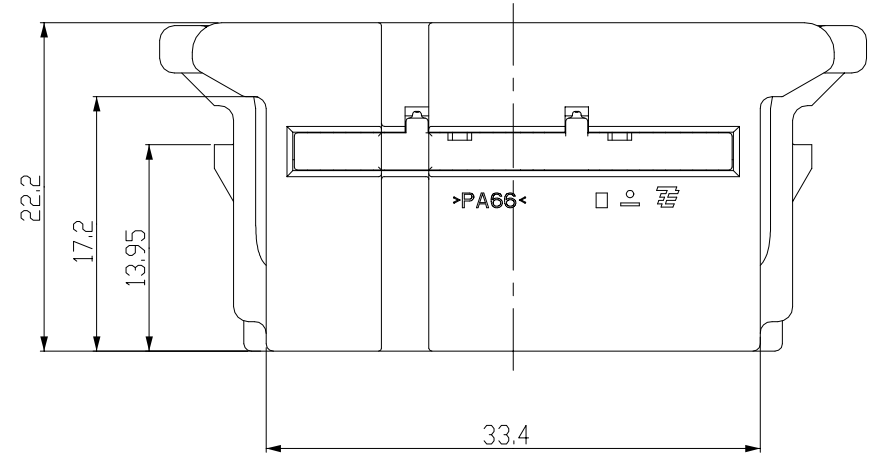
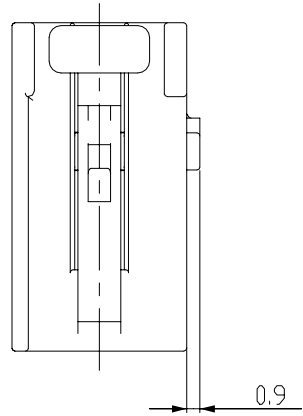
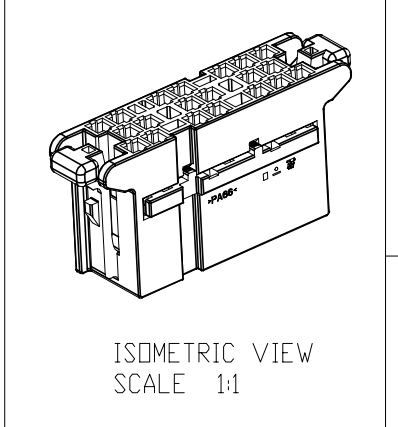
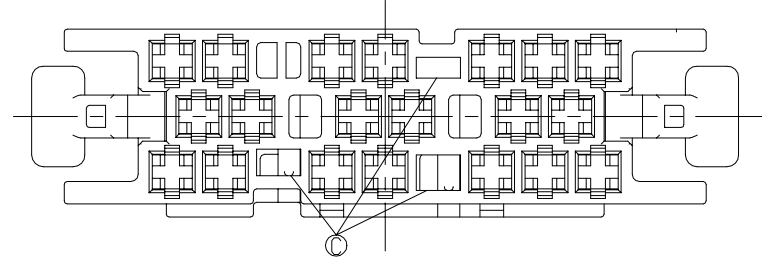
3

2

1

THIS DRAWING IS UNPUBLISHED. RELEASED FOR PUBLICATION 20
 © COPYRIGHT 20 BY TYCO ELECTRONICS CORPORATION. ALL RIGHTS RESERVED.

LOC	DIST	REVISIONS			
P	LTR	DESCRIPTION	DATE	DWN	APVD
DS	-				
	B	REVISED (ECR-09-002855)	10.FEB.'09	KT	HG
	C	REVISED (ECR-22-147723)	28.JUL.'22	CI	YJ



- NOTES ;
- GENERAL TOLERANCE : $\pm 0.3\text{mm}$, $\pm 3^\circ$
 - DBL IS PRE-LOCKING
 - APPLICABLE TERMINAL: 1241858-2, 1241860-2

NO.	COLOR	MATERIAL	DESCRIPTION	Q'TY
2	NATURAL	Ⓟ PA66	MT III 20P PLUG DBL HSG	1
1	BLACK	Ⓟ PA66	MT III 20P PLUG HSG	1

2005071-2
ASSY P/N

THIS DRAWING IS A CONTROLLED DOCUMENT FOR TYCO ELECTRONICS CORPORATION IT IS SUBJECT TO CHANGE AND THE CONTROLLING ENGINEERING ORGANIZATION SHOULD BE CONTACTED FOR THE LATEST REVISION.

DIMENSIONS: mm	TOLERANCES UNLESS OTHERWISE SPECIFIED: 0 PLC \pm 1 PLC \pm 2 PLC \pm 3 PLC \pm 4 PLC \pm ANGLES \pm	DWN KT JUNG CHK JW JUNG APVD HG CHO PRODUCT SPEC N/A APPLICATION SPEC 114-18081 WEIGHT -	AMP KOREA Kyungsan, Korea	
MATERIAL SEE TABLE	FINISH	NAME MT III 20P PLUG ASM	SIZE A3	CAGE CODE 00779
		DRAWING NO C-2005071	RESTRICTED TO -	
		CUSTOMER DRAWING	SCALE 2:1	SHEET 1 OF 1 REV C