

4

3

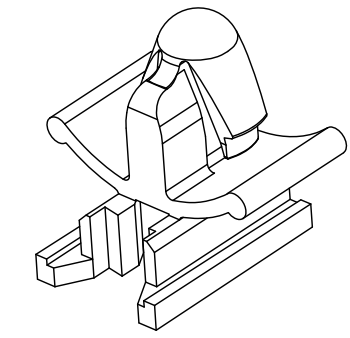
2

1

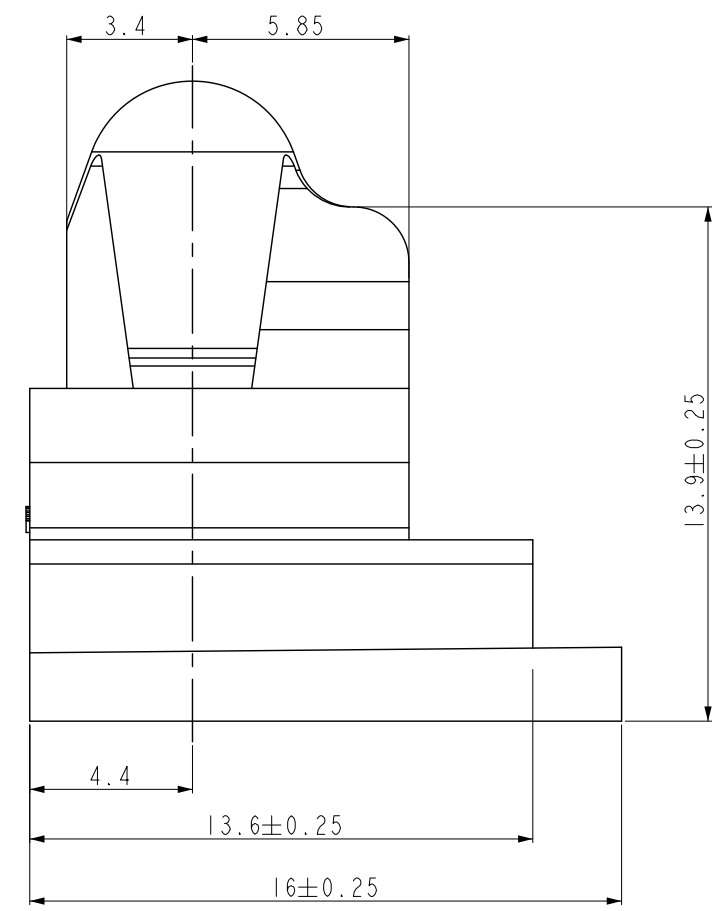
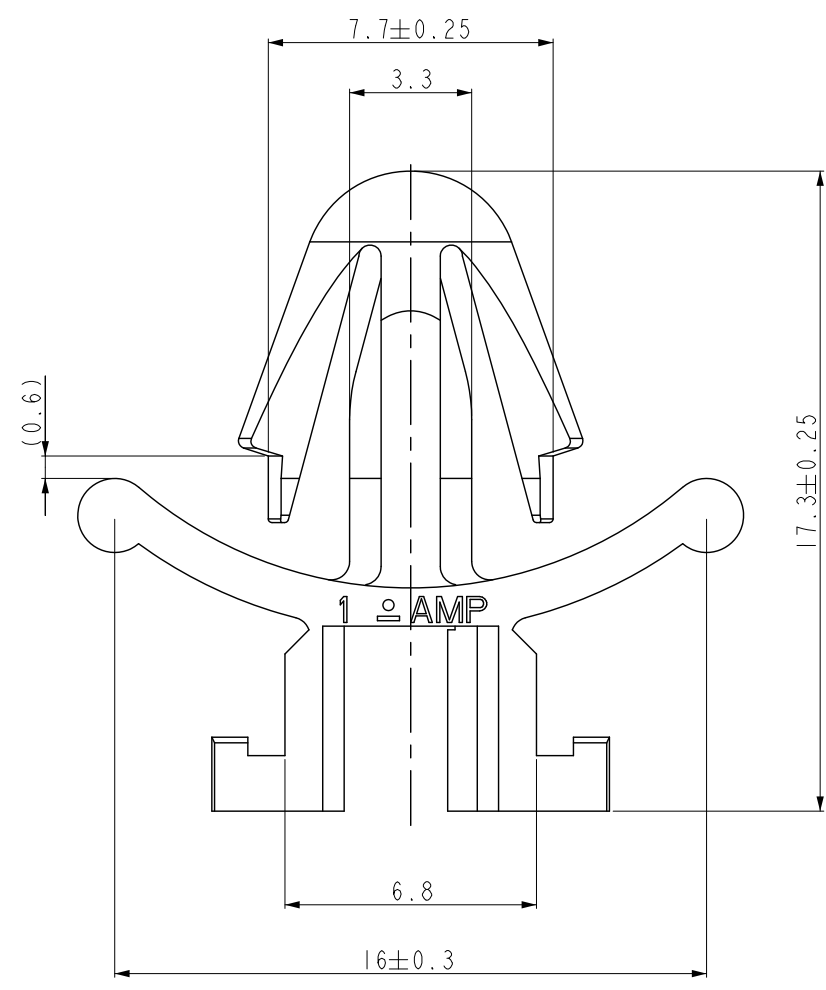
THIS DRAWING IS UNPUBLISHED. RELEASED FOR PUBLICATION 20

© COPYRIGHT 20 BY TYCO ELECTRONICS CORPORATION. ALL RIGHTS RESERVED.

LOC	DIST	REVISIONS			
P	LTR	DESCRIPTION	DATE	DWN	APVD
DS	-				
	AI	REVISED (ECR-11-001821)	26.JAN.'11	KT	HG

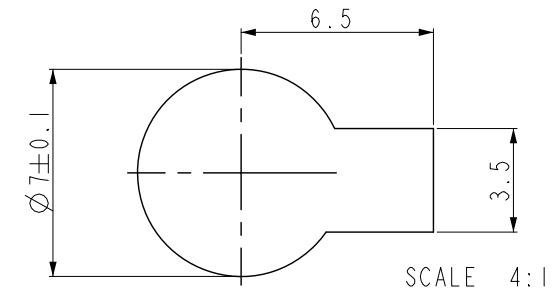


3D VIEW SCALE 2:1



NOTE

- 1. GENERAL TOLERANCE: ±0.2, ±3°
- 2. PANEL HOLE SIZE (T=0.7-2.0) (AI)



BLACK	PA66	CLIP HSG	2005295-2
COLOR	MATERIAL	DESCRIPTION	P/N

THIS DRAWING IS A CONTROLLED DOCUMENT FOR TYCO ELECTRONICS CORPORATION IT IS SUBJECT TO CHANGE AND THE CONTROLLING ENGINEERING ORGANIZATION SHOULD BE CONTACTED FOR THE LATEST REVISION.

DIMENSIONS: mm	TOLERANCES UNLESS OTHERWISE SPECIFIED:
	0 PLC ±
	1 PLC ±
	2 PLC ±
	3 PLC ±
	4 PLC ±
	ANGLES ±
MATERIAL SEE TABLE	FINISH ±

DWN	KT JUNG
CHK	KT LIM
APVD	HG CHO
PRODUCT SPEC	-
APPLICATION SPEC	-
WEIGHT	-
CUSTOMER DRAWING	

		TE Connectivity	
NAME CLIP HSG FOR MQS CONNECTOR (Ø7 KEY HOLE) FOR YF LH			
SIZE	CAGE CODE	DRAWING NO	RESTRICTED TO
A3	00779	©-2005295	-
SCALE 5:1		SHEET 1 OF 1	REV AI