

REVISIONS					
P	LTR	DESCRIPTION	DATE	DWN	APVD
A2		REVISED (ECR-16-010384)	18JUL2016	JM	JW
A3		REVISED (ECR-19-010639)	09JUL2019	JS	YJ
A4		REVISED (ECR-20-017589)	08OCT2020	CH	YJ

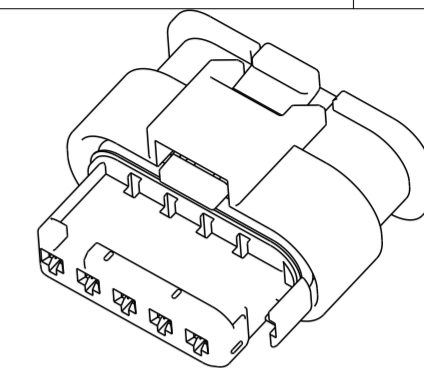
<TABLE 1.>

(A1)

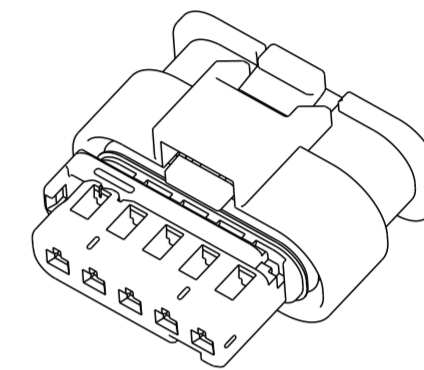
	P/N	WIRE RANGE	INSULATION - Ø	WIRE SEAL	CAVITY PLUG
MCON 1.2 GROUP DRAWING NO. 1452674	1452665-X -1: TIN PLATED -2: GOLD PLATED -3: SILVER PLATED	0.25 - 0.35	1.1 - 1.75	967067-2	967056-1
	1452668-X -1: TIN PLATED -2: GOLD PLATED -3: SILVER PLATED	0.5 - 0.75	1.4 - 1.9	967067-1	
	1452671-X -1: TIN PLATED -2: GOLD PLATED -3: SILVER PLATED	1 - 1.25	1.9 - 2.1		

<CODING TABLE>

FORWARD TYPE (TYPE A)	CODE 1	(A4) CODE 2	CODE 3	CODE 4
	(A2) 2005375-2 2005375-3	1-2005375-2	2-2005375-2	3-2005375-2
5 REVERSE TYPE (TYPE B)	CODE 5	(A4) CODE 6	CODE 7	CODE 8
	4-2005375-2 4-2005375-3	5-2005375-2	6-2005375-2	7-2005375-2

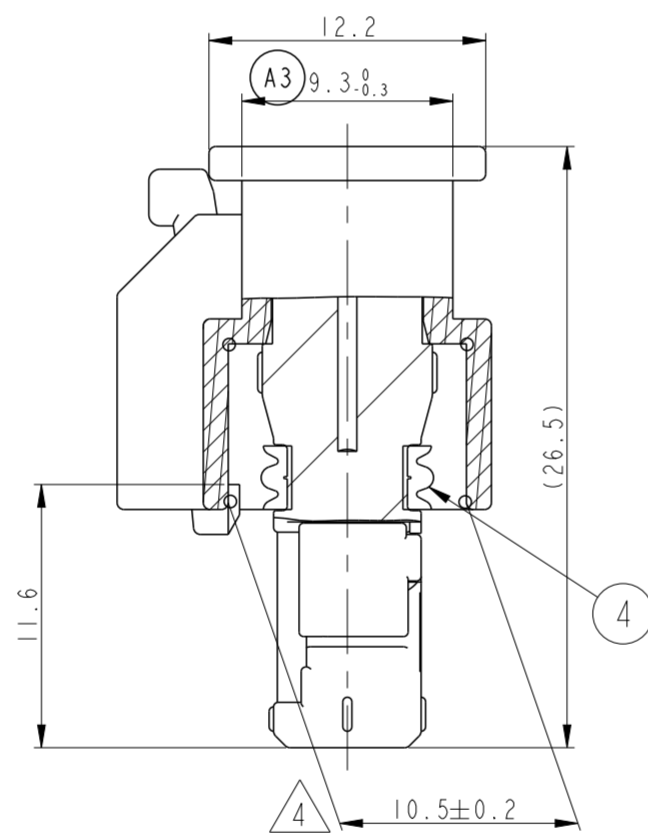
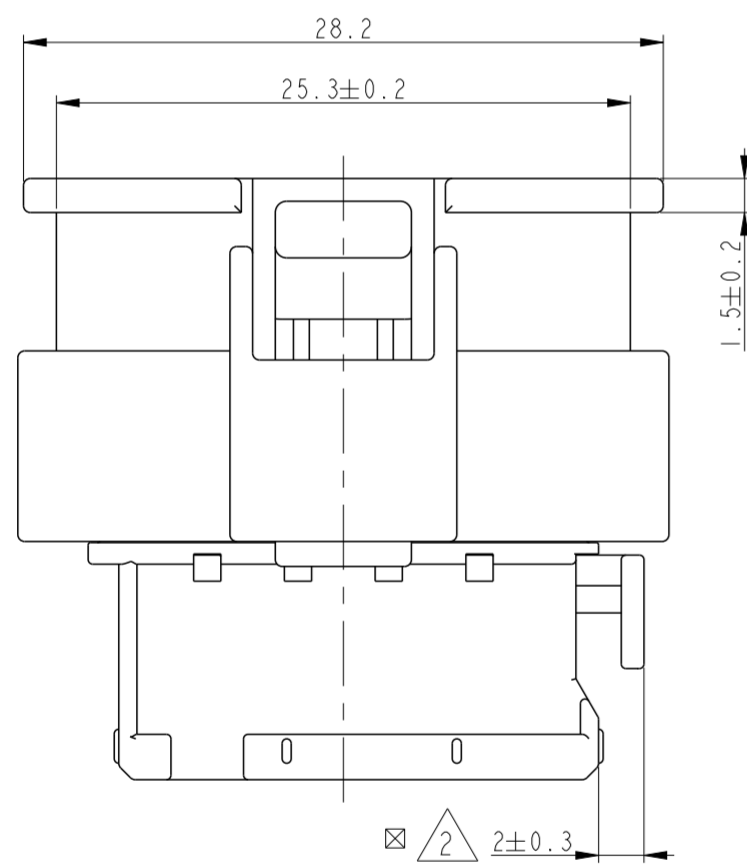
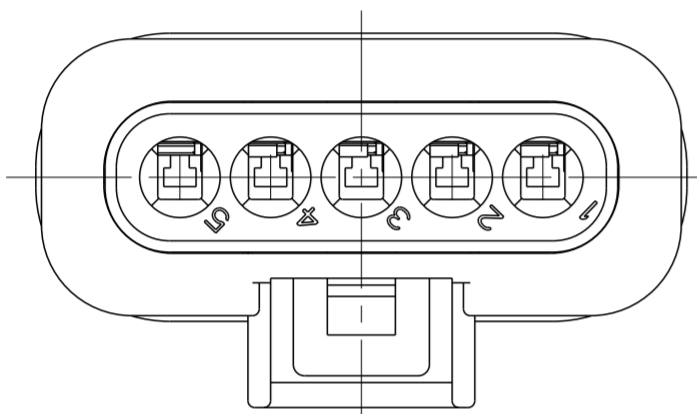


FORWARD TYPE

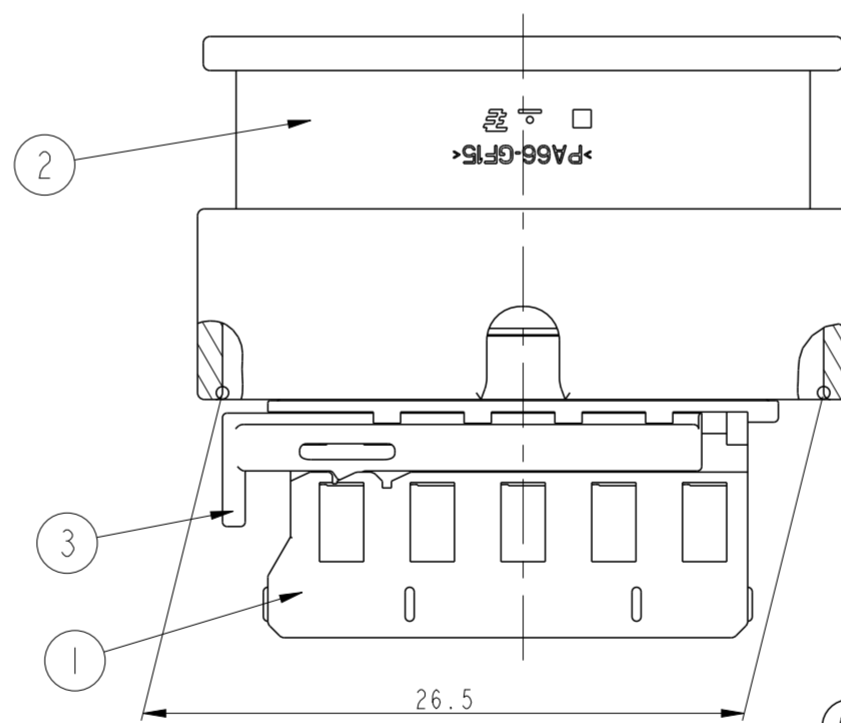


REVERSE TYPE

ISO VIEW



SECTION A-A

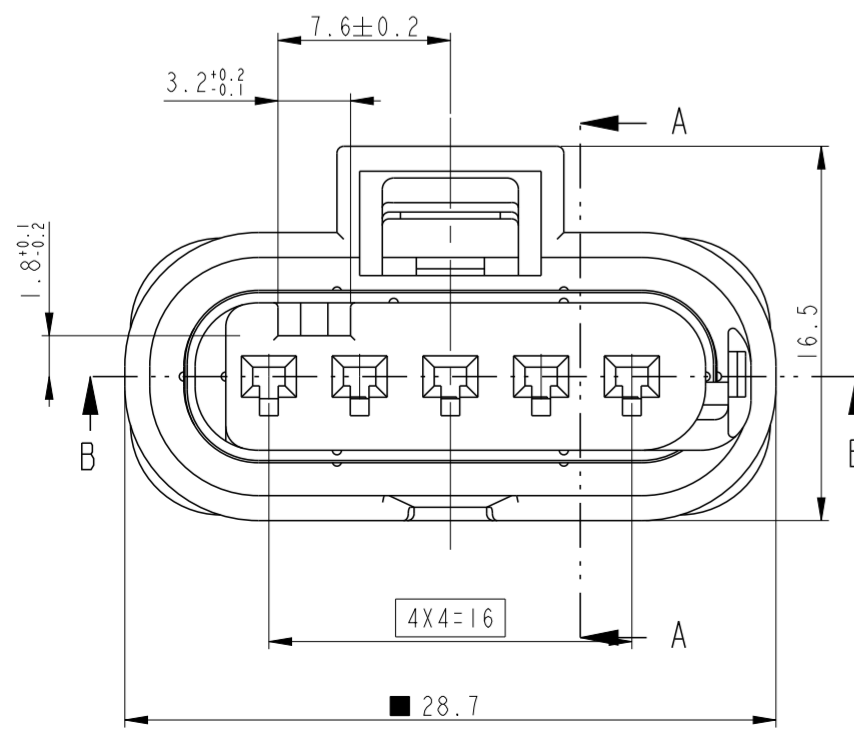


SECTION B-B

NOTES

- GENERAL TOLERANCE : ±0.3
- SUPPLY CONDITION: RETAINER IN PRELOCKED POSITION
- USABLE CONTACTS AMP MCON 1.2 SEE TABLE 1.
- WARPAGE PERMITTED TO MAX. -0.5mm
- INNER HSG OF KEY CODE 5-8 MUST BE UPSIDE-DOWN WITH KEY CODE(CAVITY IDENTIFICATION).
- APPLICABLE COVER HSG: X-2109570-X

NO	COLOR/FINISH	MATERIAL	DESCRIPTION	P/N	Q'TY
4	NATURAL	NPC-40	INNER SEAL	2005620-1	1
3	YELLOW	PA66-GF15	RETAINER	2005378-5	1
	RED	PA66-GF15	RETAINER	2005378-6	1
2	GREY	PA66-GF15	OUTER HSG	2005377-3	1
	BLACK	PA66-GF15	OUTER HSG	2005377-2	1
1	BLACK	PA66-GF30	INNER HSG-CODE2/6	1-2005376-2	1
	BLACK	PA66-GF30	INNER HSG-CODE1/5	2005376-2	1



THIS DRAWING IS A CONTROLLED DOCUMENT.

DWN: JM JEON
CHK: -
APVD: JW JUNG
PRODUCT SPEC

NAME: MCON 1.2mm 5P PLUG ASS'Y

SIZE: A2
CAGE CODE: 00779
DRAWING NO: C-2005375

SCALE: 4:1
SHEET: 1 OF 1
REV: A4

TE Connectivity