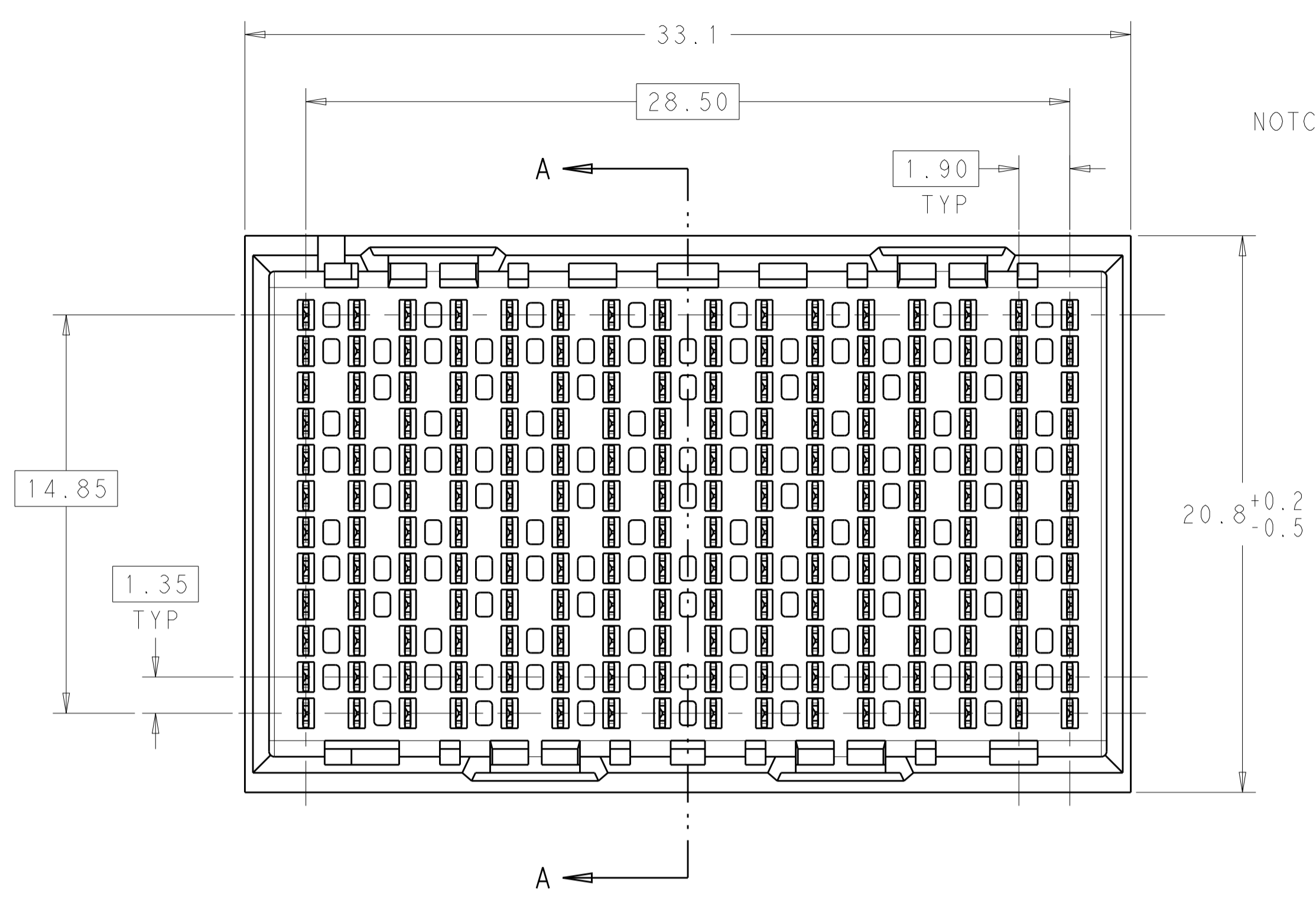
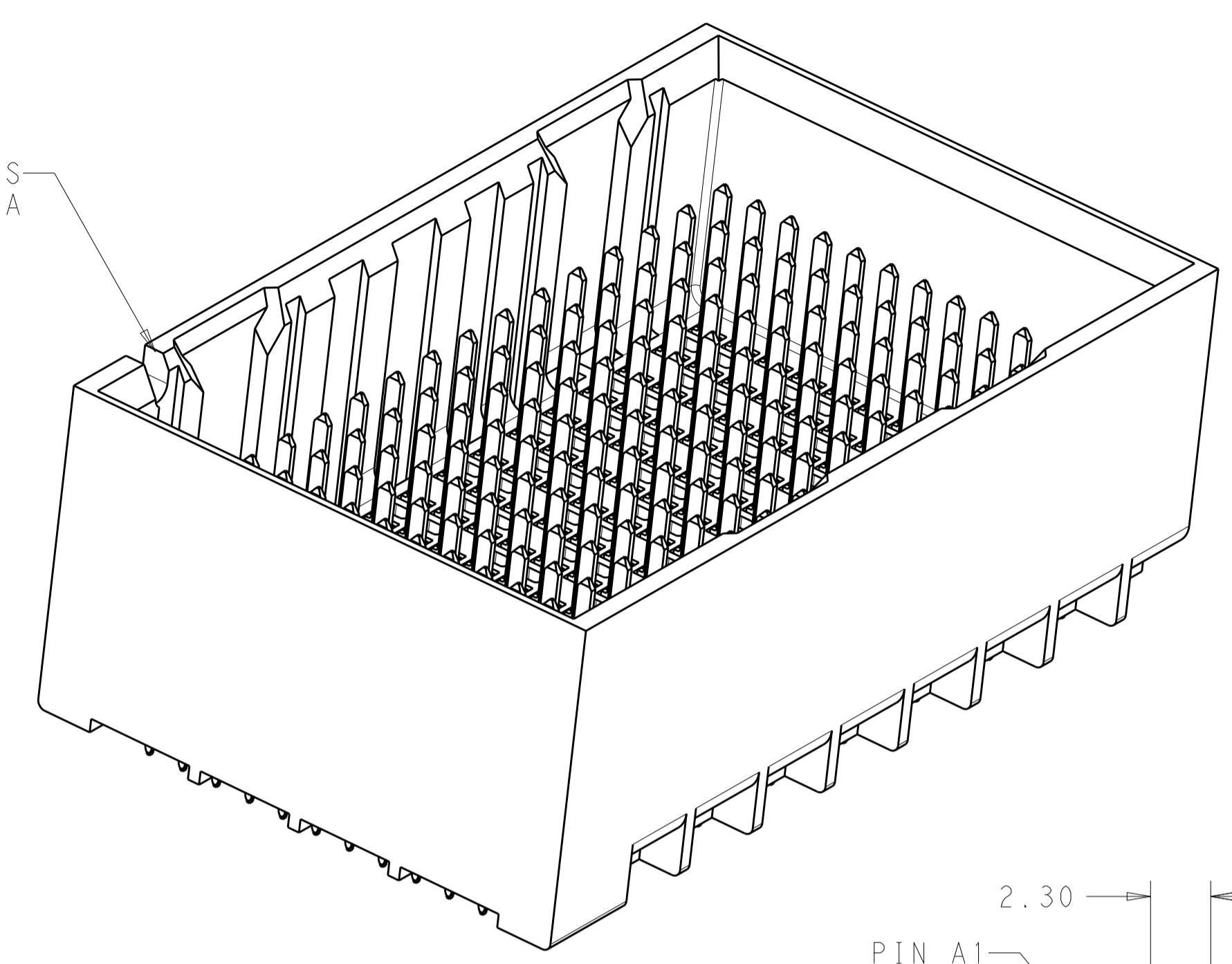


LOC		DIST		REVISIONS			
AD	00	P	LTN	DESCRIPTION	DATE	DWN	APVD
		A		REVISED PER ECO-15-001494	05FEB2015	AP	DD

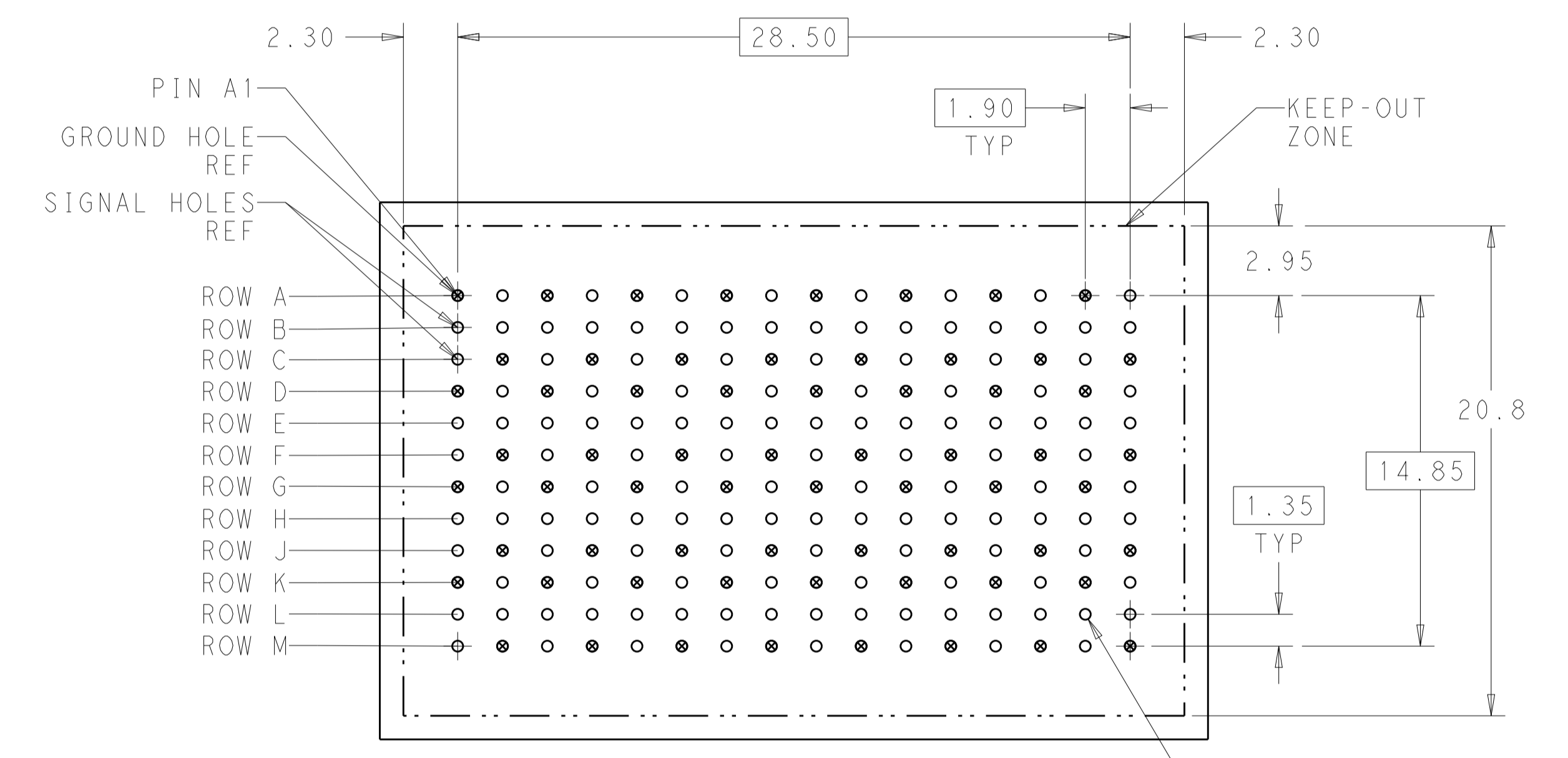


NOTCH DESIGNATES ROW A



⚠ MATERIAL:  
 HOUSING: LCP, GLASS FILLED, UL94V-0.  
 TERMINALS: HIGH PERFORMANCE COPPER ALLOY.

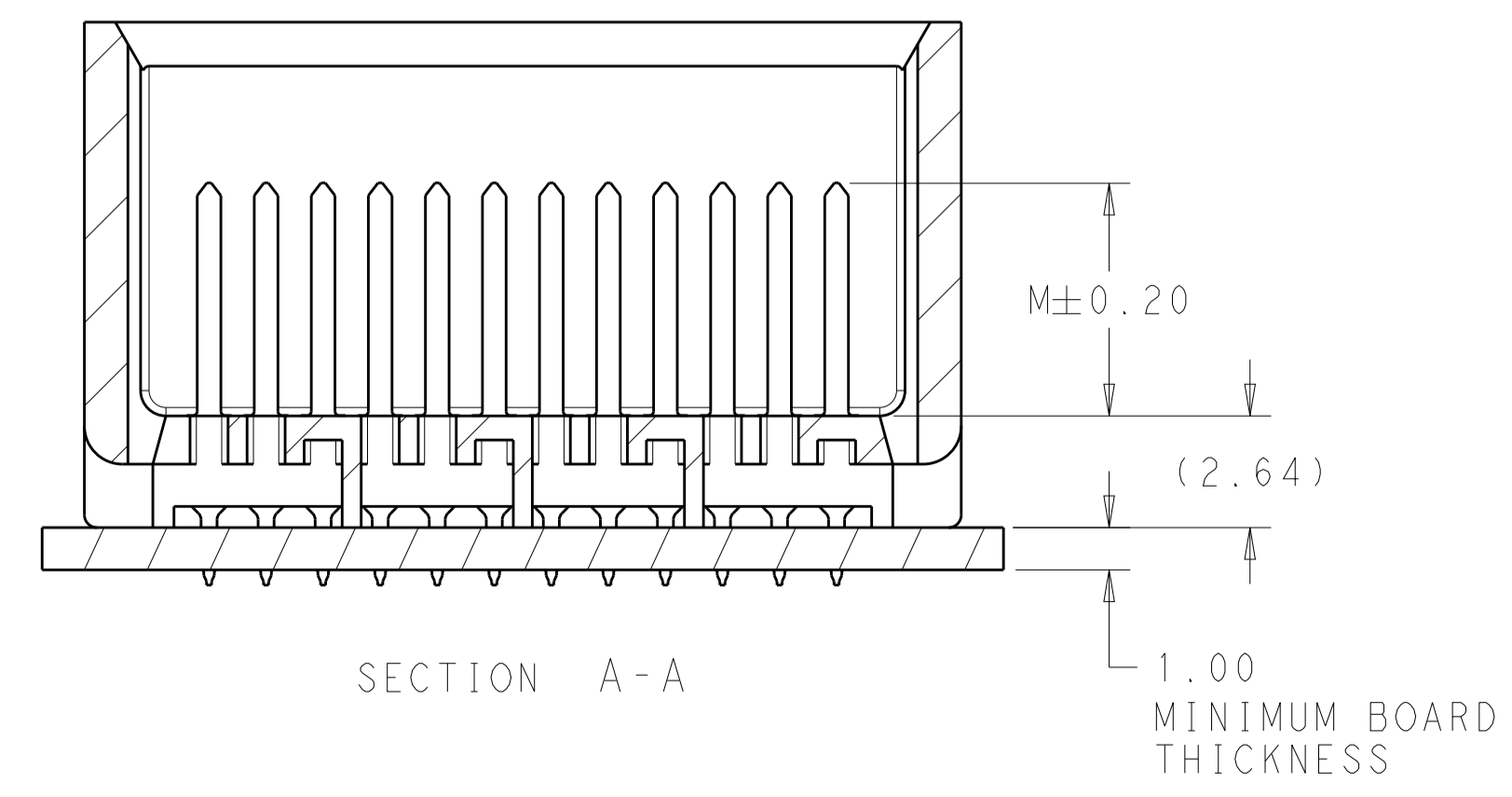
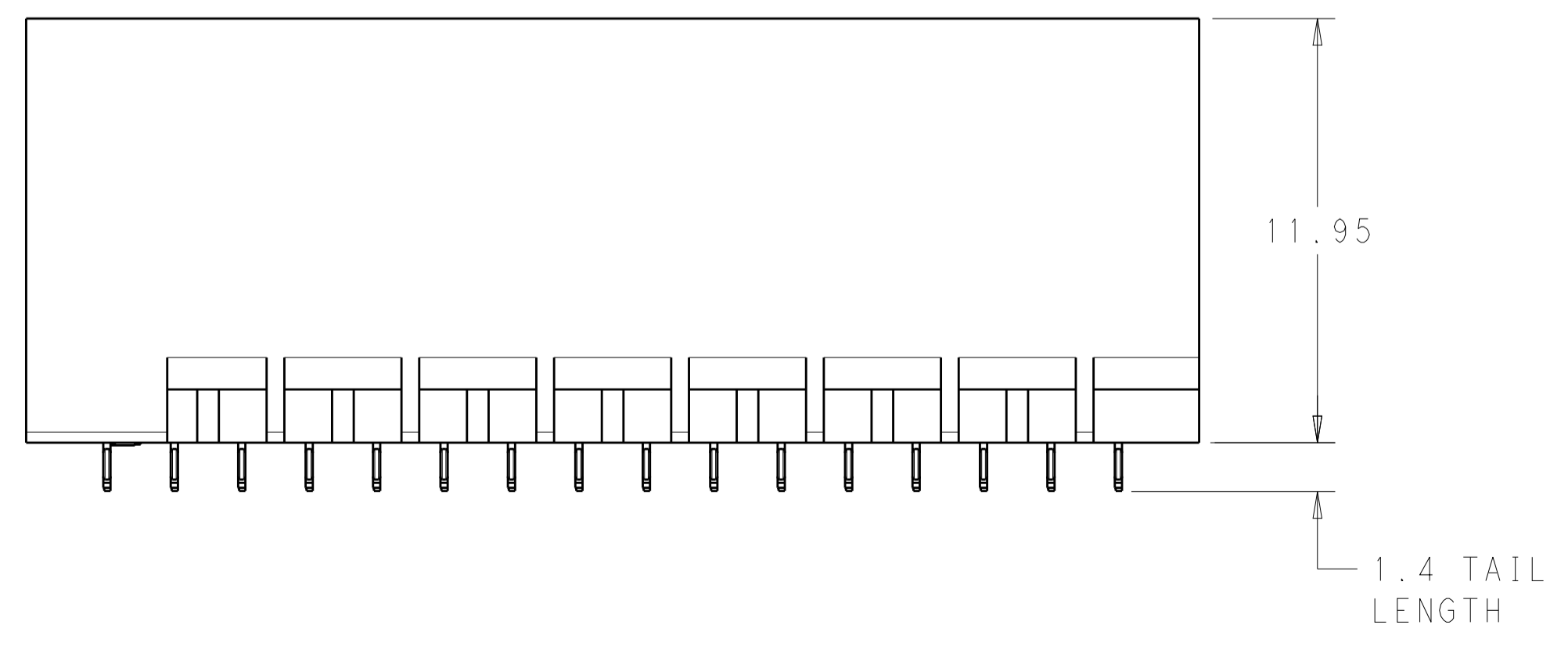
⚠ FINISH:  
 30μ" MIN GOLD IN CONTACT AREA. SELECTIVE TIN  
 ON PCB TAILS, NICKEL OVERALL.



192X Ø0.46±0.05  
 PLATED THRU HOLE

192X Ø0.55±0.013  
 DRILL HOLE  
 Ø0.10

UNGUIDED  
 BACKPLANE HOLE PATTERN  
 (CONNECTOR SIDE)



THIS DRAWING IS A CONTROLLED DOCUMENT.		DWN: KIRAN HOLAL 16MAY2013	TE Connectivity
DIMENSIONS: mm		CHK: D. DIXON 16MAY2013	
TOLERANCES UNLESS OTHERWISE SPECIFIED:		APVD: D. DIXON 16MAY2013	NAME: IMPACT, 4 PAIR, 16 COLUMN, HEADER
0 PLC	±	PRODUCT SPEC	UNGUIDED, DUAL END WALL
1 PLC	±0.25	APPLICATION SPEC	SIGNAL MODULE, 0.46 PTH
2 PLC	±0.13	SIZE	A100779C=2007834
3 PLC	±	WEIGHT	Customer Drawing
4 PLC	±	SCALE	6:1
ANGLES	±	SHEET	1 OF 2
FINISH	SEE TABLE	REV	A

THIS DRAWING IS UNPUBLISHED. RELEASED FOR PUBLICATION 20  
 © COPYRIGHT 20 BY - ALL RIGHTS RESERVED.

LOC	DIST	REVISIONS					
		P	LTN	DESCRIPTION	DATE	DWN	APVD
AD	00	-		SEE SHEET 1	-	-	-

FINISH	DIM M	PART NUMBER
	5.5	2007834-3
	4.9	2007834-2
	4.5	2007834-1

REFER TO WWW.TE.COM  
FOR PRODUCT AVAILABILITY

THIS DRAWING IS A CONTROLLED DOCUMENT.		DWN KIRAN HOLAL 16MAY2013		TE Connectivity	
		CHK D. DIXON 16MAY2013		NAME IMPACT, 4 PAIR, 16 COLUMN, HEADER UNGUIDED, DUAL END WALL SIGNAL MODULE, 0.46 PTH	
DIMENSIONS:		TOLERANCES UNLESS OTHERWISE SPECIFIED:		PRODUCT SPEC	
mm	0 PLC ±	0.25		APPLICATION SPEC	
	1 PLC ±0.13			SIZE	
	2 PLC ±			CAGE CODE	
	3 PLC ±			DRAWING NO	
	4 PLC ±			RESTRICTED TO	
	ANGLES ±			A100779C=2007834	
MATERIAL	FINISH	WEIGHT		SCALE	
-	SEE TABLE	-		5:1	
		Customer Drawing		SHEET 2 OF 2	
				REV A	