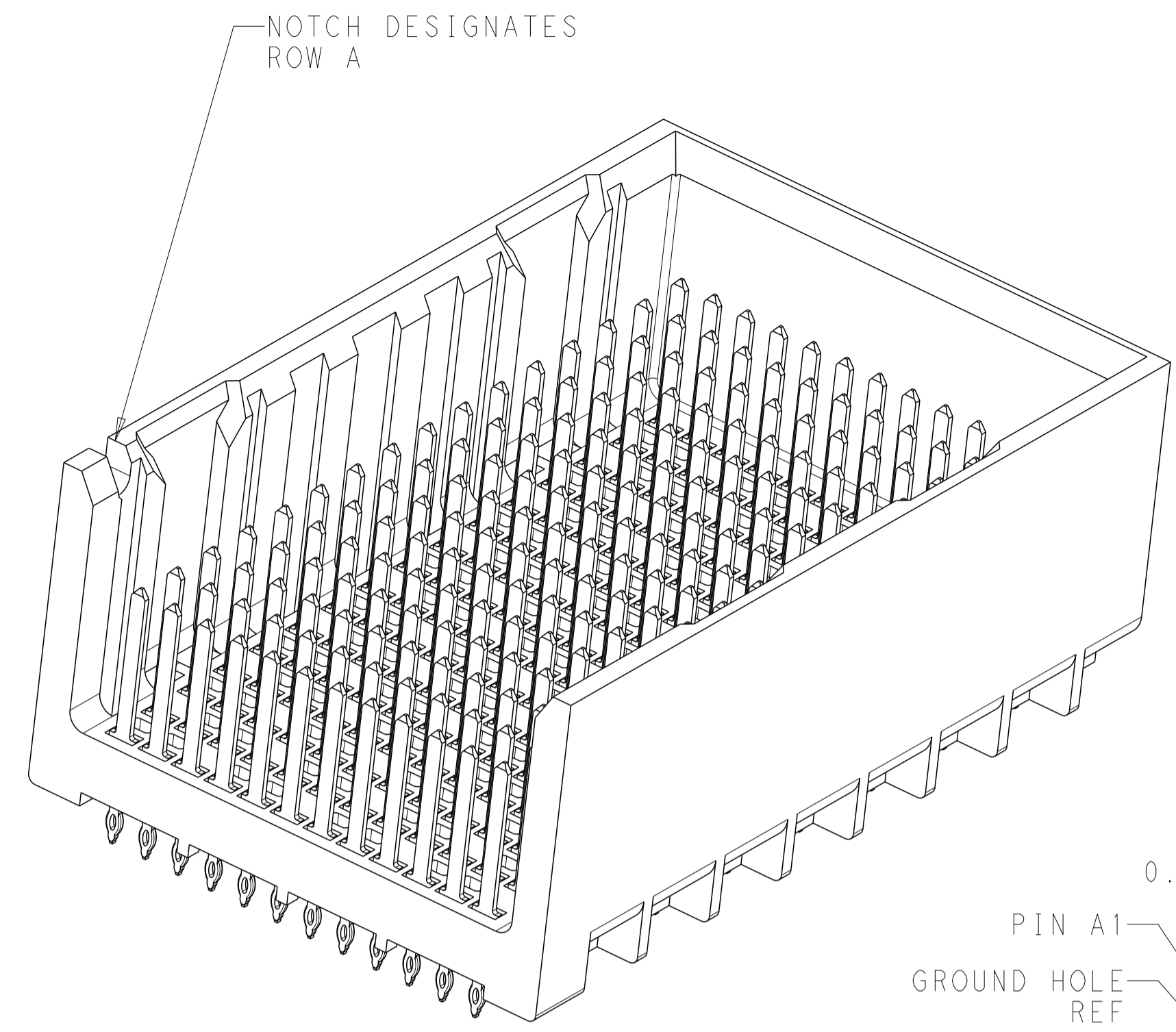
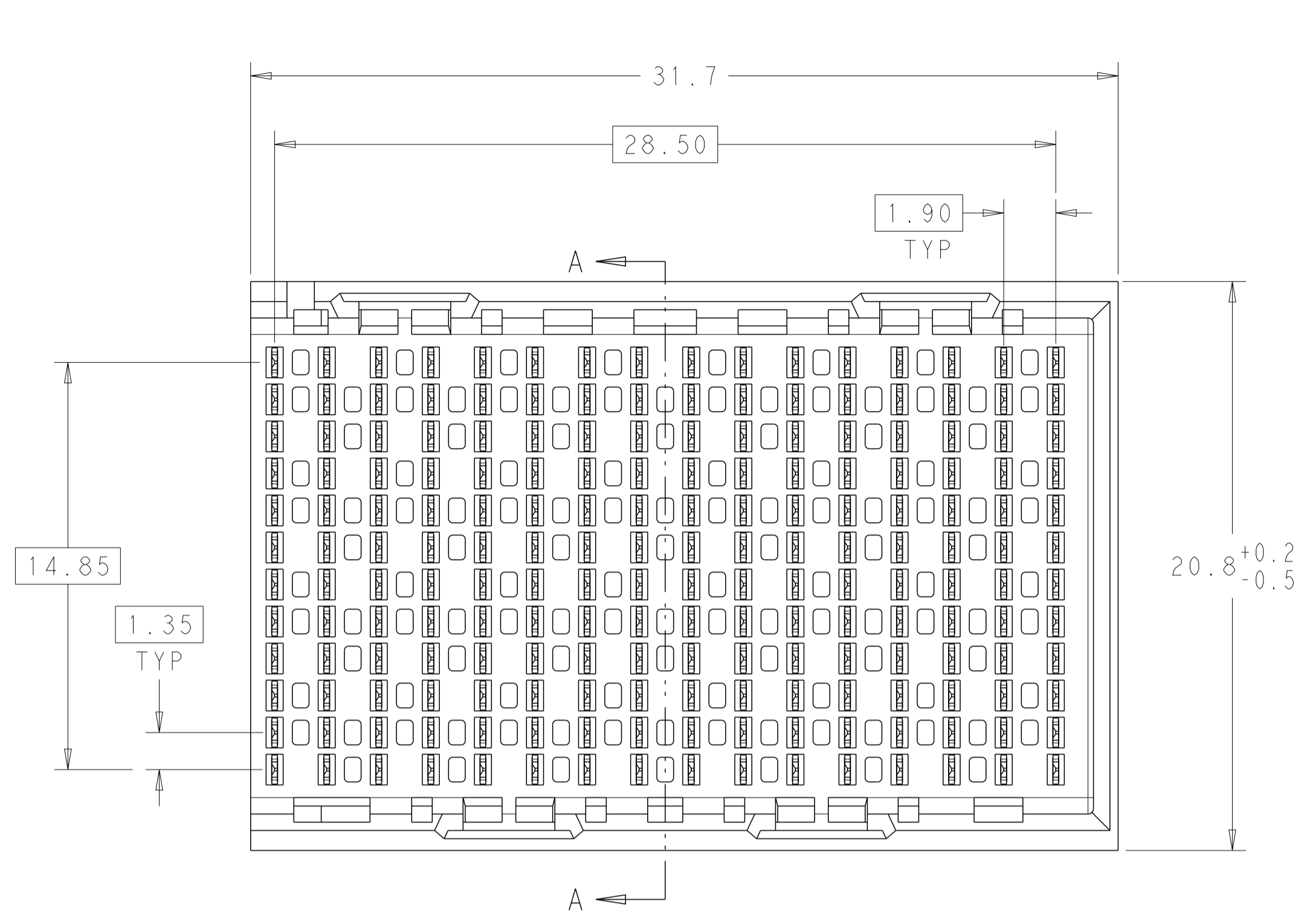
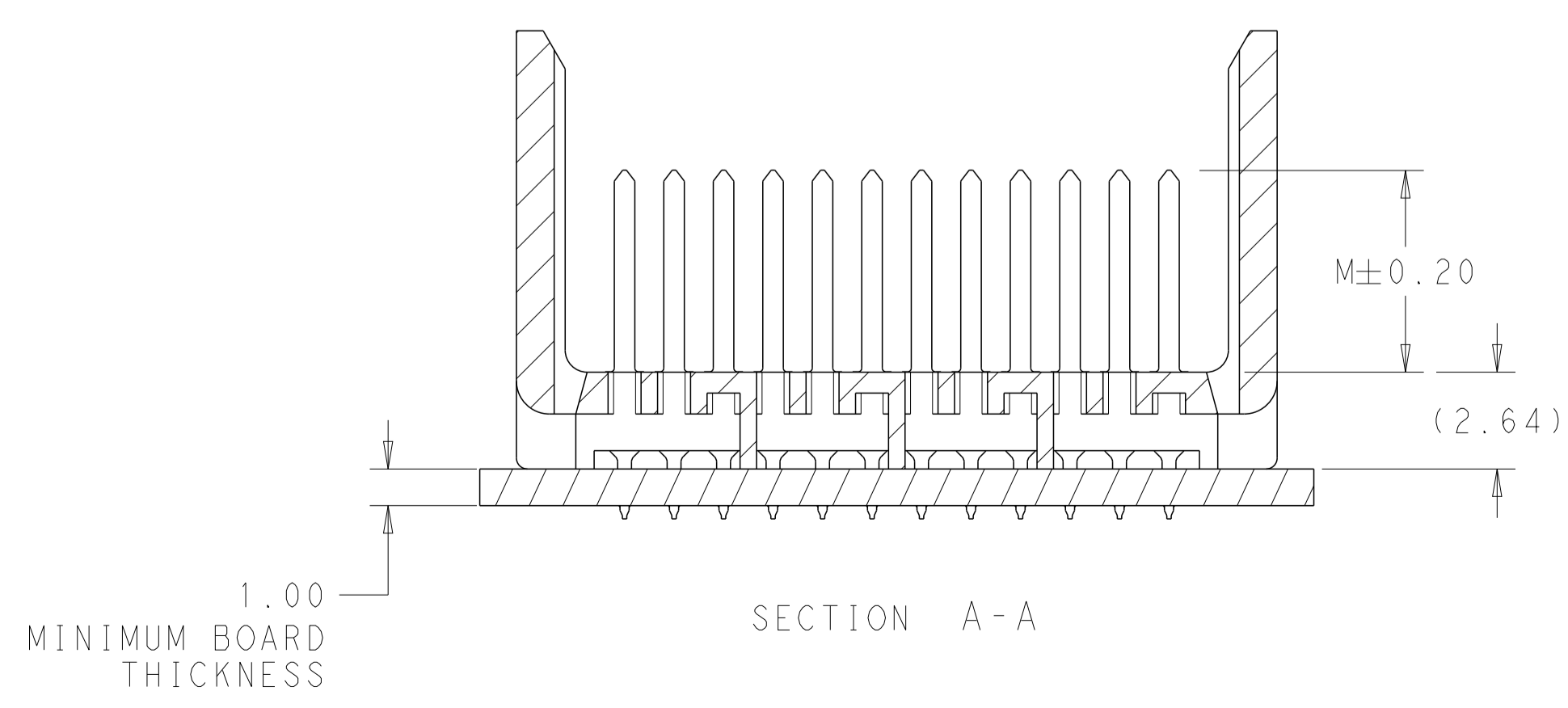
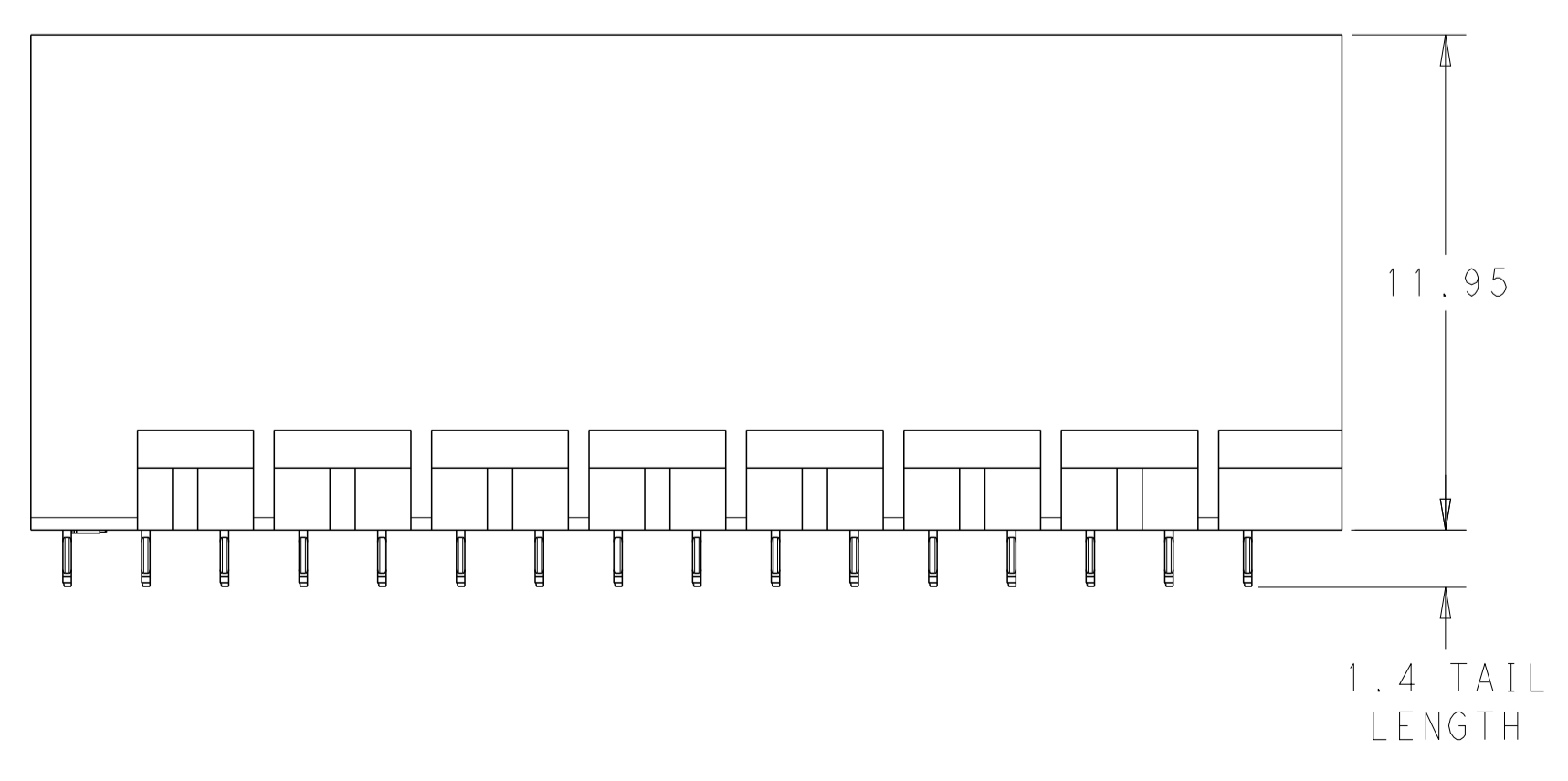
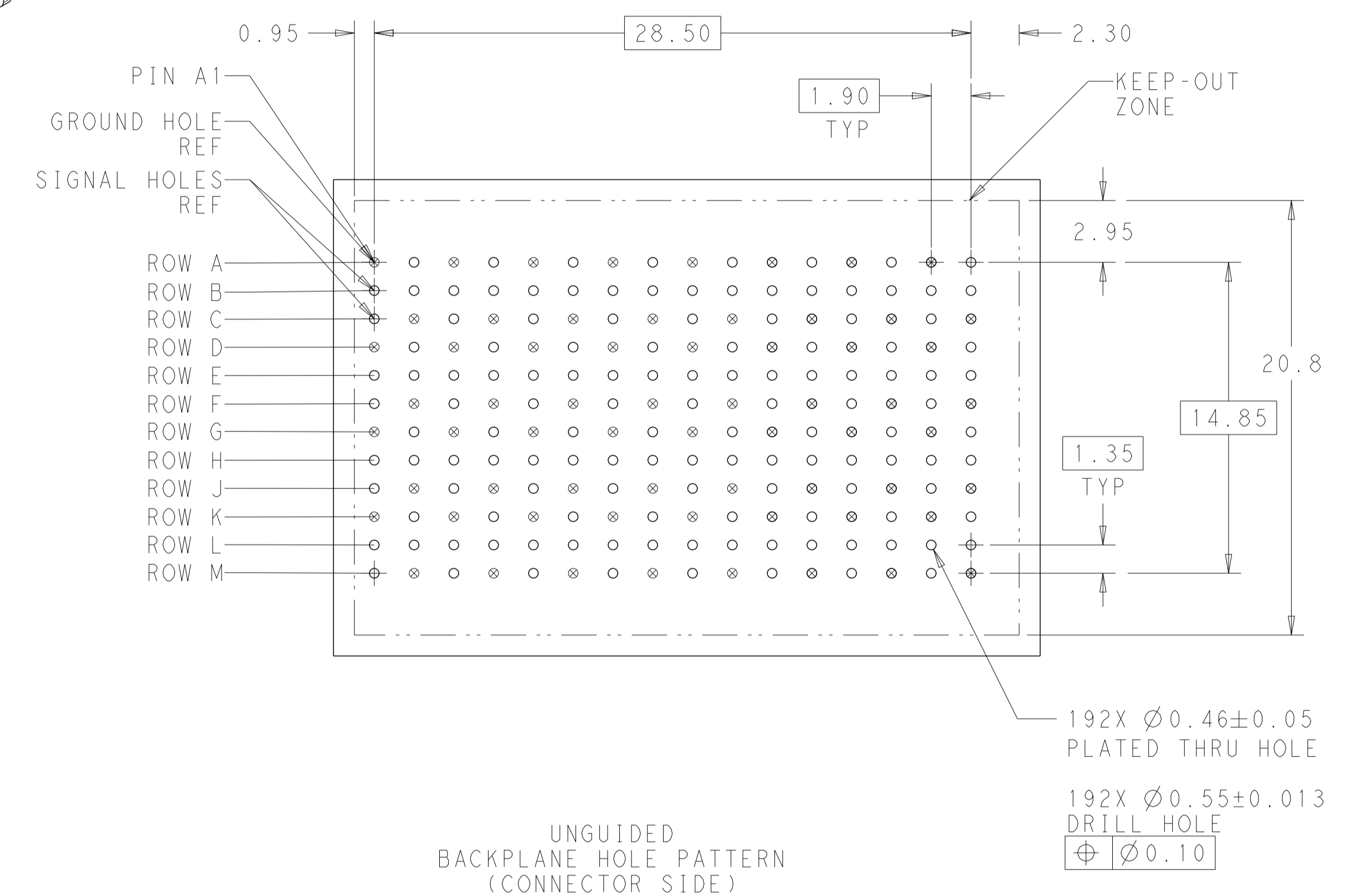


LOC		DIST		REVISIONS			
AD	00	P	LTN	DESCRIPTION	DATE	DWN	APVD
		A		REVISED PER ECO-15-001494	05FEB2015	AP	DD



⚠ MATERIAL:
 HOUSING: LCP, GLASS FILLED, UL94V-0.
 TERMINALS: HIGH PERFORMANCE COPPER ALLOY.

⚠ FINISH:
 30μ" MIN GOLD IN CONTACT AREA. SELECTIVE TIN
 ON PCB TAILS, NICKEL OVERALL.



THIS DRAWING IS A CONTROLLED DOCUMENT.		DWN: KIRAN HOLAL 04DEC2012	TE Connectivity
DIMENSIONS: mm		CHK: D. DIXON 04DEC2012	
TOLERANCES UNLESS OTHERWISE SPECIFIED: 0 PLC ±0.25 1 PLC ±0.13 2 PLC ±0.13 3 PLC ±0.13 4 PLC ±0.13 ANGLES ±0.13		APVD: D. DIXON 04DEC2012	NAME: IMPACT, 4 PAIR, 16 COLUMN, HEADER UNGUIDED, RIGHT END WALL SIGNAL MODULE, 0.46 PTH
MATERIAL: SEE TABLE		APPLICATION SPEC: -	SIZE: A100779
FINISH: SEE TABLE		WEIGHT: -	CAGE CODE: C=2007835
Customer Drawing		SCALE: 6:1	SHEET 1 OF 2 REV A

THIS DRAWING IS UNPUBLISHED. RELEASED FOR PUBLICATION 20
 © COPYRIGHT 20 BY - ALL RIGHTS RESERVED.

LOC	DIST	REVISIONS					
		P	LTN	DESCRIPTION	DATE	DWN	APVD
AD	00	-		SEE SHEET 1	-	-	-

FINISH	DIM M	PART NUMBER
\triangle	5.5	2007835-3
\triangle	4.9	2007835-2
\triangle	4.5	2007835-1

REFER TO WWW.TE.COM
FOR PRODUCT AVAILABILITY

THIS DRAWING IS A CONTROLLED DOCUMENT.		DWN KIRAN HOLHL 04DEC2012	
		CHK D. DIXON 04DEC2012	
DIMENSIONS:	TOLERANCES UNLESS OTHERWISE SPECIFIED:	APVD D. DIXON 04DEC2012	NAME IMPACT, 4 PAIR, 16 COLUMN, HEADER UNGUIDED, RIGHT END WALL SIGNAL MODULE, 0.46 PTH
mm	0 PLC ± 1 PLC ±0.25 2 PLC ±0.13 3 PLC ± 4 PLC ±	PRODUCT SPEC	SIZE A100779
	ANGLES ±	APPLICATION SPEC	CAGE CODE C=2007835
MATERIAL	FINISH SEE TABLE	WEIGHT	RESTRICTED TO
		Customer Drawing	SCALE 5:1 SHEET 2 OF 2 REV A