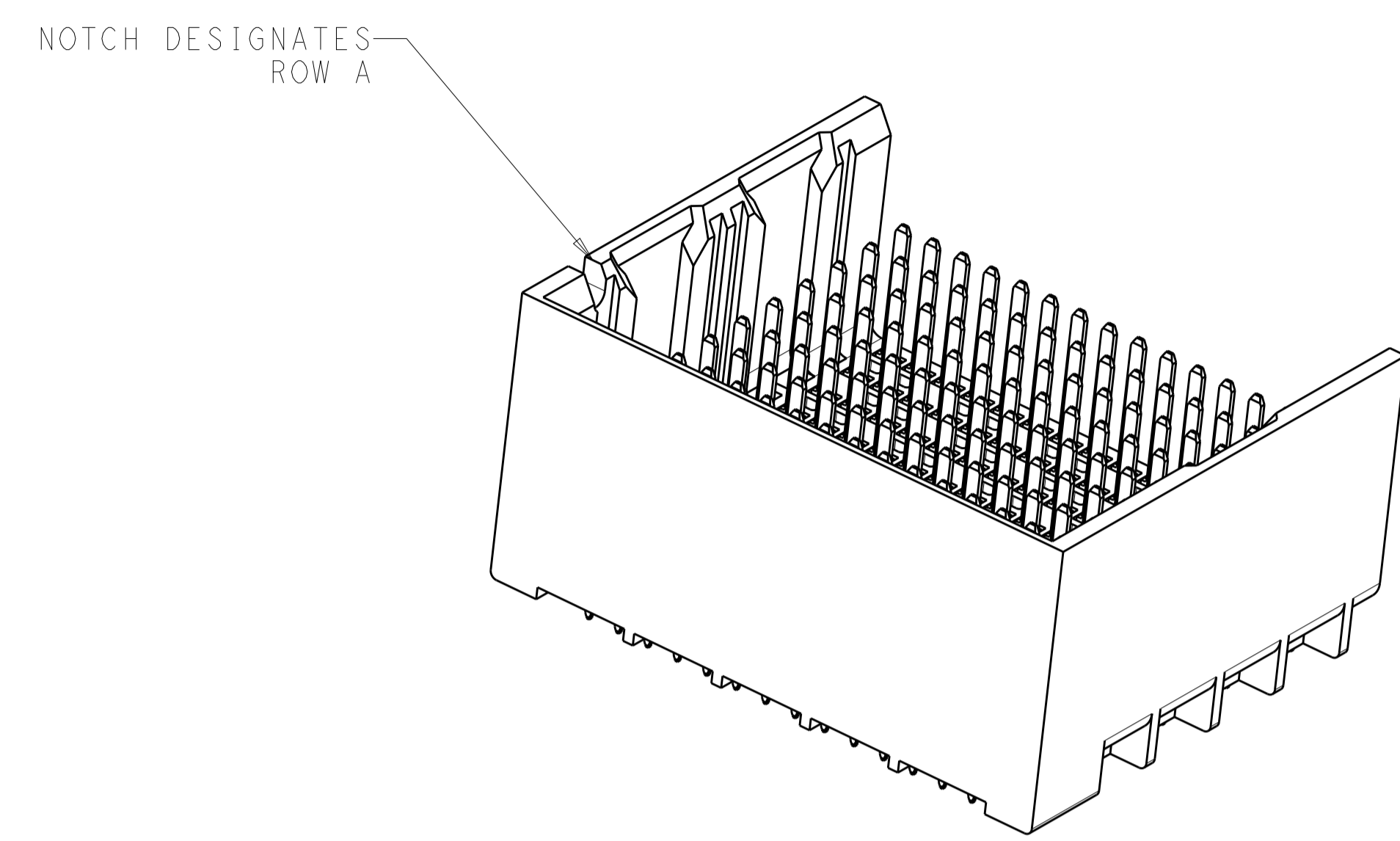
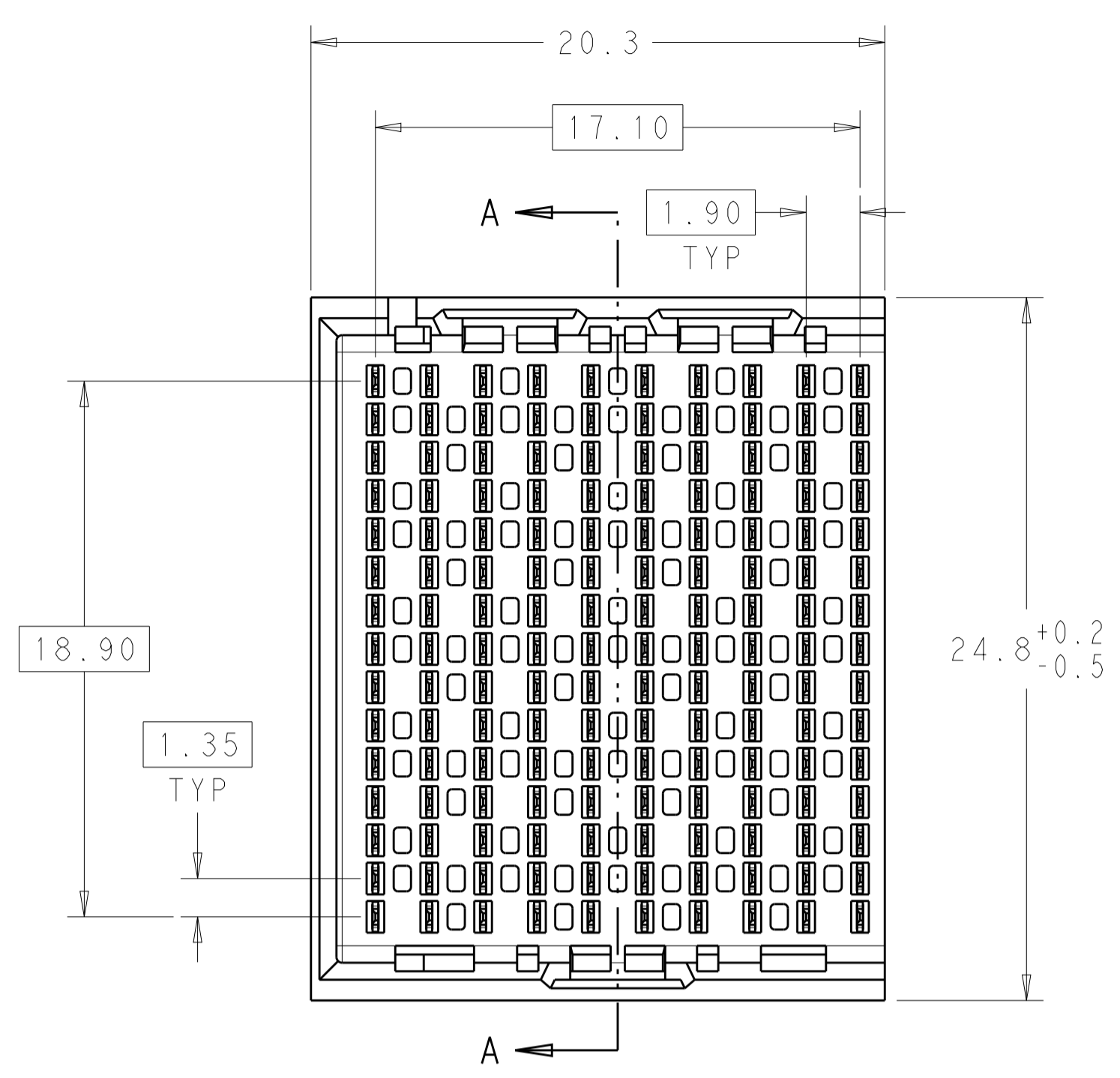
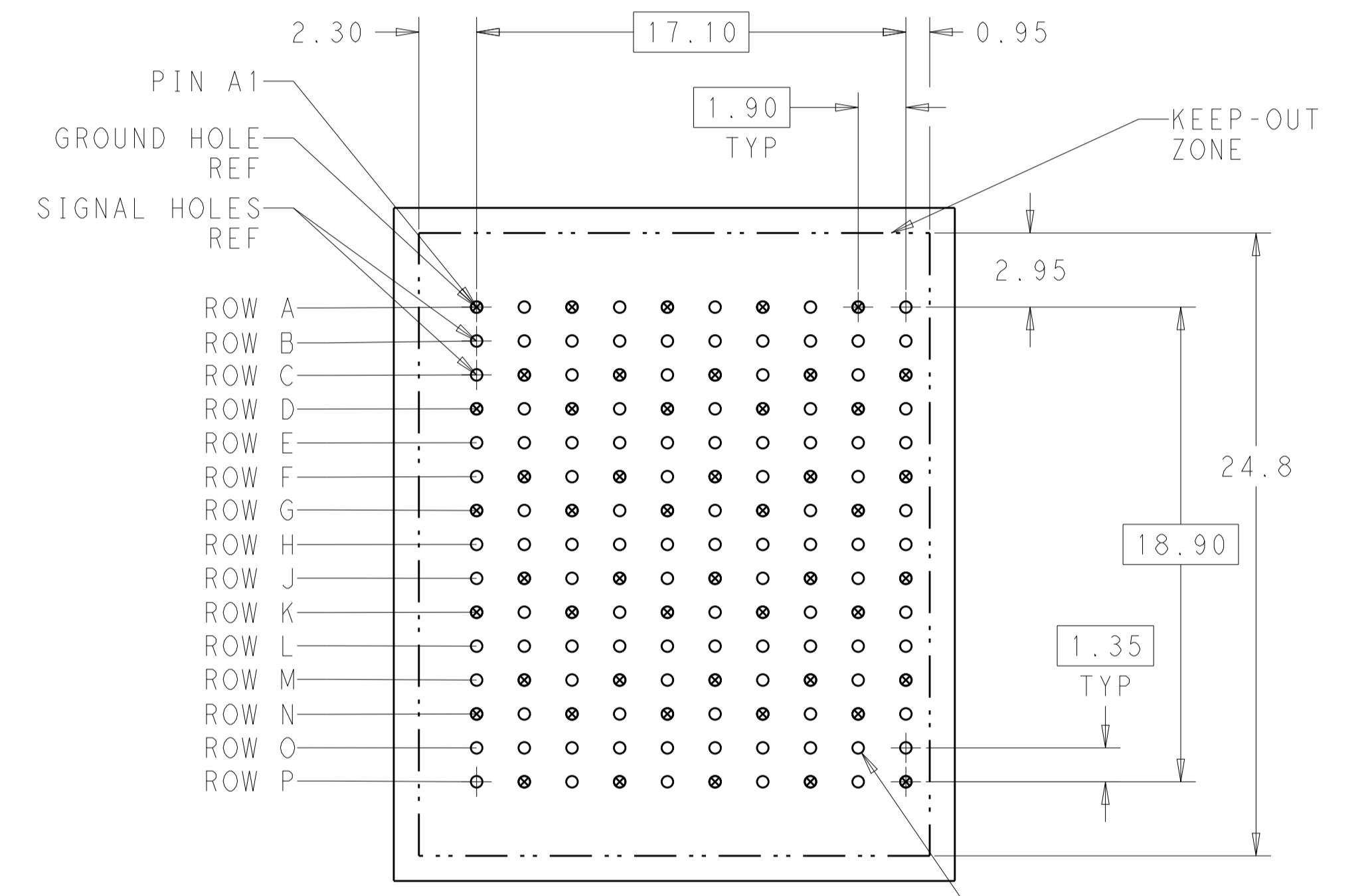


LOC		DIST		REVISIONS			
AD	00	P	LTN	DESCRIPTION	DATE	DWN	APVD
		A		CREATED BY AUTOMATION PROGRAM	09MAY2011	RKC	JE



- ⚠ MATERIAL:
HOUSING: LCP, GLASS FILLED, UL94V-0.
TERMINALS: HIGH PERFORMANCE COPPER ALLOY.
- ⚠ FINISH:
30μ" MIN GOLD IN CONTACT AREA. SELECTIVE TIN ON PCB TAILS, NICKEL OVERALL.
- ⚠ FINISH:
30μ" MIN GOLD IN CONTACT AREA. SELECTIVE TIN-LEAD ON PCB TAILS, NICKEL OVERALL.

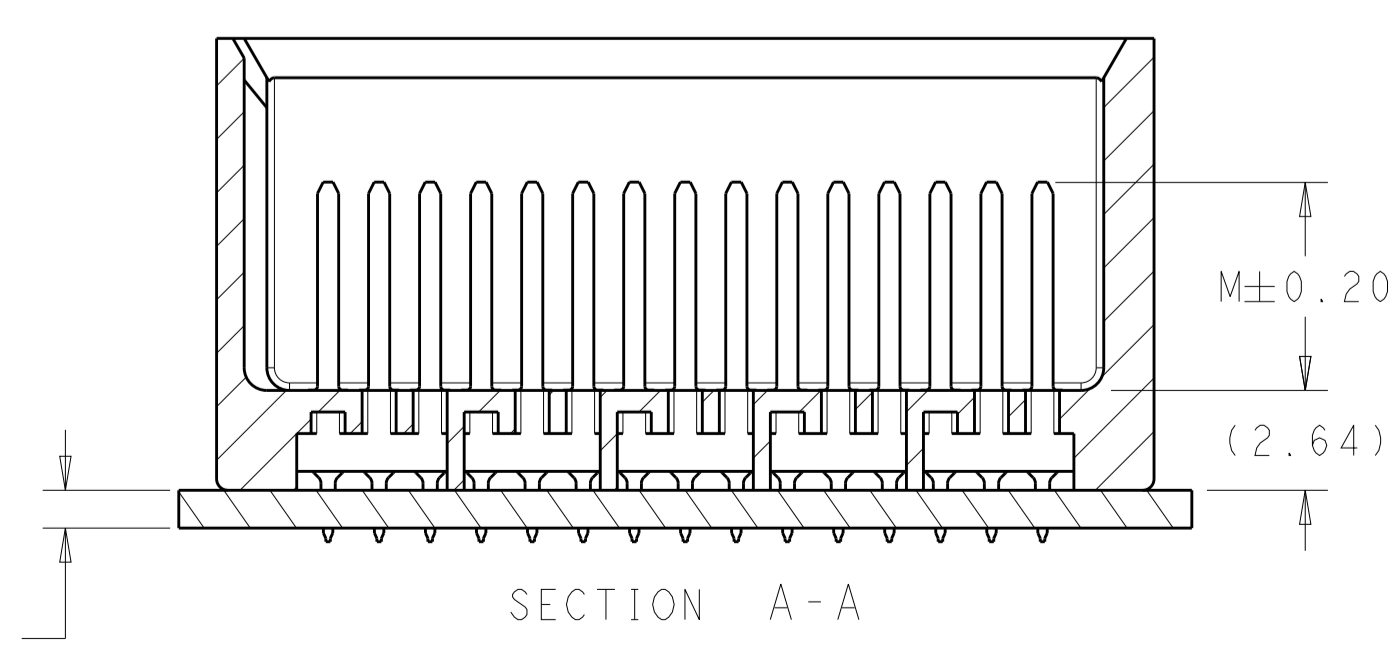
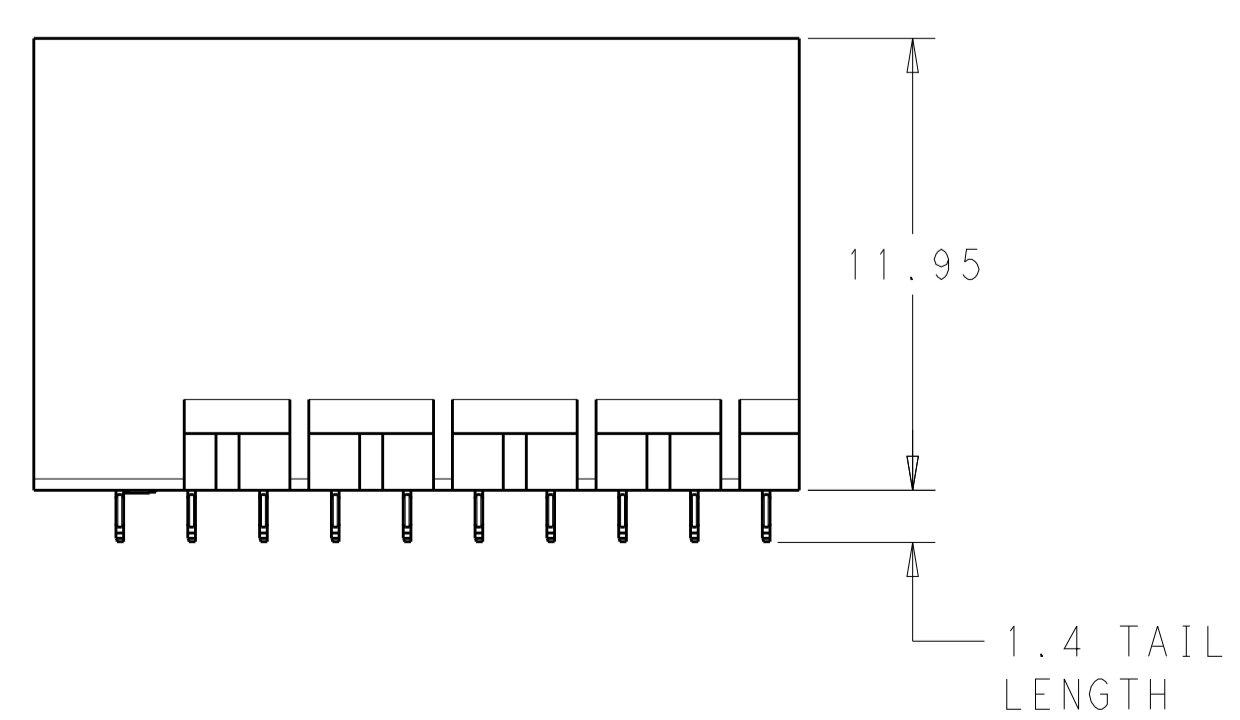


150X Ø0.46±0.05
PLATED THRU HOLE

150X Ø0.55±0.013
DRILL HOLE

⊕ Ø0.10

UNGUIDED
BACKPLANE HOLE PATTERN
(CONNECTOR SIDE)



THIS DRAWING IS A CONTROLLED DOCUMENT.		DWN: R. COELLO 09MAY2011	TE Connectivity
DIMENSIONS: mm		CHK: J. EARY 09MAY2011	
TOLERANCES UNLESS OTHERWISE SPECIFIED:		APVD: J. EARY 09MAY2011	NAME: IMPACT, 5 PAIR, 10 COLUMN, HEADER UNGUIDED, LEFT END WALL SIGNAL MODULE, 0.46 PTH
0 PLC ±0.25		PRODUCT SPEC	
1 PLC ±0.13		APPLICATION SPEC	SIZE: A100779C=2007849
2 PLC ±0.10		WEIGHT	RESTRICTED TO
3 PLC ±0.08		CUSTOMER DRAWING	SCALE: 5:1 SHEET 1 OF 2 REV A
4 PLC ±0.05			
ANGLES			
FINISH: SEE TABLE			

THIS DRAWING IS UNPUBLISHED. RELEASED FOR PUBLICATION 20
 © COPYRIGHT 20 BY - ALL RIGHTS RESERVED.

LOC	DIST	REVISIONS					
		P	LTN	DESCRIPTION	DATE	DMN	APVD
AD	00	-	-	SEE SHEET 1	-	-	-

FINISH	DIM M	PART NUMBER
\triangle_3	5.5	2007849-6
\triangle_3	4.9	2007849-5
\triangle_3	4.5	2007849-4
\triangle_2	5.5	2007849-3
\triangle_2	4.9	2007849-2
\triangle_2	4.5	2007849-1

REFER TO WWW.TE.COM
FOR PRODUCT AVAILABILITY

THIS DRAWING IS A CONTROLLED DOCUMENT.		DMN R. COELLO 09MAY2011	
		CHK J. EARY 09MAY2011	
DIMENSIONS:		APVD J. EARY 09MAY2011	NAME IMPACT, 5 PAIR, 10 COLUMN, HEADER UNGUIDED, LEFT END WALL SIGNAL MODULE, 0.46 PTH
TOLERANCES UNLESS OTHERWISE SPECIFIED:		PRODUCT SPEC	
mm	0 PLC ±	APPLICATION SPEC	SIZE CAGE CODE DRAWING NO RESTRICTED TO
	1 PLC ±0.25	WEIGHT	A100779C=2007849
	2 PLC ±0.13	CUSTOMER DRAWING	SCALE 5:1 SHEET 2 OF 2 REV A
	3 PLC ±		
	4 PLC ±		
	ANGLES ±		
MATERIAL	FINISH SEE TABLE		