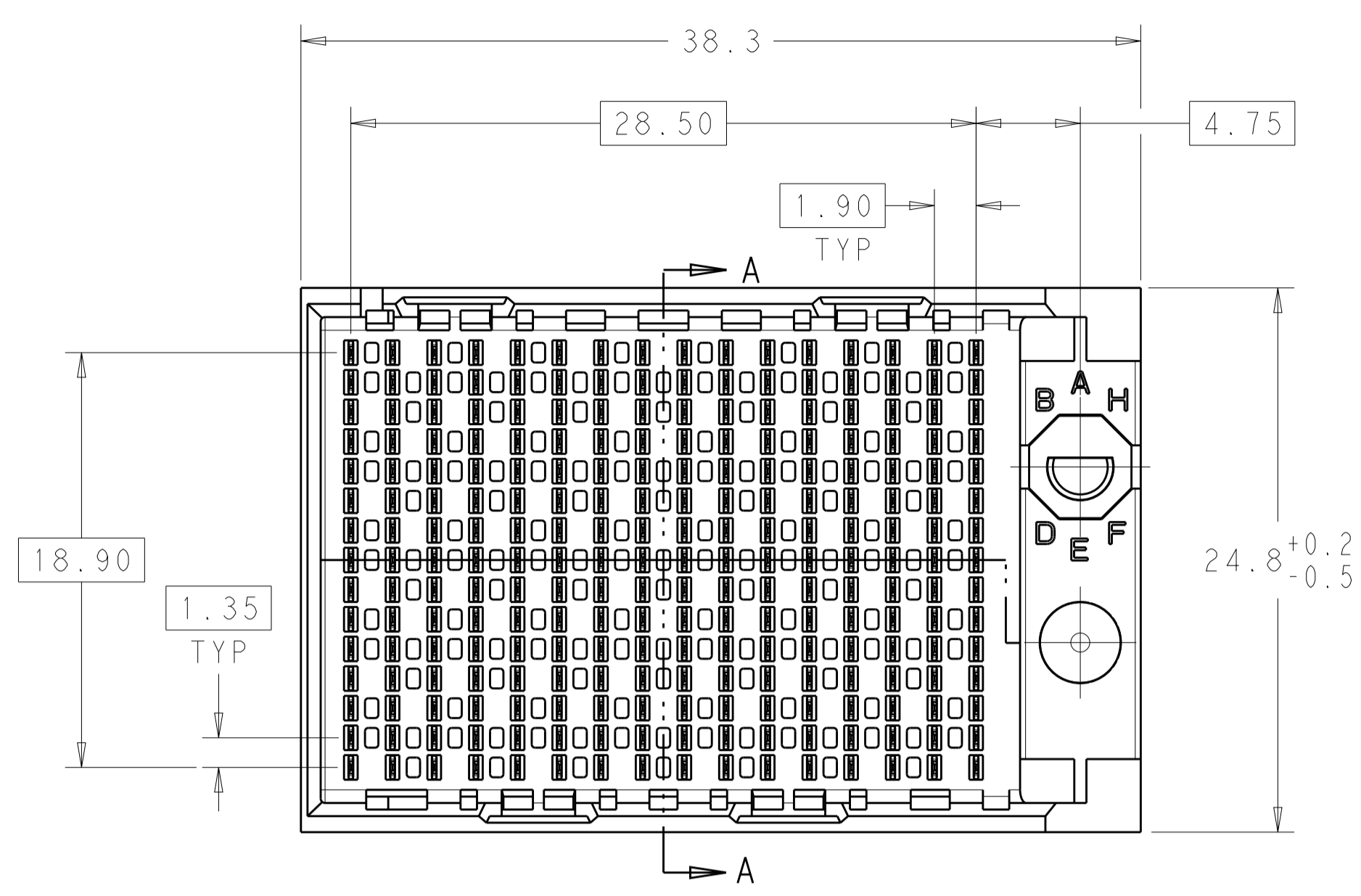
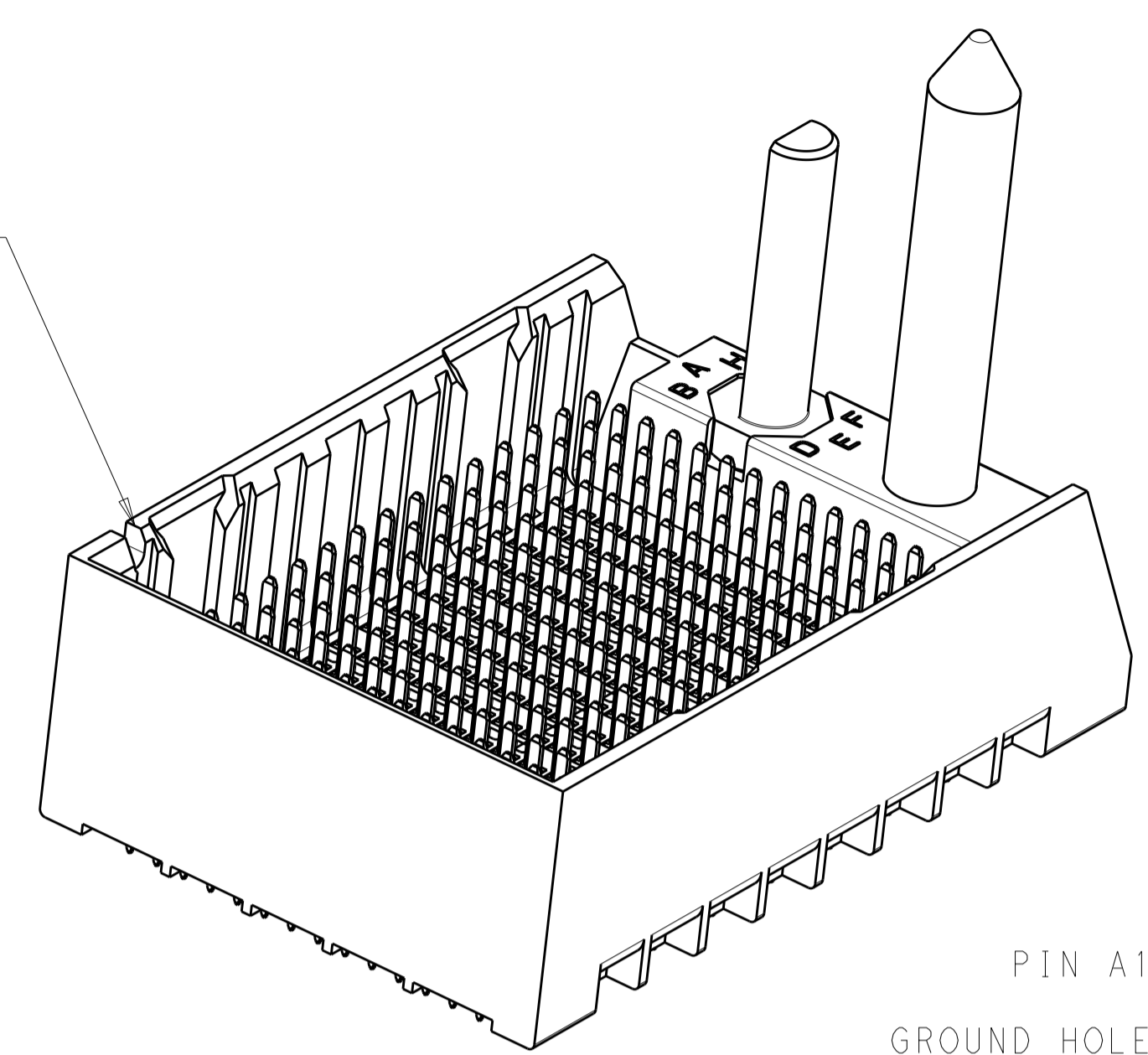


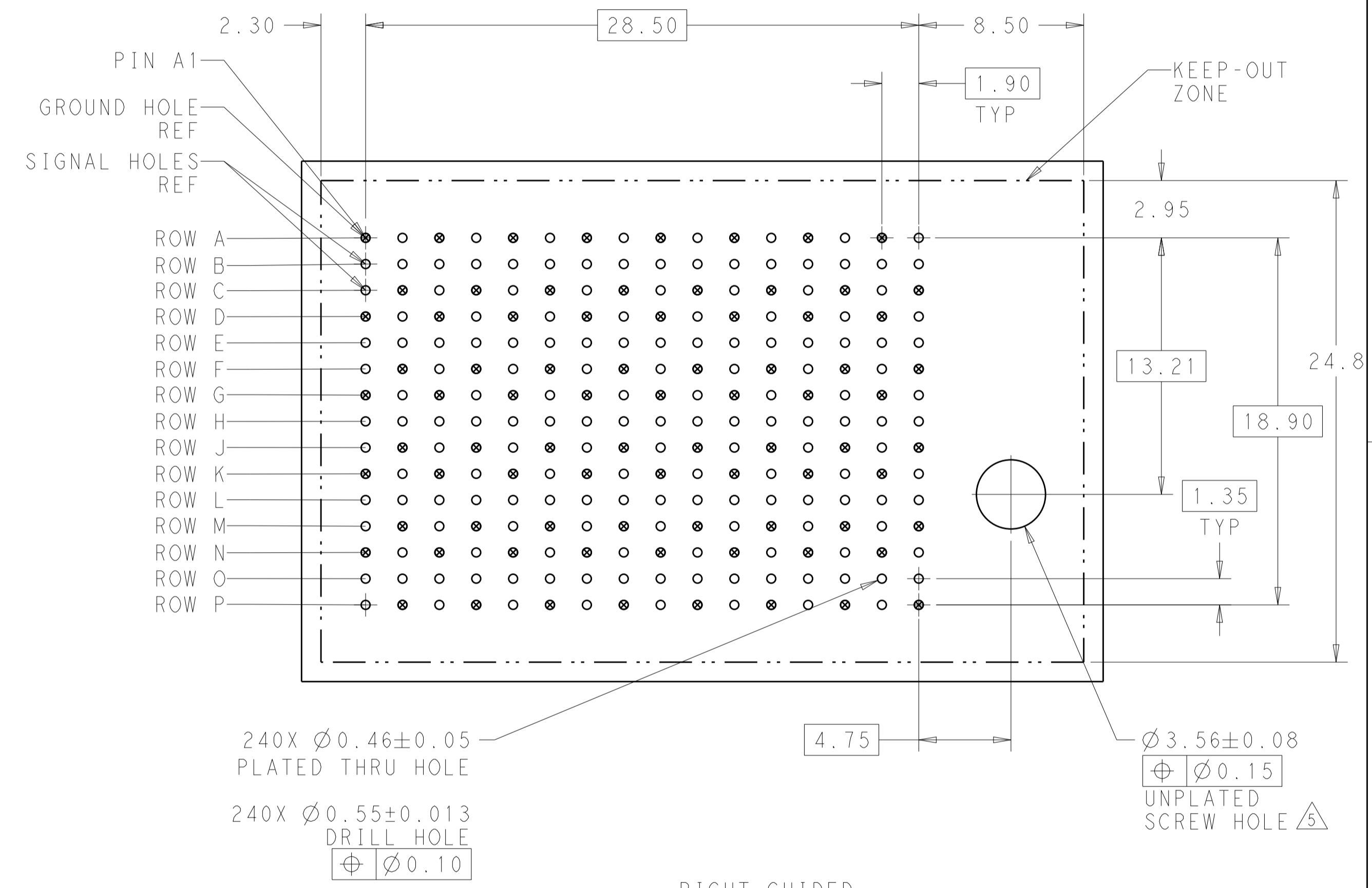
LOC	DIST	REVISIONS					
		P	LTN	DESCRIPTION	DATE	DWN	APVD
AD	00	A		CREATED BY AUTOMATION PROGRAM	10MAY2011	RKC	JE



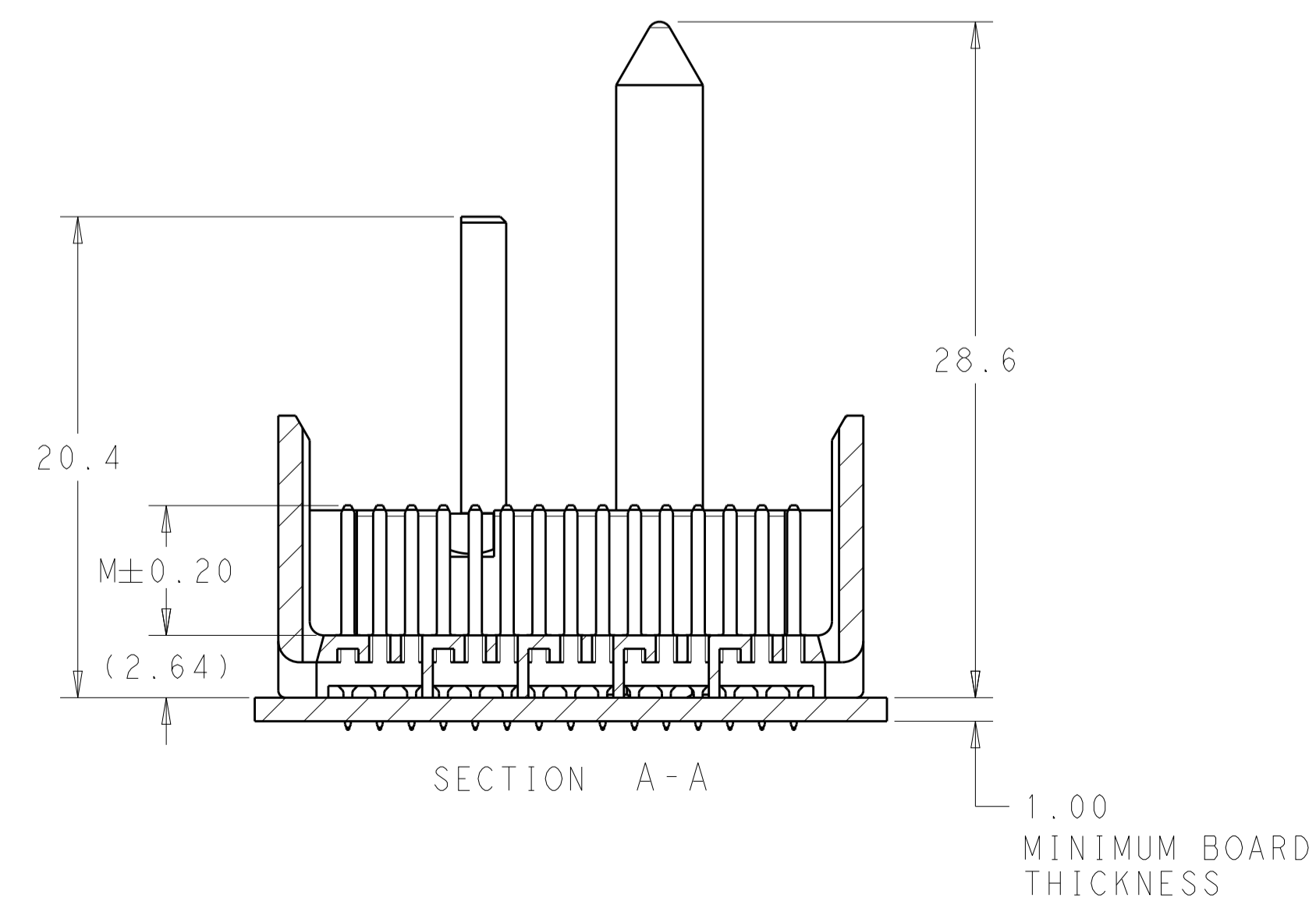
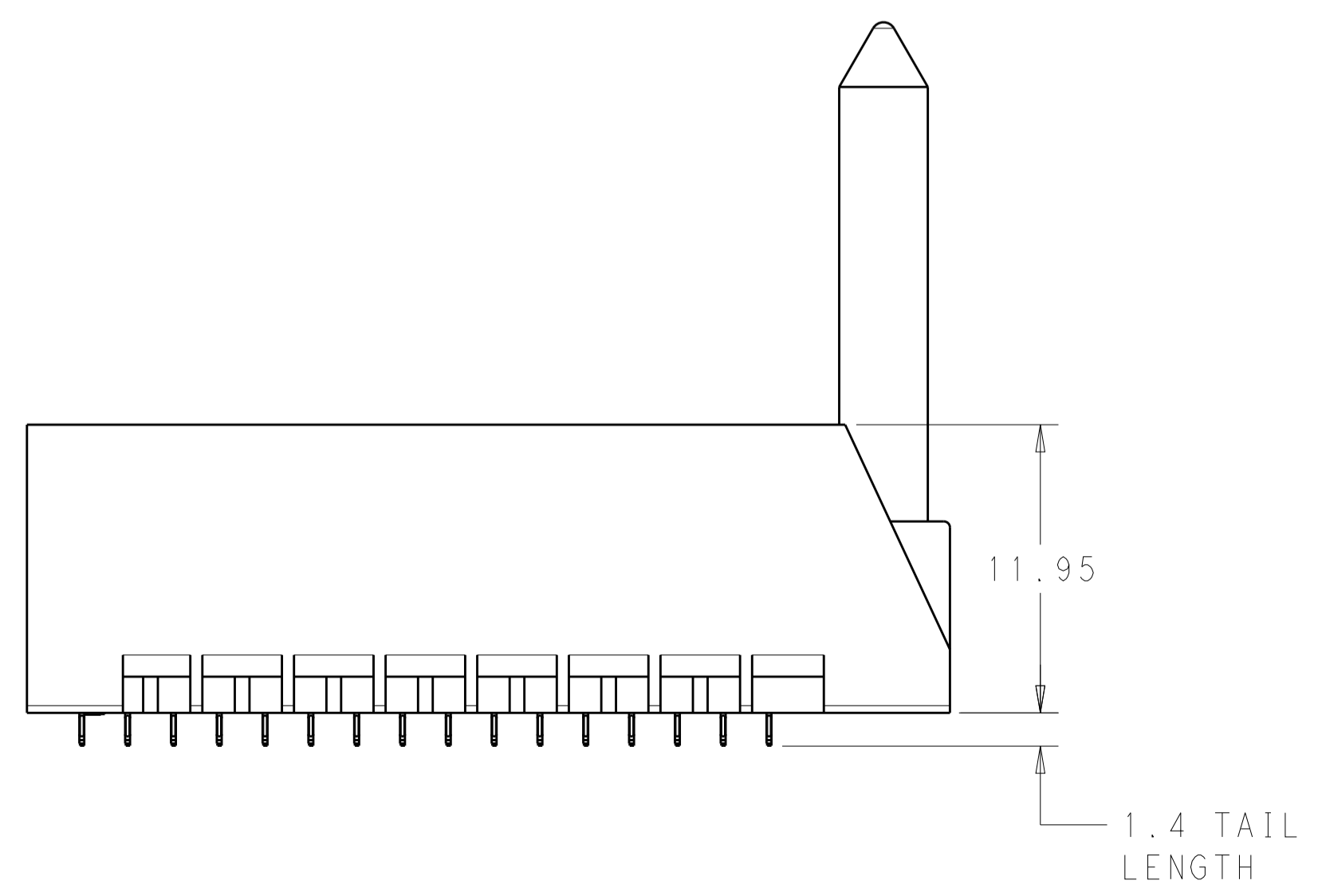
NOTCH DESIGNATES ROW A



- 1 MATERIAL:
HOUSING: LCP, GLASS FILLED, UL94V-0.
TERMINALS: HIGH PERFORMANCE COPPER ALLOY.
- 2 FINISH:
30μ" MIN GOLD IN CONTACT AREA. SELECTIVE TIN ON PCB TAILS, NICKEL OVERALL.
- 3 FINISH:
30μ" MIN GOLD IN CONTACT AREA. SELECTIVE TIN-LEAD ON PCB TAILS, NICKEL OVERALL.
- 4. SCREWS PACKAGED IN END OF PACKAGING TUBE.
- 5 FOR GROUNDED GUIDE PIN USE $\varnothing 3.56 \pm 0.08$ PTH, $\varnothing 3.66$ DRILL, AND $\varnothing 6.5$ PAD.
- 6. KEYING PIN SHOWN IN POSITION A, SEE KEYING CHART ON SHEET 2 FOR OTHER POSITIONS.



RIGHT GUIDED BACKPLANE HOLE PATTERN (CONNECTOR SIDE)

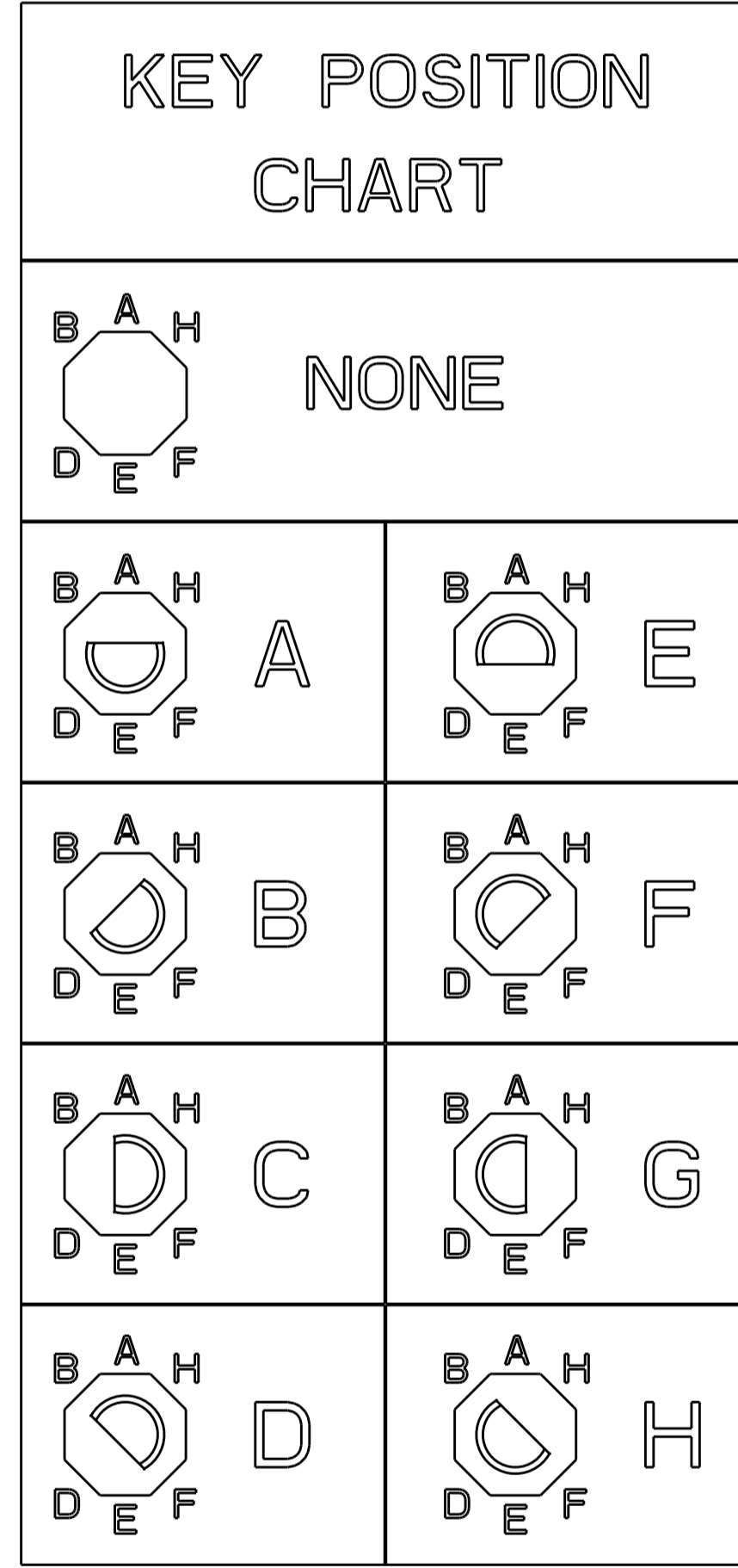


THIS DRAWING IS A CONTROLLED DOCUMENT.		DWN R. COELLO 09MAY2011	TE Connectivity
DIMENSIONS: mm		CHK J. EARY 09MAY2011	
TOLERANCES UNLESS OTHERWISE SPECIFIED:		APVD J. EARY 09MAY2011	NAME IMPACT, 5 PAIR, 16 COLUMN, HEADER RIGHT GUIDED, LEFT END WALL SIGNAL MODULE, 0.46 PTH
0 PLC ±	1 PLC ±0.25	PRODUCT SPEC	SIZE CAGE CODE DRAWING NO RESTRICTED TO
2 PLC ±0.13	3 PLC ±	APPLICATION SPEC	A100779C=2007862
4 PLC ±	ANGLES ±	WEIGHT	SCALE 4:1 SHEET 1 OF 2 REV A
MATERIAL	FINISH SEE TABLE	CUSTOMER DRAWING	

THIS DRAWING IS UNPUBLISHED. RELEASED FOR PUBLICATION 20
 © COPYRIGHT 20 BY - ALL RIGHTS RESERVED.

LOC		DIST		REVISIONS			
AD	00	P	LTN	DESCRIPTION	DATE	DWN	APVD
		-		SEE SHEET 1		-	-

3	H	5.5	8-2007862-6
3	H	4.9	8-2007862-5
3	H	4.5	8-2007862-4
2	H	5.5	8-2007862-3
2	H	4.9	8-2007862-2
2	H	4.5	8-2007862-1
3	G	5.5	7-2007862-6
3	G	4.9	7-2007862-5
3	G	4.5	7-2007862-4
2	G	5.5	7-2007862-3
2	G	4.9	7-2007862-2
2	G	4.5	7-2007862-1
3	F	5.5	6-2007862-6
3	F	4.9	6-2007862-5
3	F	4.5	6-2007862-4
2	F	5.5	6-2007862-3
2	F	4.9	6-2007862-2
2	F	4.5	6-2007862-1
3	E	5.5	5-2007862-6
3	E	4.9	5-2007862-5
3	E	4.5	5-2007862-4
2	E	5.5	5-2007862-3
2	E	4.9	5-2007862-2
2	E	4.5	5-2007862-1
3	D	5.5	4-2007862-6
3	D	4.9	4-2007862-5
3	D	4.5	4-2007862-4
2	D	5.5	4-2007862-3
2	D	4.9	4-2007862-2
2	D	4.5	4-2007862-1
3	C	5.5	3-2007862-6
3	C	4.9	3-2007862-5
3	C	4.5	3-2007862-4
2	C	5.5	3-2007862-3
2	C	4.9	3-2007862-2
2	C	4.5	3-2007862-1
3	B	5.5	2-2007862-6
3	B	4.9	2-2007862-5
3	B	4.5	2-2007862-4
2	B	5.5	2-2007862-3
2	B	4.9	2-2007862-2
2	B	4.5	2-2007862-1
3	A	5.5	1-2007862-6
3	A	4.9	1-2007862-5
3	A	4.5	1-2007862-4
2	A	5.5	1-2007862-3
2	A	4.9	1-2007862-2
2	A	4.5	1-2007862-1
3	-	5.5	2007862-6
3	-	4.9	2007862-5
3	-	4.5	2007862-4
2	-	5.5	2007862-3
2	-	4.9	2007862-2
2	-	4.5	2007862-1
FINISH	KEY POSITION	DIM M	PART NUMBER



REFER TO WWW.TE.COM
FOR PRODUCT AVAILABILITY

THIS DRAWING IS A CONTROLLED DOCUMENT.		DWN R. COELLO 09MAY2011 CHK J. EARY 09MAY2011 APVD J. EARY 09MAY2011	TE Connectivity
DIMENSIONS: mm	TOLERANCES UNLESS OTHERWISE SPECIFIED: 0 PLC ±0.25 1 PLC ±0.13 2 PLC ±0.13 3 PLC ±0.13 4 PLC ±0.13 ANGLES ±0.13	NAME IMPACT, 5 PAIR, 16 COLUMN, HEADER RIGHT GUIDED, LEFT END WALL SIGNAL MODULE, 0.46 PTH	
MATERIAL	FINISH SEE TABLE	WEIGHT -	RESTRICTED TO A100779C=2007862
CUSTOMER DRAWING		SCALE 5:1	SHEET 2 OF 2 REV A