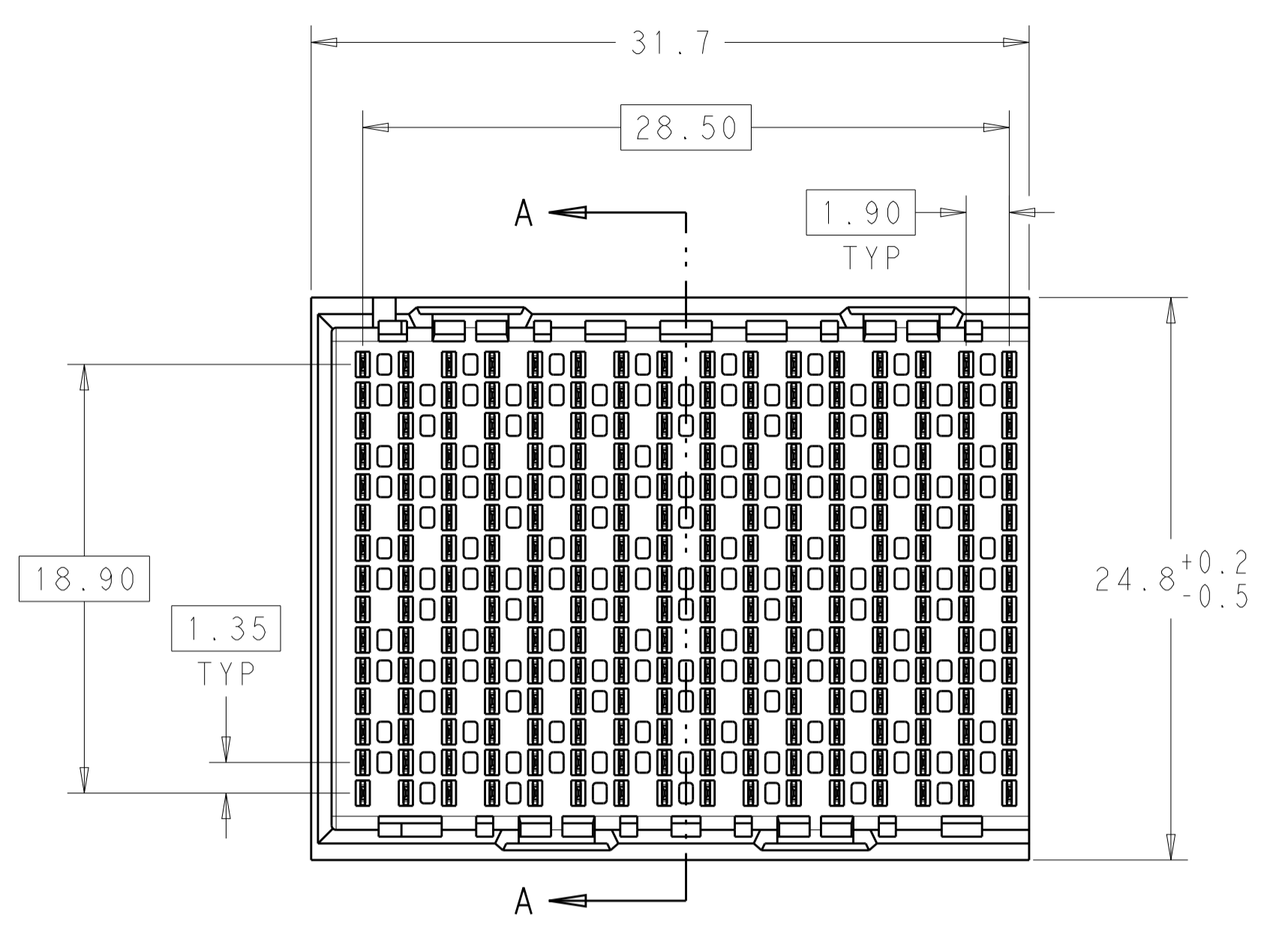
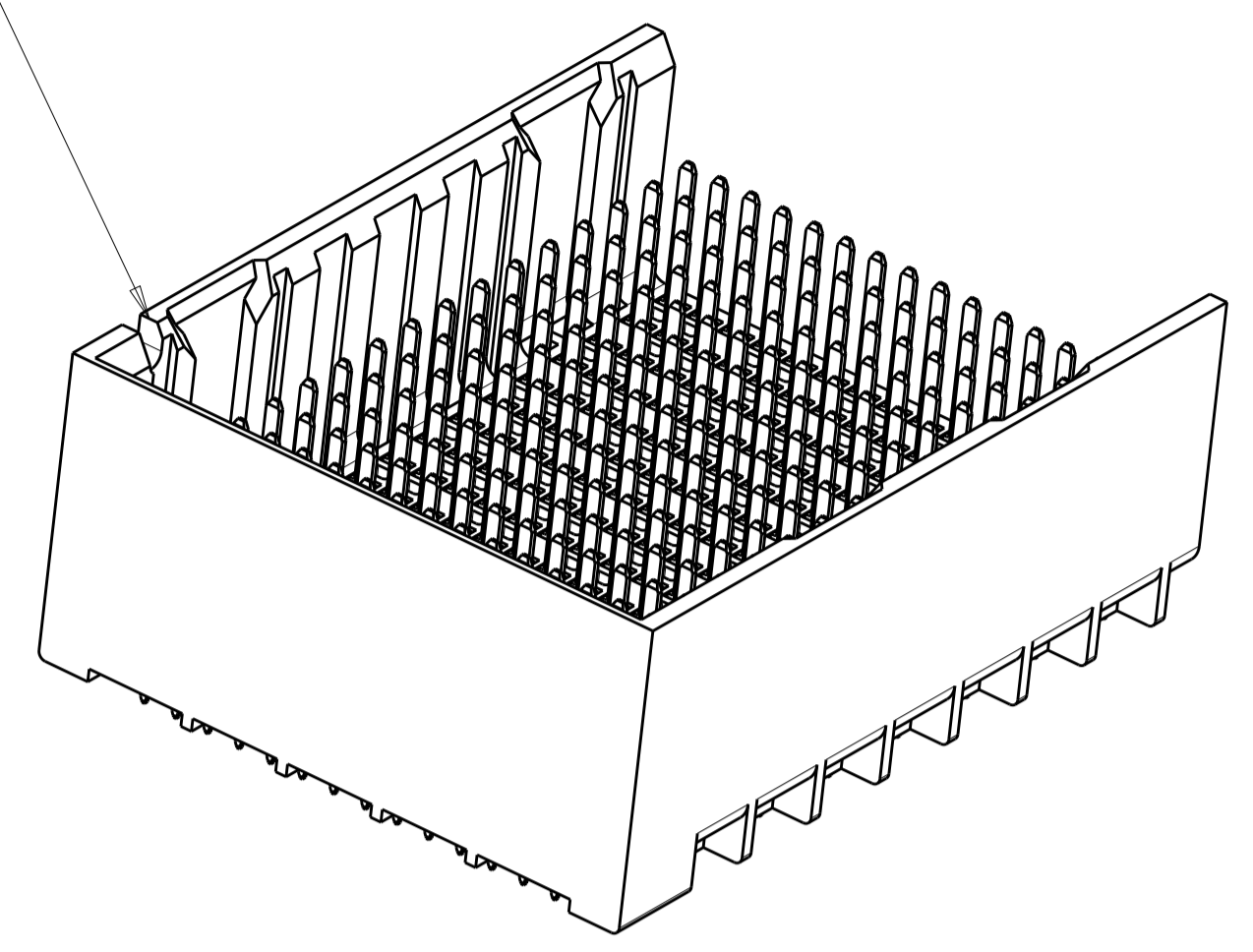


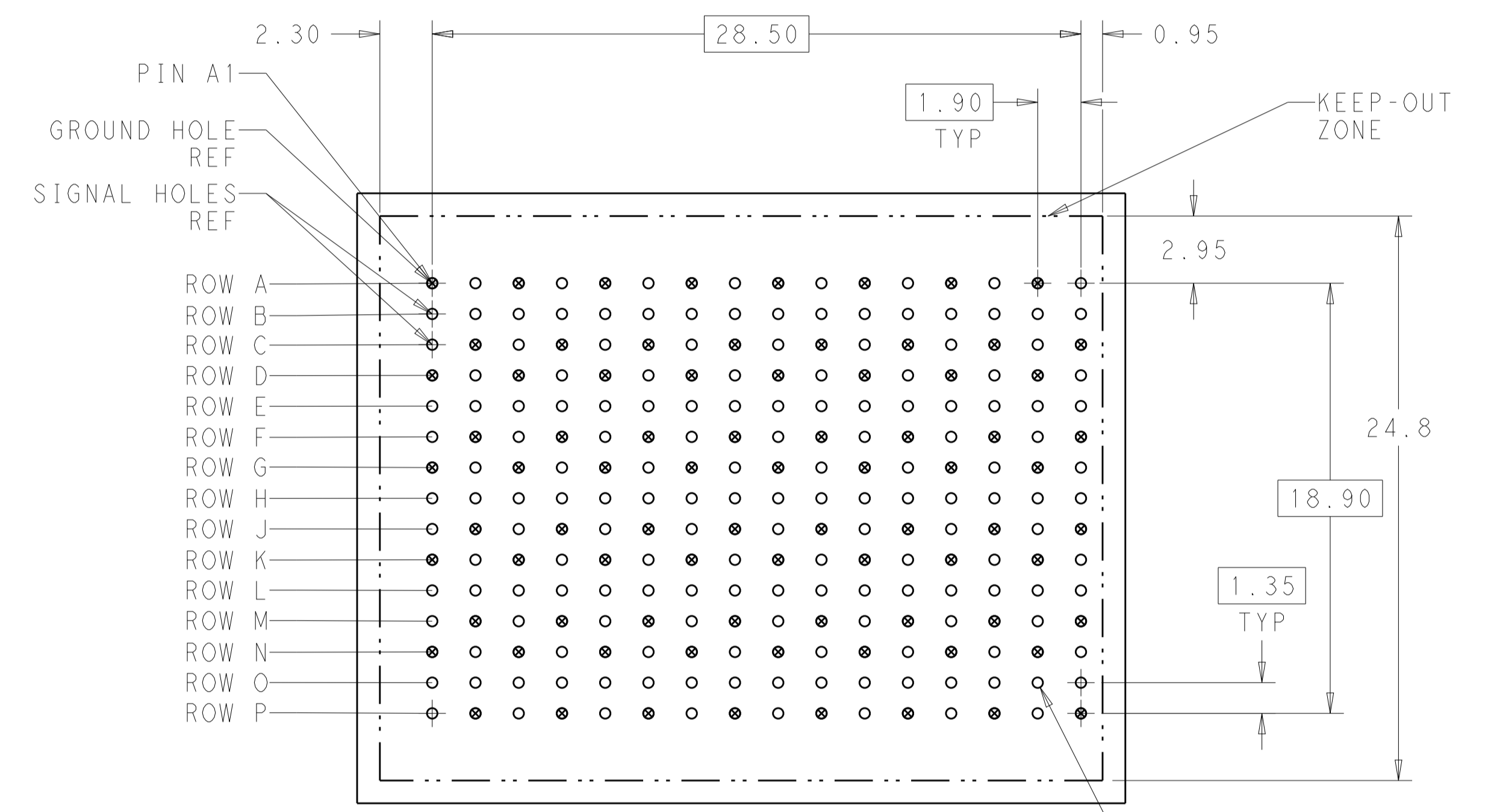
LOC		DIST		REVISIONS			
AD	00	P	LTN	DESCRIPTION	DATE	DWN	APVD
		A		CREATED BY AUTOMATION PROGRAM	10MAY2011	RKC	JE



NOTCH DESIGNATES ROW A



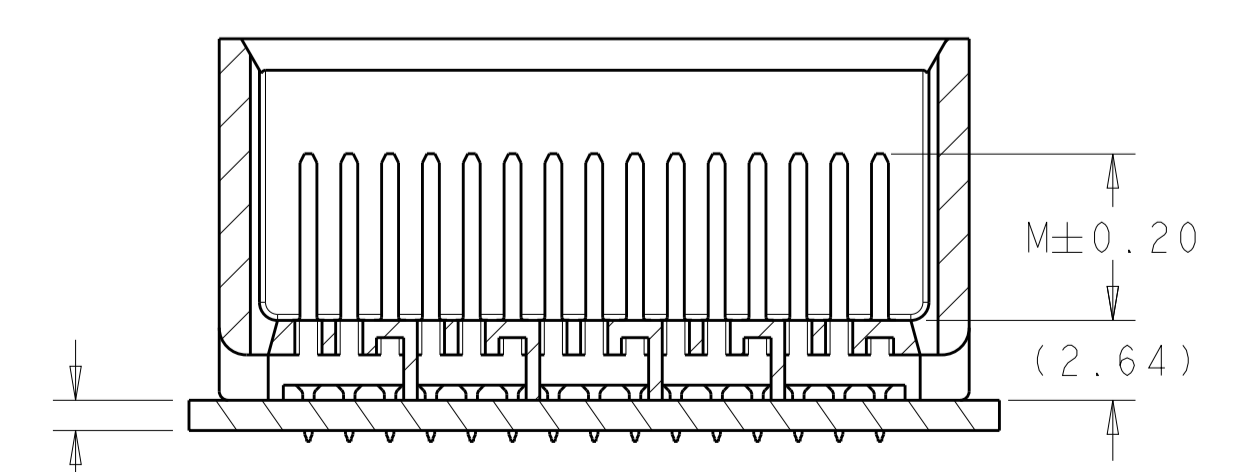
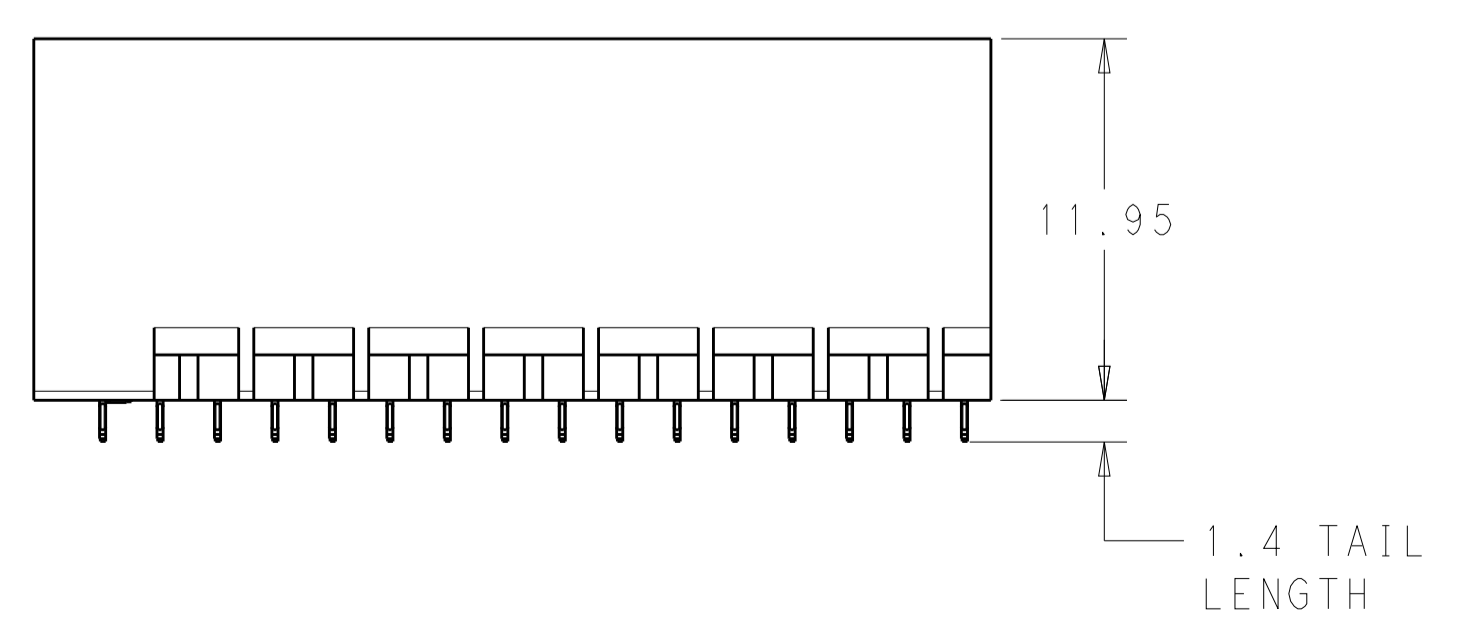
- 1 MATERIAL:
HOUSING: LCP, GLASS FILLED, UL94V-0.
TERMINALS: HIGH PERFORMANCE COPPER ALLOY.
- 2 FINISH:
30µ" MIN GOLD IN CONTACT AREA. SELECTIVE TIN ON PCB TAILS, NICKEL OVERALL.
- 3 FINISH:
30µ" MIN GOLD IN CONTACT AREA. SELECTIVE TIN-LEAD ON PCB TAILS, NICKEL OVERALL.



240X Ø0.46±0.05 PLATED THRU HOLE

240X Ø0.55±0.013 DRILL HOLE
⊕ Ø0.10

UNGUIDED BACKPLANE HOLE PATTERN (CONNECTOR SIDE)



1.00 MINIMUM BOARD THICKNESS

THIS DRAWING IS A CONTROLLED DOCUMENT.		DWN R. COELLO 09MAY2011	TE Connectivity
DIMENSIONS: mm		CHK J. EARY 09MAY2011	
TOLERANCES UNLESS OTHERWISE SPECIFIED:		APVD J. EARY 09MAY2011	NAME IMPACT, 5 PAIR, 16 COLUMN, HEADER
0 PLC ±		PRODUCT SPEC	UNGUIDED, LEFT END WALL
1 PLC ±0.25		APPLICATION SPEC	SIGNAL MODULE, 0.46 PTH
2 PLC ±0.13		SIZE CAGE CODE DRAWING NO	A100779C=2007865
3 PLC ±		RESTRICTED TO	
4 PLC ±		WEIGHT	
ANGLES ±		CUSTOMER DRAWING	
FINISH SEE TABLE		SCALE 4:1	SHEET 1 OF 2 REV A

THIS DRAWING IS UNPUBLISHED. RELEASED FOR PUBLICATION 20
 © COPYRIGHT 20 BY - ALL RIGHTS RESERVED.

LOC	DIST	REVISIONS					
		P	LTN	DESCRIPTION	DATE	DMN	APVD
AD	00	-		SEE SHEET 1	-	-	-

FINISH	DIM M	PART NUMBER
3	5.5	2007865-6
3	4.9	2007865-5
3	4.5	2007865-4
2	5.5	2007865-3
2	4.9	2007865-2
2	4.5	2007865-1

REFER TO WWW.TE.COM
FOR PRODUCT AVAILABILITY

THIS DRAWING IS A CONTROLLED DOCUMENT.		DMN R. COELLO 09MAY2011	
		CHK J. EARY 09MAY2011	
DIMENSIONS: mm		APVD J. EARY 09MAY2011	NAME IMPACT, 5 PAIR, 16 COLUMN, HEADER UNGUIDED, LEFT END WALL SIGNAL MODULE, 0.46 PTH
TOLERANCES UNLESS OTHERWISE SPECIFIED: 0 PLC ± 1 PLC ±0.25 2 PLC ±0.13 3 PLC ± 4 PLC ± ANGLES ±		PRODUCT SPEC -	SIZE A100779C=2007865
MATERIAL -		APPLICATION SPEC -	RESTRICTED TO -
FINISH SEE TABLE		WEIGHT -	CUSTOMER DRAWING
		SCALE 5:1	SHEET 2 OF 2 REV A