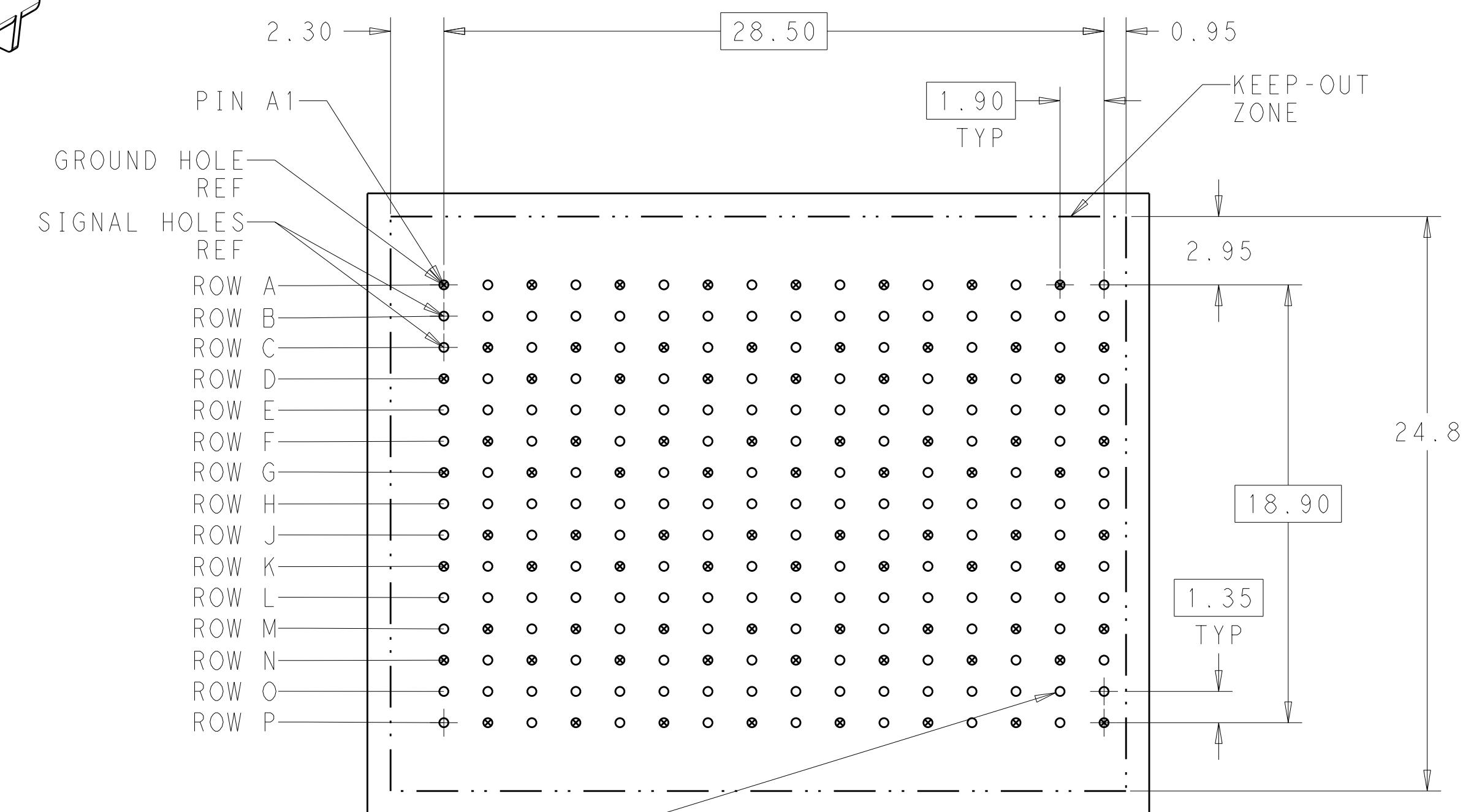
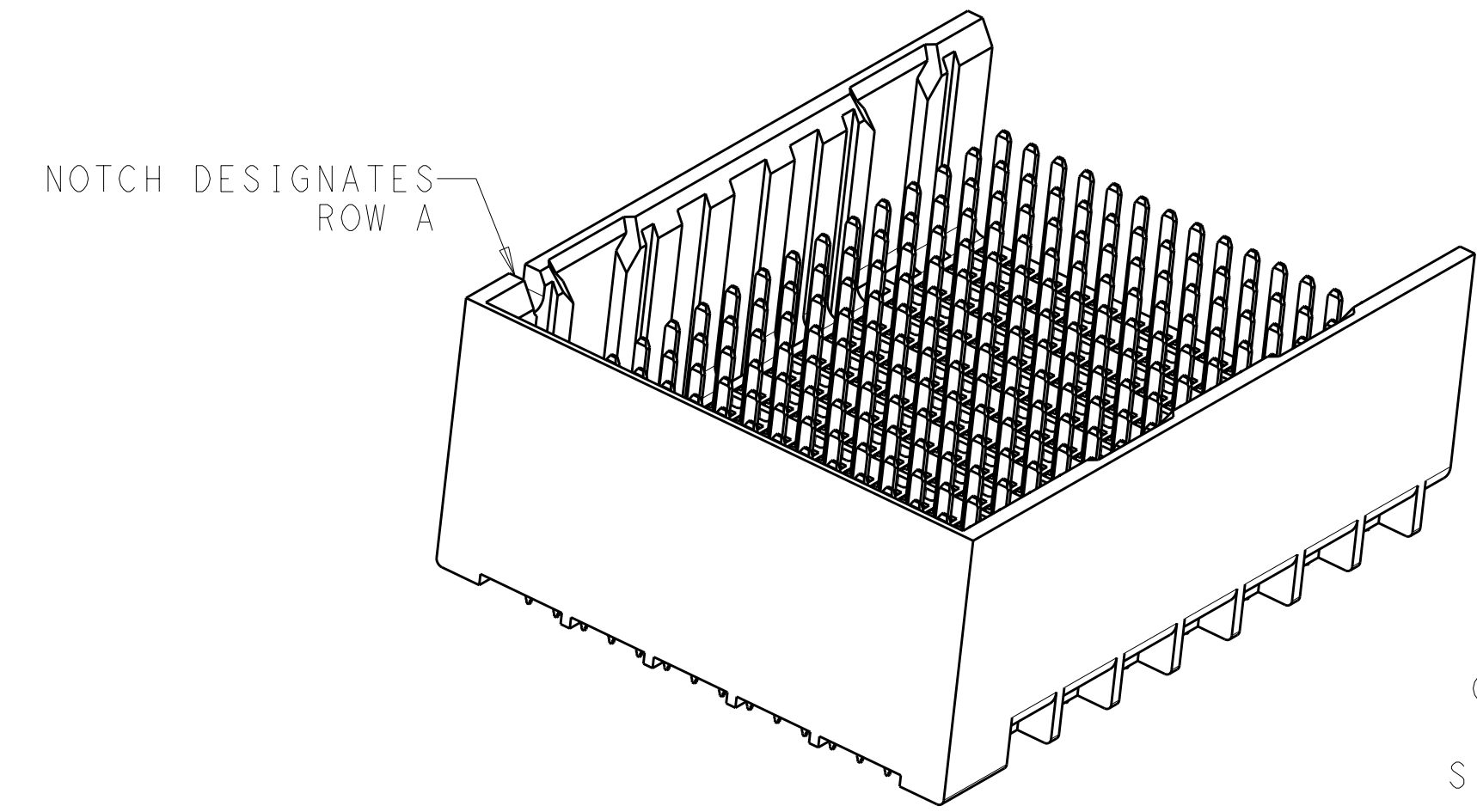
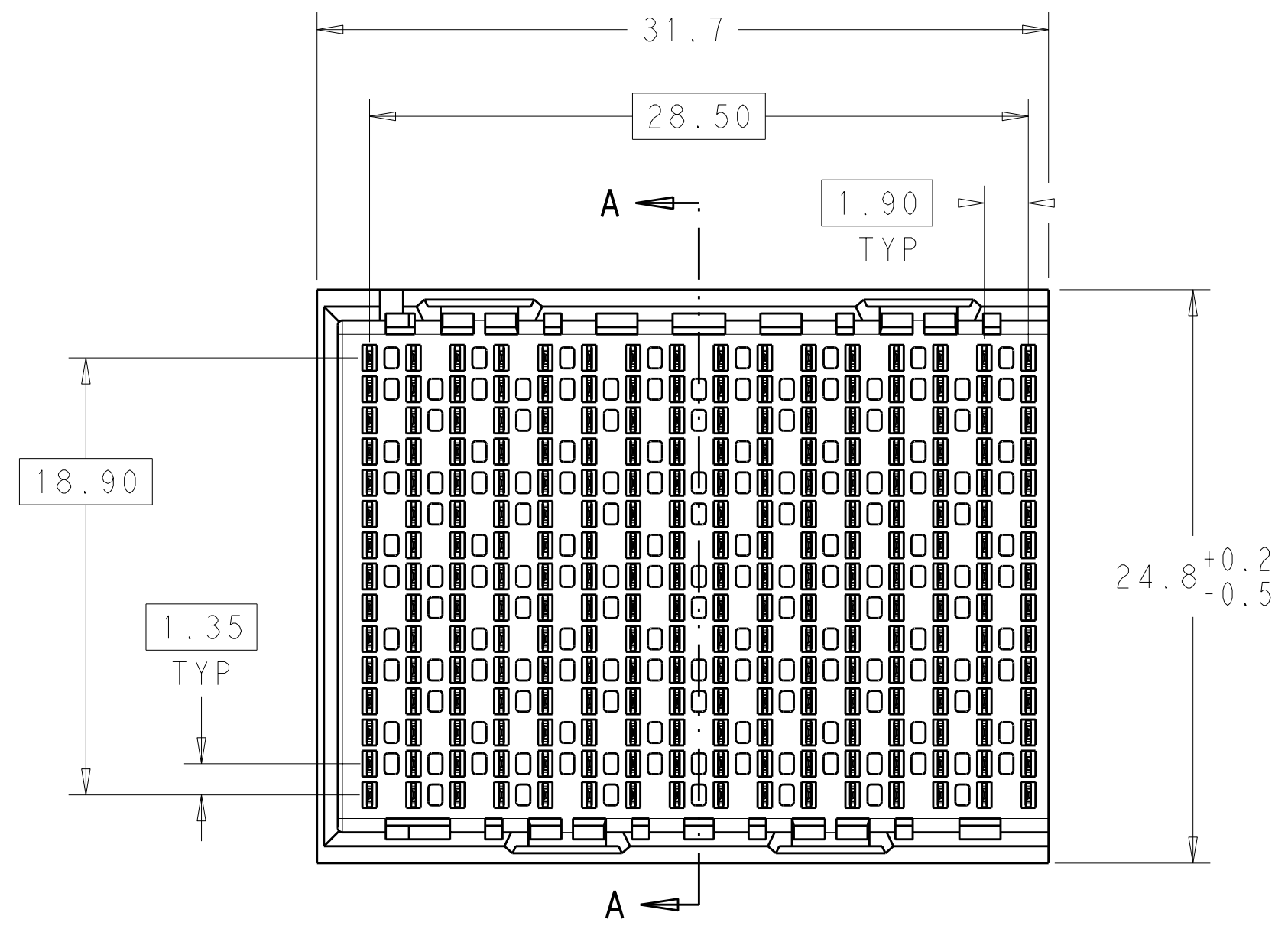


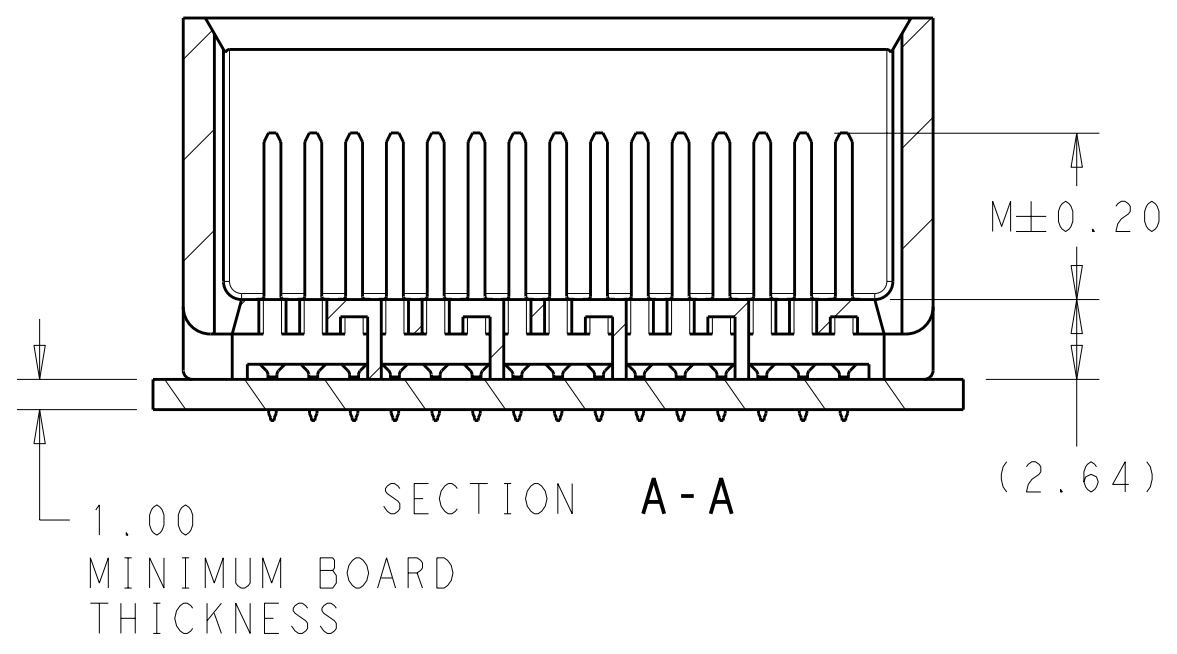
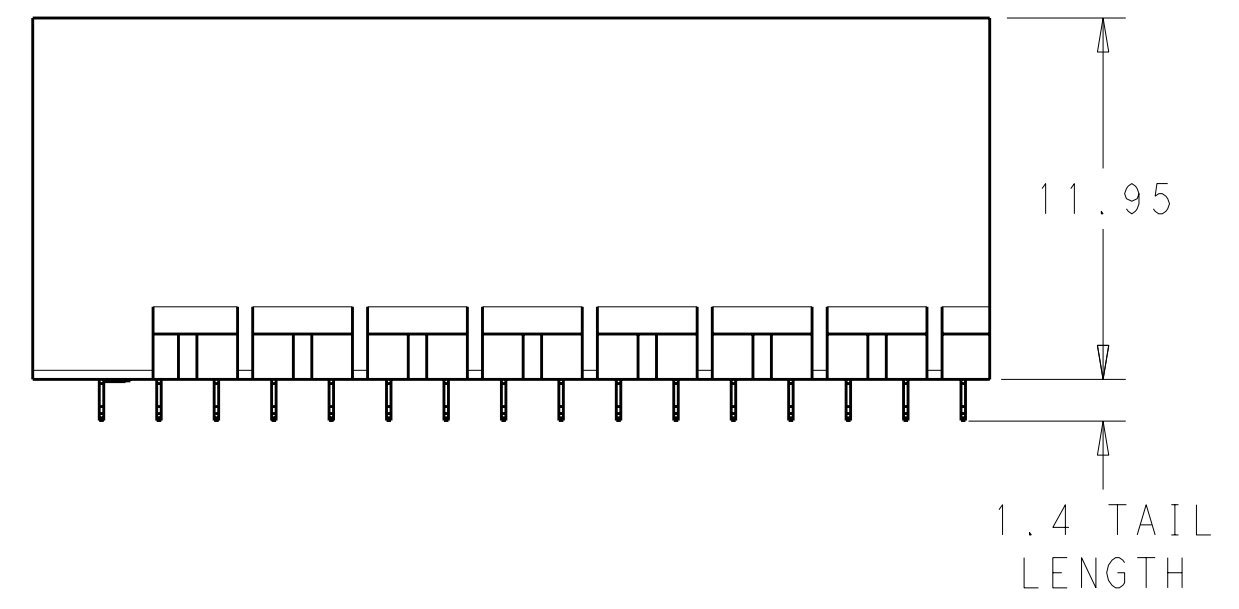
LOC	DIST	REV	DATE	BY	APPD
AD	00	B	03JAN2012	KH	DY
REVISIONS			DESCRIPTION	DATE	DWN
			REVISD PER ECO-11-025276		



240X  $\varnothing 0.39 \pm 0.05$   
 $\varnothing 0.10$   
 PLATED THRU HOLE

- 1 MATERIAL:  
HOUSING: LCP, GLASS FILLED, UL94V-0.  
TERMINALS: HIGH PERFORMANCE COPPER ALLOY.
- 2 FINISH:  
30μ" MIN GOLD IN CONTACT AREA. SELECTIVE TIN  
ON PCB TAILS, NICKEL OVERALL.
- 3 FINISH:  
30μ" MIN GOLD IN CONTACT AREA. SELECTIVE TIN-LEAD  
ON PCB TAILS, NICKEL OVERALL.

UNGUIDED  
 BACKPLANE HOLE PATTERN  
 (CONNECTOR SIDE)



THIS DRAWING IS A CONTROLLED DOCUMENT.		DWN J. K. SHOBER 02FEB2011	TE Connectivity										
DIMENSIONS: mm		CHK J. EARY 02FEB2011											
TOLERANCES UNLESS OTHERWISE SPECIFIED:		APVD J. EARY 02FEB2011	NAME IMPACT, 5 PAIR, 16 COLUMN, HEADER UNGUIDED, LEFT END WALL SIGNAL MODULE, 0.39 PTH										
<table border="1"> <tr><td>0 PLC</td><td>±</td></tr> <tr><td>1 PLC</td><td>±0.25</td></tr> <tr><td>3 PLC</td><td>±0.13</td></tr> <tr><td>4 PLC</td><td>±</td></tr> <tr><td>ANGLES</td><td>±</td></tr> </table>		0 PLC	±	1 PLC	±0.25	3 PLC	±0.13	4 PLC	±	ANGLES	±	PRODUCT SPEC	SIZE CAGE CODE DRAWING NO. RESTRICTED TO
0 PLC	±												
1 PLC	±0.25												
3 PLC	±0.13												
4 PLC	±												
ANGLES	±												
MATERIAL		APPLICATION SPEC	WEIGHT										
FINISH SEE TABLE		WEIGHT	SCALE 4:1 SHEET 1 OF 2 REV B										
CUSTOMER DRAWING		SIZE CAGE CODE DRAWING NO. RESTRICTED TO	SCALE 4:1 SHEET 1 OF 2 REV B										

THIS DRAWING IS UNPUBLISHED. RELEASED FOR PUBLICATION 20  
 © COPYRIGHT 20 . . . ALL RIGHTS RESERVED.

LOC	DIST	REVISIONS					
AD	00	P	LTB	DESCRIPTION	DATE	DWN	APVD
		-	-	SEE SHEET 1	-	-	-

FINISH	DIM M	PART NUMBER
$\triangle_3$	5.5	2007869-6
$\triangle_3$	4.9	2007869-5
$\triangle_3$	4.5	2007869-4
$\triangle_2$	5.5	2007869-3
$\triangle_2$	4.9	2007869-2
$\triangle_2$	4.5	2007869-1

REFER TO WWW.TE.COM  
FOR PRODUCT AVAILABILITY

THIS DRAWING IS A CONTROLLED DOCUMENT.		DWN J. K. SHOBER 02FEB2011	
DIMENSIONS: mm		CHK J. EARY 02FEB2011	
TOLERANCES UNLESS OTHERWISE SPECIFIED: 9 PLC ± 7 PLC ±0.25 5 PLC ±0.13 4 PLC ± ANGLES ±		APVD J. EARY 02FEB2011	NAME IMPACT, 5 PAIR, 16 COLUMN, HEADER UNGUIDED, LEFT END WALL SIGNAL MODULE, 0.39 PTH
MATERIAL -		FINISH SEE TABLE	PRODUCT SPEC -
CUSTOMER DRAWING		SCALE 5:1	APPLICATION SPEC -
A100779C=2007869		WEIGHT -	RESTRICTED TO -
SHEET 2 OF 2		REV B	