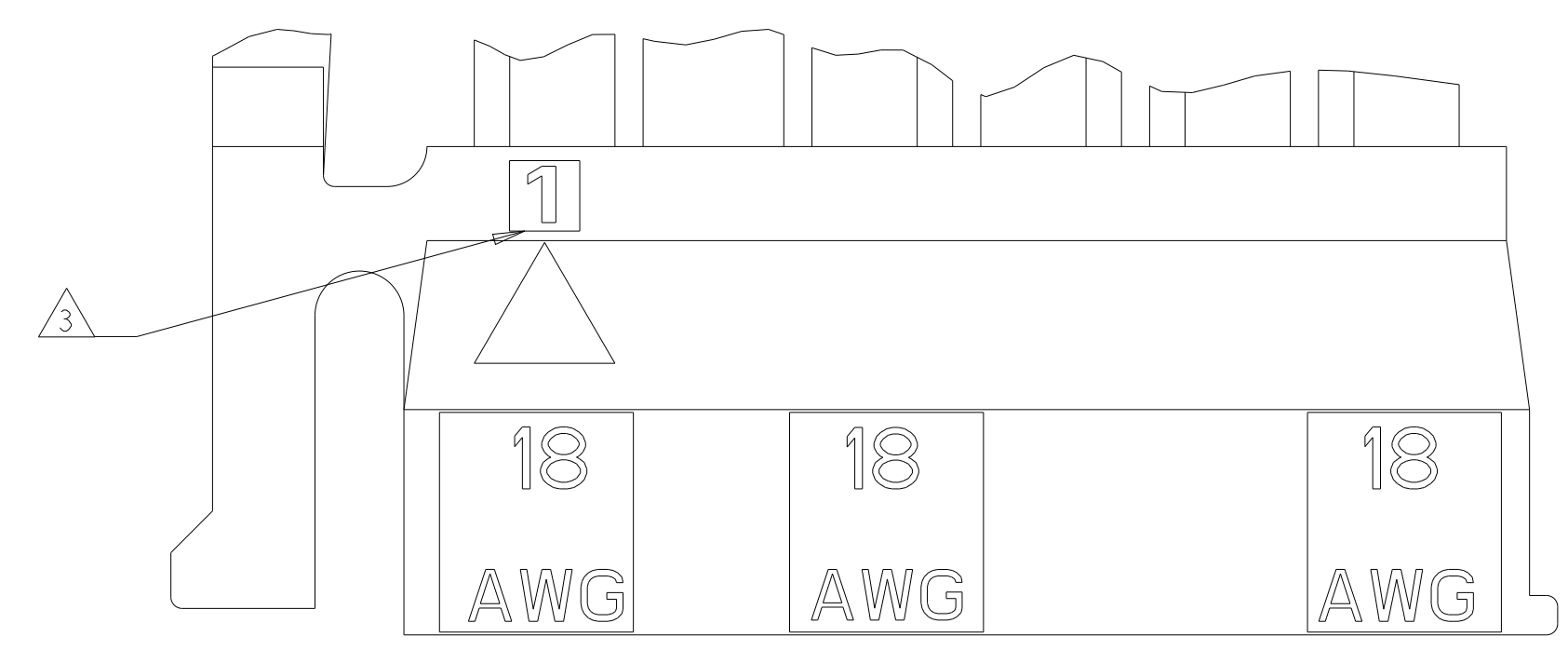
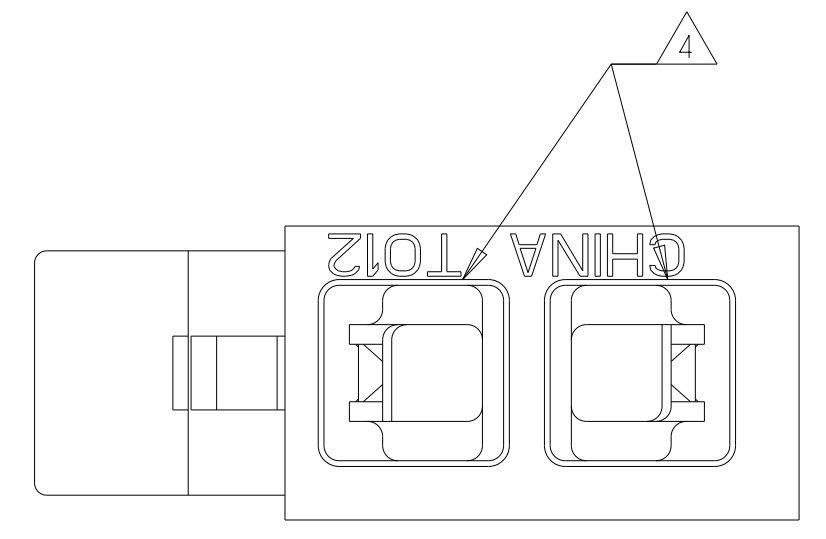


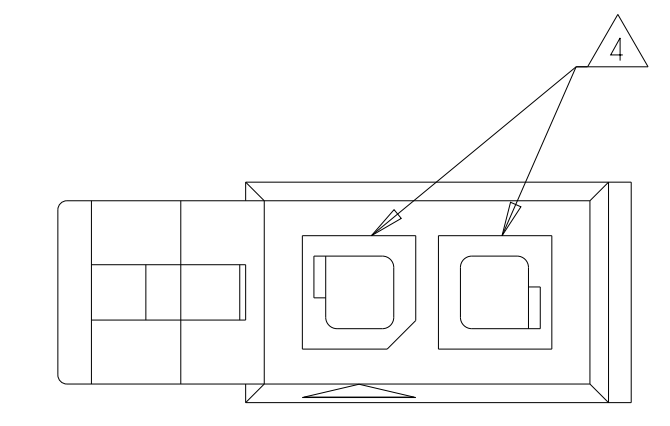
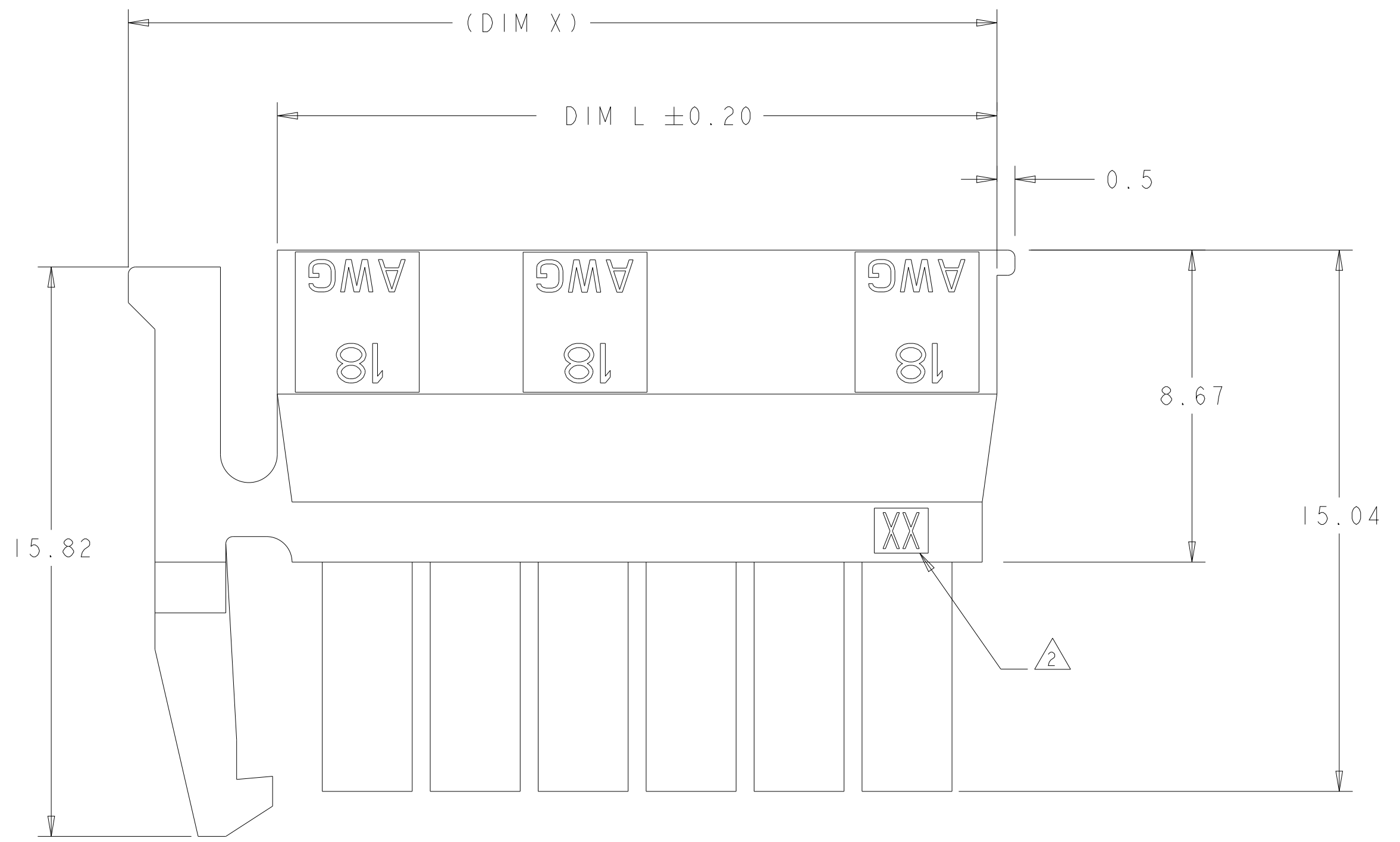
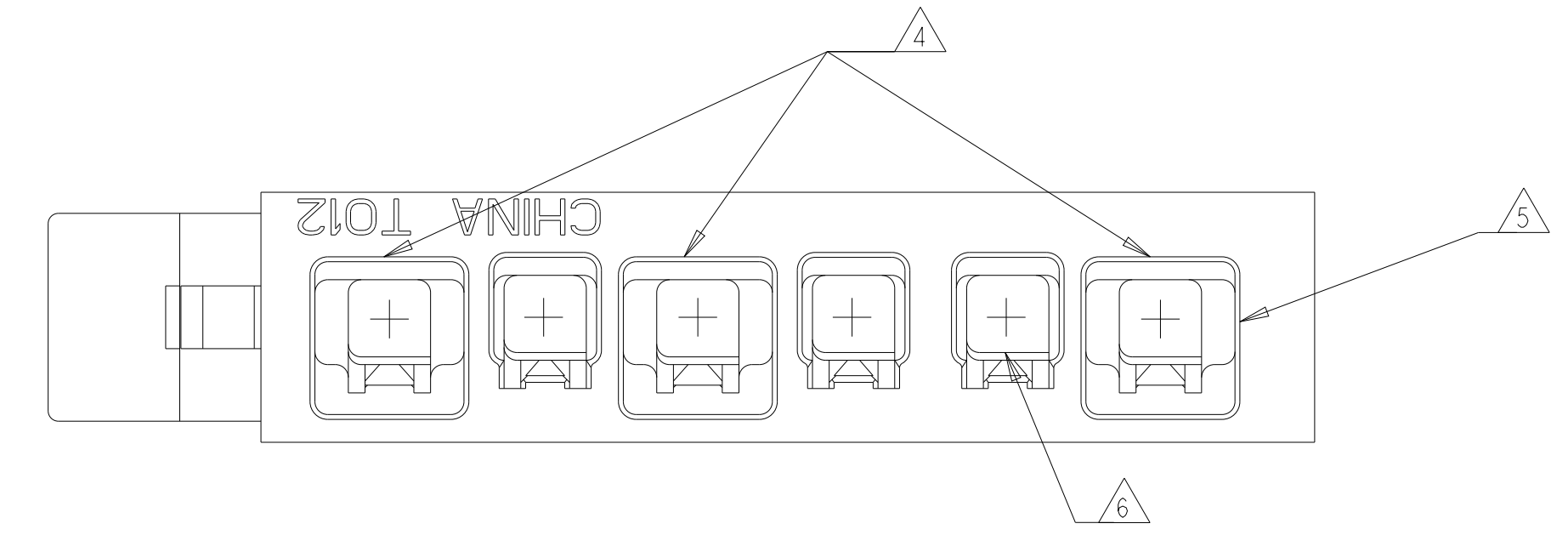
LOC		DIST		REVISIONS			
CM	0	P	LTM	DESCRIPTION	DATE	DWN	APVD
		B2		REVISED PER ECR 12-001158	19JAN12	JR	TM
		B3		ECO-19-004882	12APR19	AP	WS
		B4		REVISED PER ECN-24-270554	13JUN2024	WLS	JP



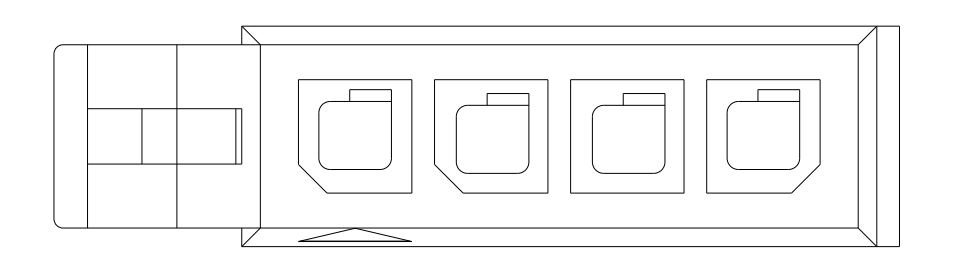
- 1 MATERIAL: NYLON,UL94V-0 COLOR- (SEE TABLE).
- 2 LAST CIRCUIT IDENTIFIER LOCATED IN APPROX AREA SHOWN.
- 3 CIRCUIT 1 ID LOCATED IN APPROX AREA SHOWN.
- 4 THE TWO END CAVITIES ARE ENLARGED TO ALLOW INSERTION OF 18 AWG RECEPTACLE CONTACT. FOR 2 CIRCUIT HOUSINGS THESE CAVITIES WILL BE ROTATED 90° FROM SHOWN POSITION AND 180° WITH RESPECT TO EACH OTHER. FOR 5 AND 6 CIRCUIT HOUSINGS CIRCUIT 3 IS ALSO ENLARGED TO ALLOW INSERTION OF 18 AWG RECEPTACLE CONTACT.
- 5 FOR WIRE INSULATION 2.80 MAX OD.
- 6 FOR WIRE INSULATION 1.90 MAX OD.



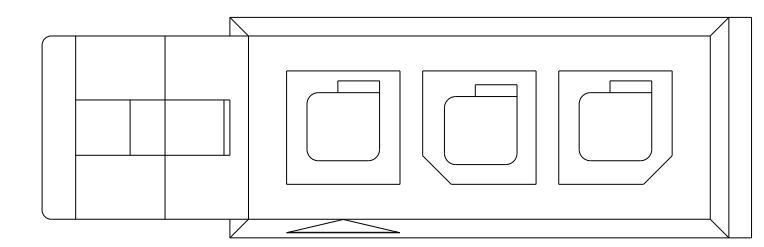
2 CIRCUIT WIRE END VIEW



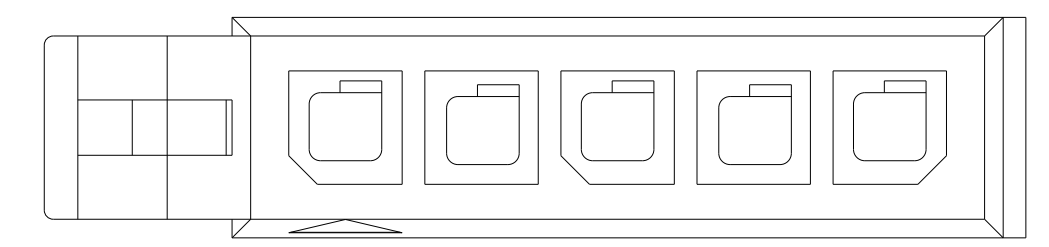
2 CIRCUIT



4 CIRCUIT

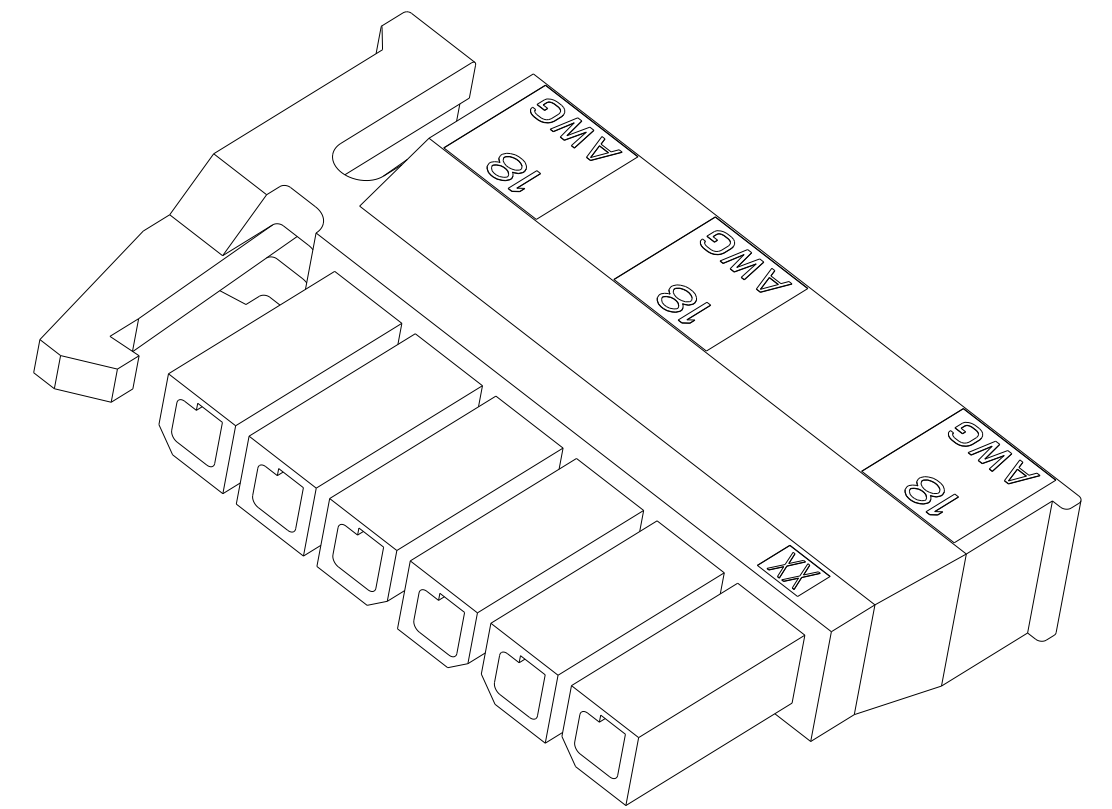
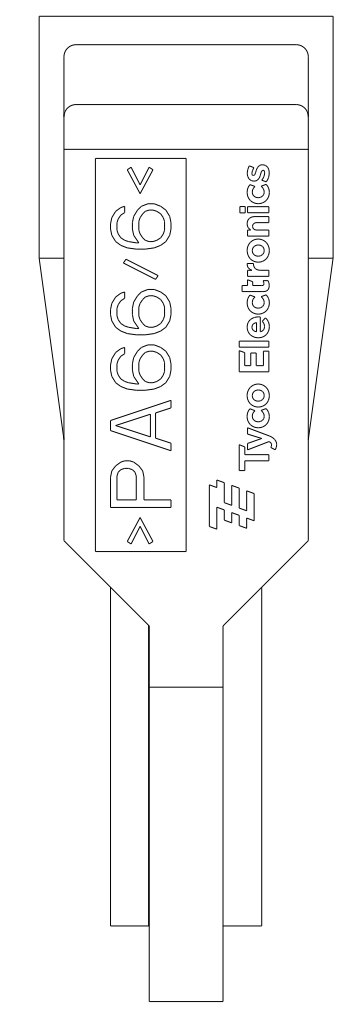


3 CIRCUIT

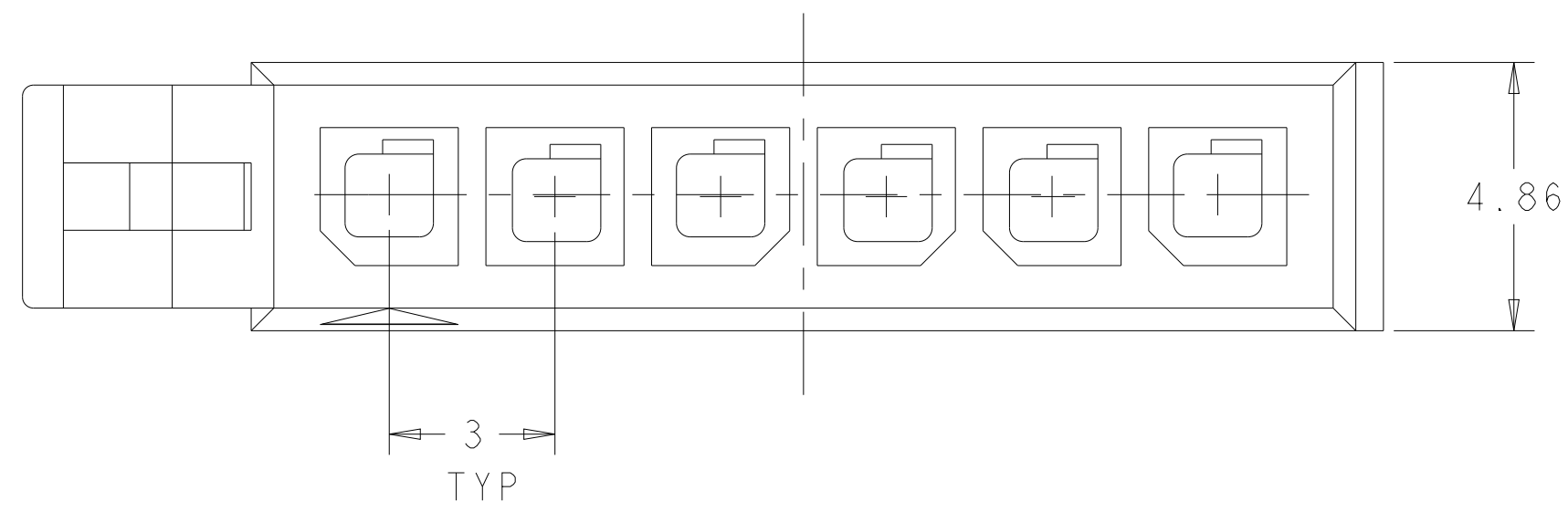


5 CIRCUIT

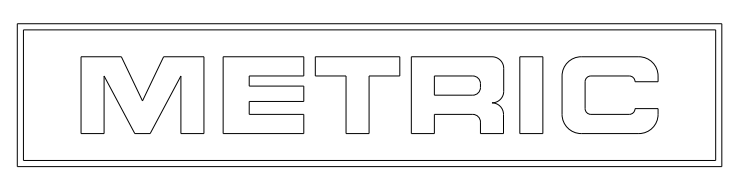
KEYING CONFIGURATIONS SCALE 6:1



SCALE 5:1



3 TYP



OBSOLETE	688.4	24.14	20.00	6	NATURAL	1-2008570-6
	596.54	21.14	17.00	5	NATURAL	1-2008570-5
	502.15	18.14	14.00	4	NATURAL	1-2008570-4
	433.37	15.14	11.00	3	NATURAL	1-2008570-3
	315.18	12.14	8.00	2	NATURAL	1-2008570-2
OBSOLETE	688.4	24.14	20.00	6	BLACK	2008570-6
	596.54	21.14	17.00	5	BLACK	2008570-5
	502.15	18.14	14.00	4	BLACK	2008570-4
	433.37	15.14	11.00	3	BLACK	2008570-3
	315.18	12.14	8.00	2	BLACK	2008570-2
	VOLUME	DIM X	DIM L	NO. OF POS.	COLOR	PART NUMBER
	mm ³					

DIMENSIONS: mm 0 PLC ±0.5 1 PLC ±0.13 3 PLC ±0.013 4 PLC ±0.25 ANGLES ±2° FINISH		TOLERANCES UNLESS OTHERWISE SPECIFIED: DIMENSIONS: mm 0 PLC ±0.5 1 PLC ±0.13 3 PLC ±0.013 4 PLC ±0.25 ANGLES ±2° FINISH		DWN R. BROWN 18MAR2008 CHK M. McCARTHY 18MAR2008 APVD M. McCARTHY 18MAR2008 PRODUCT SPEC 108-1836 APPLICATION SPEC 114-13000 WEIGHT CUSTOMER DRAWING		Tyco Electronics Harrisburg, PA 17105-3608 NAME RECEPTACLE HOUSING, 2 TO 6 POSN, SINGLE ROW, MICRO MATE-N-LOK(TM), SIDE LATCH, 18 AWG SIZE CAGE CODE DRAWING NO. RESTRICTED TO A100779C=2008570 SCALE 8:1 SHEET 1 OF 1 REV B4	
--	--	--	--	--	--	--	--