

THIS DRAWING IS UNPUBLISHED.

RELEASED FOR PUBLICATION

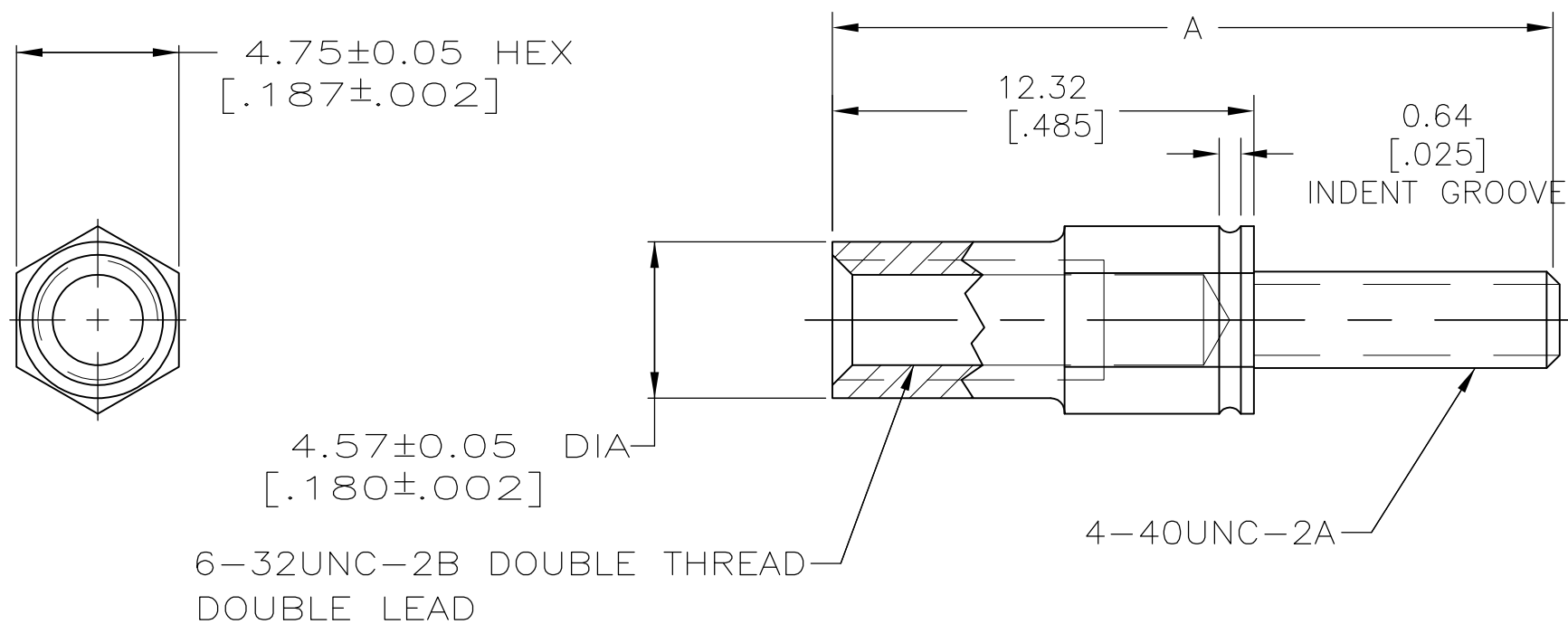
© COPYRIGHT - By -

ALL RIGHTS RESERVED.


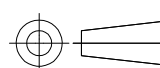
LOC
BD DIST
36

REVISIONS

P	LTR	DESCRIPTION	DATE	DWN	APVD
	J1	REVISED PER ECO-12-002698	13FEB12	KH	DR



30.48-30.86 [1.200-1.215]	1-200872-6
24.43[.962]	1-200872-5
21.13-21.51 [.832-.847]	1-200872-4
A	PART NO

THIS DRAWING IS A CONTROLLED DOCUMENT.		DWN J. McCLINTON 6-24-93	 TE Connectivity				
DIMENSIONS: mm [INCHES]		CHK R. STONE 6-28-93					
TOLERANCES UNLESS OTHERWISE SPECIFIED: 0 PLC ± - 1 PLC ± - 2 PLC ± 0.13[.005] 3 PLC ± - 4 PLC ± - ANGLES ± -		APVD T. COULSON 6-28-93	NAME JACKSCREW SOCKET, FIXED, M SERIES				
		PRODUCT SPEC -	APPLICATION SPEC -				
MATERIAL STAINLESS STEEL		FINISH BLACK OXIDE	WEIGHT -	SIZE A3	CAGE CODE 00779	DRAWING NO C-200872	RESTRICTED TO -
CUSTOMER DRAWING			SCALE 5:1	SHEET 1 OF 1	REV J1		