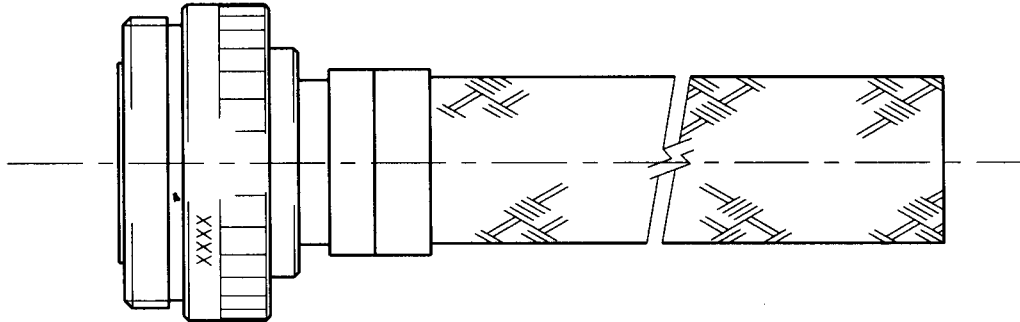


ISSUE	DESCRIPTION	DRAWN	DATE	APPR
D	CR A 0249	IRT	JAN 97	KJW



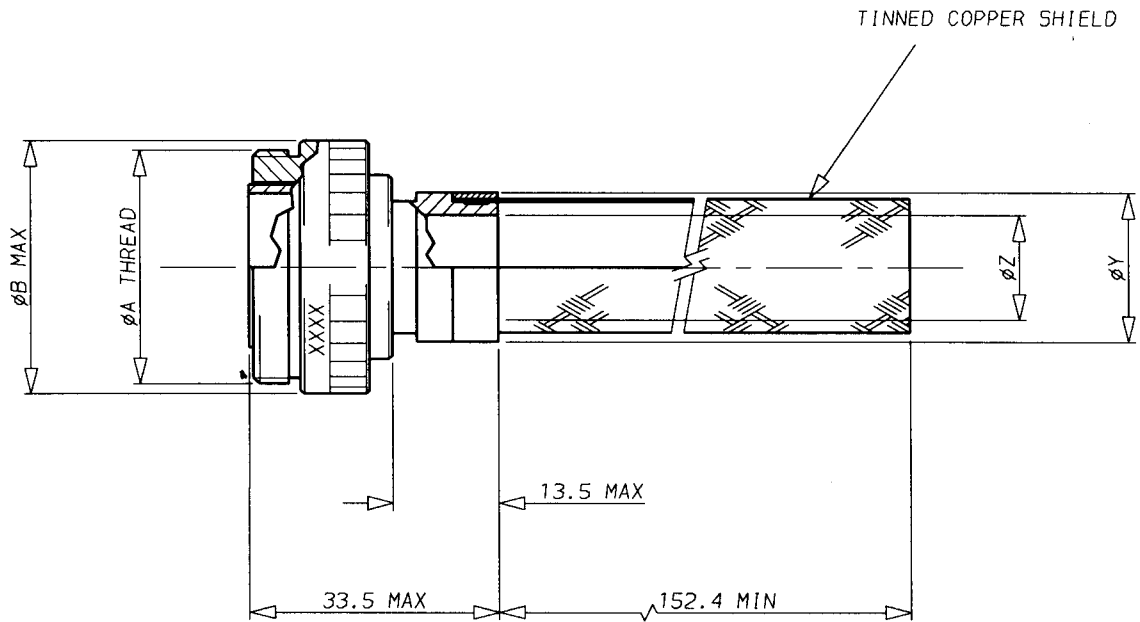
CODE 79 - SHIELDED STRAIGHT ADAPTOR

NOTES

1. THIS PRODUCT IS DESIGNED TO TERMINATE A BRAIDED CABLE SHIELD AND A HEAT SHRINKABLE LIPPED BOOT TO A CONNECTOR - SEE NOTE 4.
- ② SEE SHEET 2 FOR TABLE OF DIMENSIONS, AND SHEET 3 FOR PART NUMBERING SYSTEM AND ORDERING INFORMATION.
3. ADAPTOR TO BE PERMANENTLY MARKED WITH CODE IDENTIFICATION NUMBER AND PART NUMBER, (e.g. 06090 200Z6300-01-W12).
- ④ ADAPTOR MATES TO BS9522-F0020 (PATT 608) FIXED CONNECTOR, SINGLE HOLE MOUNTING WITH ACCESSORY THREAD.
5. FOR ALTERNATIVE MATERIALS/FINISHES - CONTACT RAYCHEM.

SPECIFICATION CONTROL DRAWING		Raychem		RAYCHEM LIMITED FARADAY ROAD DORCAN, SWINDON, SN3 5HH WILTS. ENGLAND				
DO NOT SCALE THIS DRAWING		THIS DRAWING AND THE INFORMATION SET FORTH HEREON ARE THE PROPERTY OF RAYCHEM AND ARE TO BE HELD IN TRUST AND CONFIDENCE. PUBLICATION, DUPLICATION, DISCLOSURE OR USE FOR ANY OTHER PURPOSE NOT EXPRESSLY AUTHORISED IN WRITING BY RAYCHEM IS PROHIBITED.		TITLE ADAPTOR ASSEMBLY - STRAIGHT				
DRAWN	IRT			DATE	JAN 97	CODE IDENT	DRAWING NUMBER	ISSUE
CHECKED	KJW			DATE	JAN 97	NUMBER	200Z6250 TO 6330	D
APPROVED	KJW			DATE	JAN 97	06090		
PROJECT NO	B5010					SHEET 1 OF 3		

ISSUE	DESCRIPTION	DRAWN	DATE	APPR
D	CR A 0249	IRT	JAN 97	KJW



PART NUMBER	SHELL SIZE	ENTRY SIZE	ϕA THREAD RH CLASS 2A	ϕB MAX
	(4)	MAX		
200Z6250-**-***	08	05	0.6250"-24 UNEF	18.5
200Z6260-**-***	10	07	0.7500"-20 UNEF	22.0
200Z6270-**-***	12	08	0.8750"-20 UNEF	25.0
200Z6280-**-***	14	10	1.0000"-20 UNEF	28.5
200Z6290-**-***	16	12	1.1250"-18 UNEF	31.5
200Z6300-**-***	18	14	1.2500"-18 UNEF	34.5
200Z6310-**-***	20	16	1.3750"-18 UNEF	37.5
200Z6320-**-***	22	18	1.5000"-18 UNEF	41.0
200Z6330-**-***	24	20	1.6250"-18 UNEF	44.0

ENTRY SIZE	ϕZ ± 0.50	ϕY MIN
03	4.75	9.98
04	6.35	11.58
05	7.92	13.08
06	9.52	14.76
07	11.09	16.33
08	12.70	17.91
09	14.27	19.45
10	15.87	21.11
11	17.48	22.68
12	19.05	24.21
13	20.62	25.40
14	22.23	27.46
15	23.83	29.03
16	25.40	30.61
18	28.57	35.08
20	31.75	38.25

SPECIFICATION CONTROL DRAWING

Raychem

RAYCHEM LIMITED
FARADAY ROAD
DORCAN, SWINDON, SN3 5HH
WILTS. ENGLAND

DO NOT SCALE
THIS DRAWING

THIS DRAWING AND THE INFORMATION SET FORTH HEREON ARE THE PROPERTY OF RAYCHEM AND ARE TO BE HELD IN TRUST AND CONFIDENCE. PUBLICATION, DUPLICATION, DISCLOSURE OR USE FOR ANY OTHER PURPOSE NOT EXPRESSLY AUTHORISED IN WRITING BY RAYCHEM IS PROHIBITED.

TITLE

ADAPTOR ASSEMBLY - STRAIGHT

DRAWN	IRT	DATE	JAN 97
CHECKED	KJW	JAN 97	
APPROVED	KJW	JAN 97	
PROJECT NO	B5010		

CODE IDENT NUMBER
06090

DRAWING NUMBER
200Z6250 TO 6330

ISSUE
D

SHEET 2 OF 3

200Z6250-6330SCD-2

ISSUE	DESCRIPTION	DRAWN	DATE	APPR
D	CR A 0249	IRT	JAN 97	KJW

PART NUMBERING SYSTEM

200Z 6300-01-W 12

PRODUCT DESIGNATOR _____

SEQUENTIAL NUMBER _____

MATERIAL _____
SEE CH00-0250-008

FINISH _____
SEE 5-CH00-0157-002

ENTRY SIZE _____

SPECIFICATION CONTROL DRAWING

Raychem

RAYCHEM LIMITED
FARADAY ROAD
DORCAN, SWINDON, SN3 5HH
WILTS. ENGLAND

DO NOT SCALE
THIS DRAWING

THIS DRAWING AND THE INFORMATION SET FORTH HEREON ARE THE PROPERTY OF RAYCHEM AND ARE TO BE HELD IN TRUST AND CONFIDENCE. PUBLICATION, DUPLICATION, DISCLOSURE OR USE FOR ANY OTHER PURPOSE NOT EXPRESSLY AUTHORISED IN WRITING BY RAYCHEM IS PROHIBITED.

TITLE

ADAPTOR ASSEMBLY - STRAIGHT

DRAWN	IRT	DATE JAN 97
CHECKED	KJW	JAN 97
APPROVED	KJW	JAN 97
PROJECT NO	85010	

CODE IDENT	DRAWING NUMBER	ISSUE
NUMBER	200Z6250 TO 6330	D
06090		

SHEET 3 OF 3
200Z6250-6330SCD-3