

4

3

2

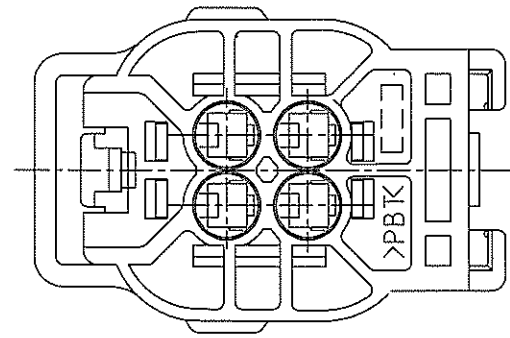
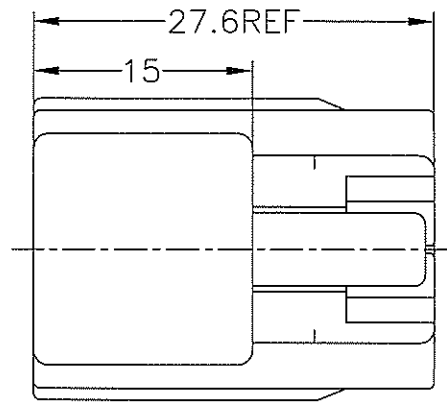
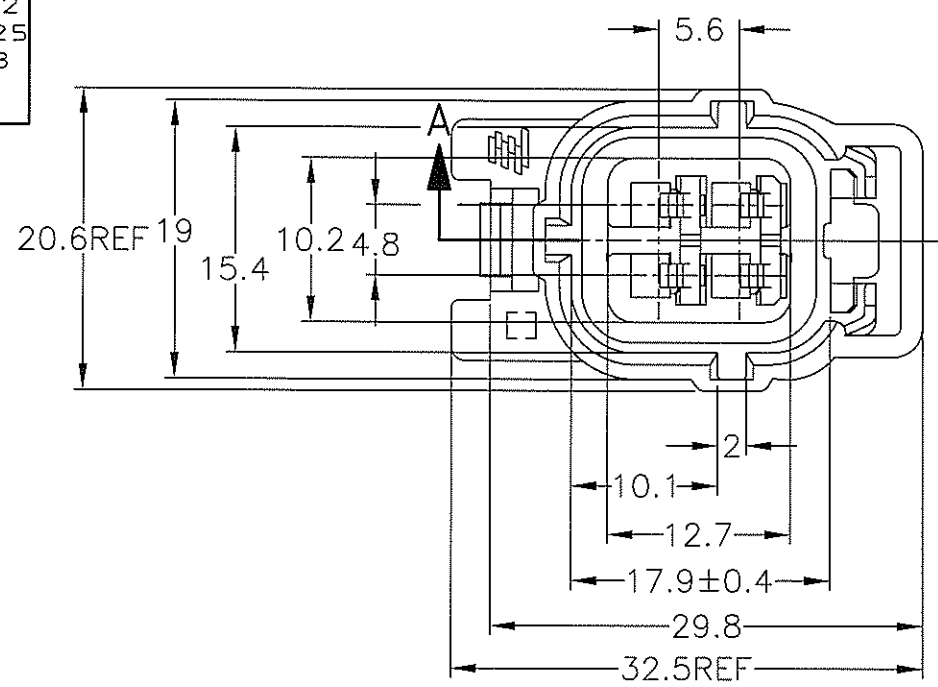
1

THIS DRAWING IS UNPUBLISHED. RELEASED FOR PUBLICATION
 © COPYRIGHT BY TYCO ELECTRONICS CORPORATION. ALL RIGHTS RESERVED.

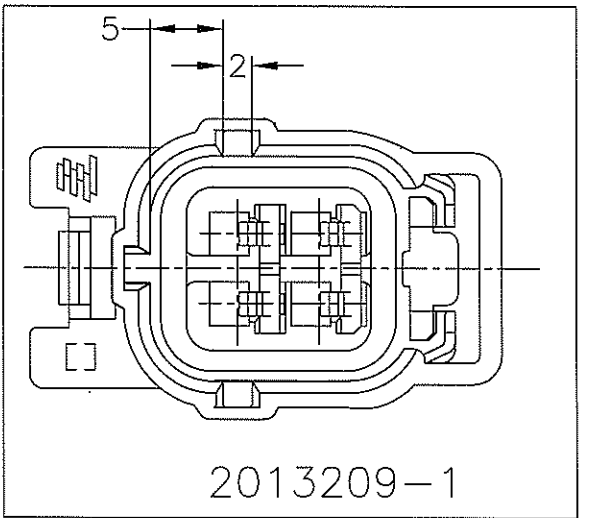
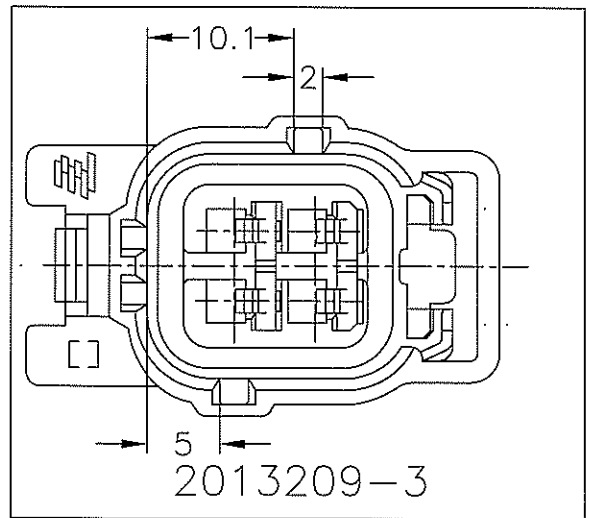
LOC J
 DIST -

REVISIONS				DATE	DWN	APVD
P	LTR	DESCRIPTION				
	A	RELEASED	07JUN07	DM	YF	
	A1	ECR-23-172187	17APR2023	RK	ST	

TOLERANCE UNLESS OTHERWISE SPECIFIED:
 一般公差
 0 < x ≤ 10 : ± 0.2
 10 < x ≤ 30 : ± 0.25
 30 < x < 100 : ± 0.3
 ANGLE : ± 3°
 角度

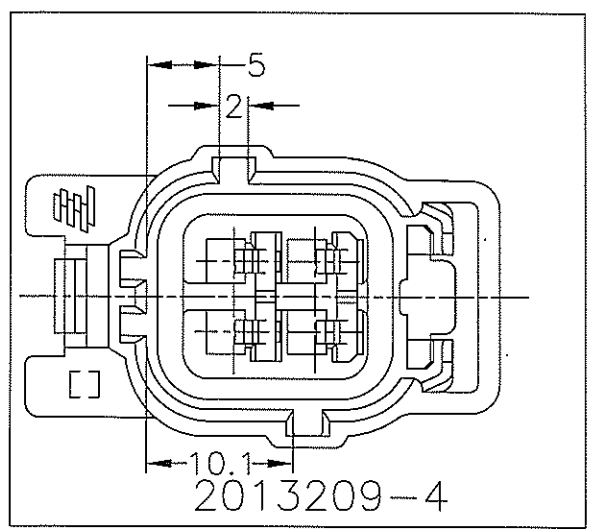


2013209-2

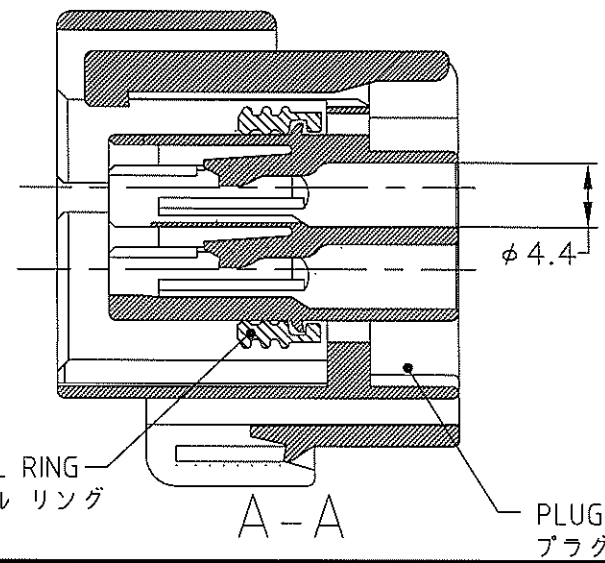
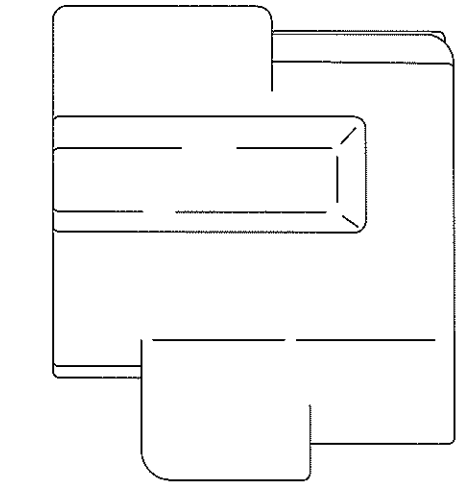


2013209-3

2013209-1



2013209-4



SEAL RING
シール リング

PLUG HOUSING
プラグハウジング

- 1. 嵌合相手型番 : 174259, 173915
- 2. 本品はプラグハウジング単体にシールリングがアッセンブリされたものである。
- 3. 本品はダブルロックプレート型番 174258を装着して使用する。

- 1. FOR CAP HOUSING PN 174259, 173915
- 2. THIS PART IS COMPOSED OF PLUG HOUSING AND SEAL RING
- 3. THIS PART MUST BE USED WITH DOUBLE LOCK PLATE PN 174258

OBSELETE	茶 BROWN	2013209-4
	濃灰 DARK GRAY	2013209-3
	黒 BLACK	2013209-2
	灰 GRAY	2013209-1
	色 COLOR	型番 PN

THIS DRAWING IS A CONTROLLED DOCUMENT.

DIMENSIONS: 単位: 特 MM	TOLERANCES UNLESS OTHERWISE SPECIFIED: 一般公差	DWN D.MATSUURA 07JUN07			
	0 PLC ± 1 PLC ± 2 PLC ± 3 PLC ± 4 PLC ± ANGLES ±	CHK T.KOHNO 07JUN07			
MATERIAL 材料 PBT	FINISH 仕上	APVD Y.FUJIIWARA 07JUN07	APPLICATION SPEC 取付適用規格 114-5082	SIZE A3	NAME 4Pos. ECONOSEAL J-MARKII+ CONNECTOR PLUG HOUSING NEW RAIL
CUSTOMER DRAWING		WEIGHT 8.5g	取付適用規格 114-5082	CAGE CODE 00779	DRAWING NO 2013209
			RESTRICTED TO	SCALE 尺度 2:1	SHEET 1 OF 2
					REV A1

4

3

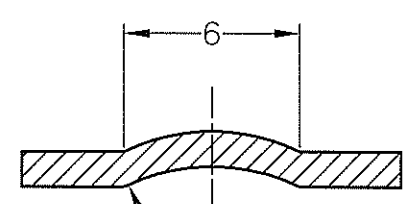
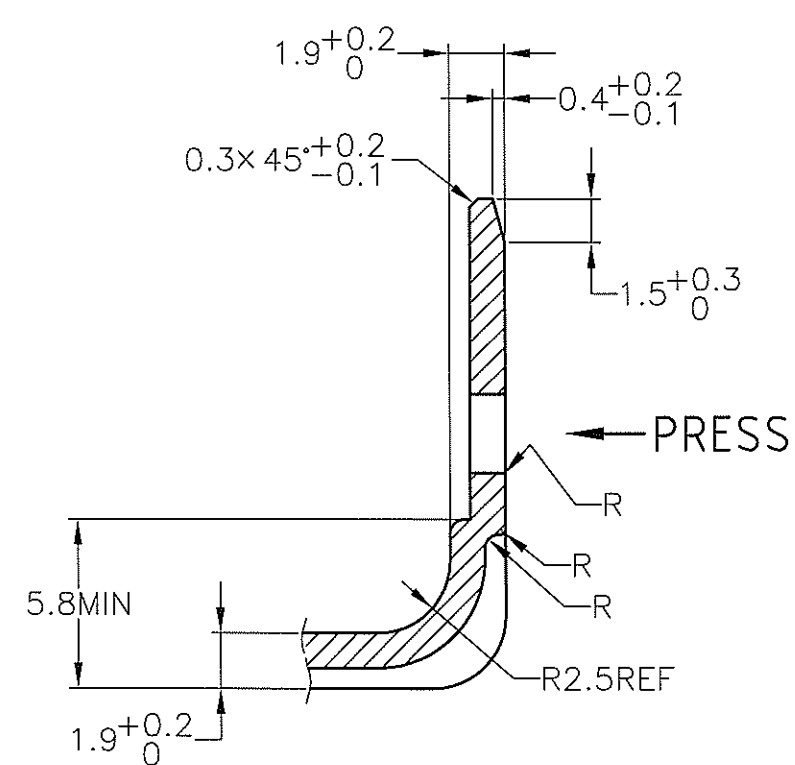
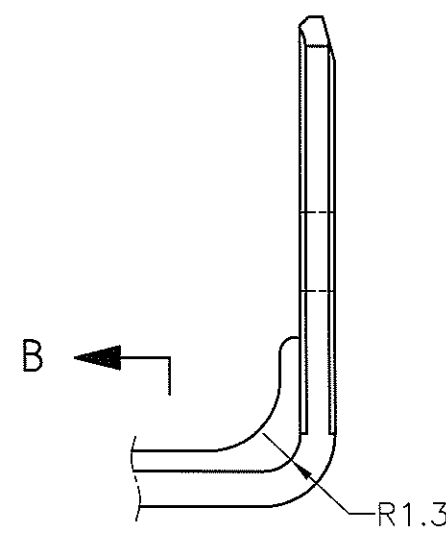
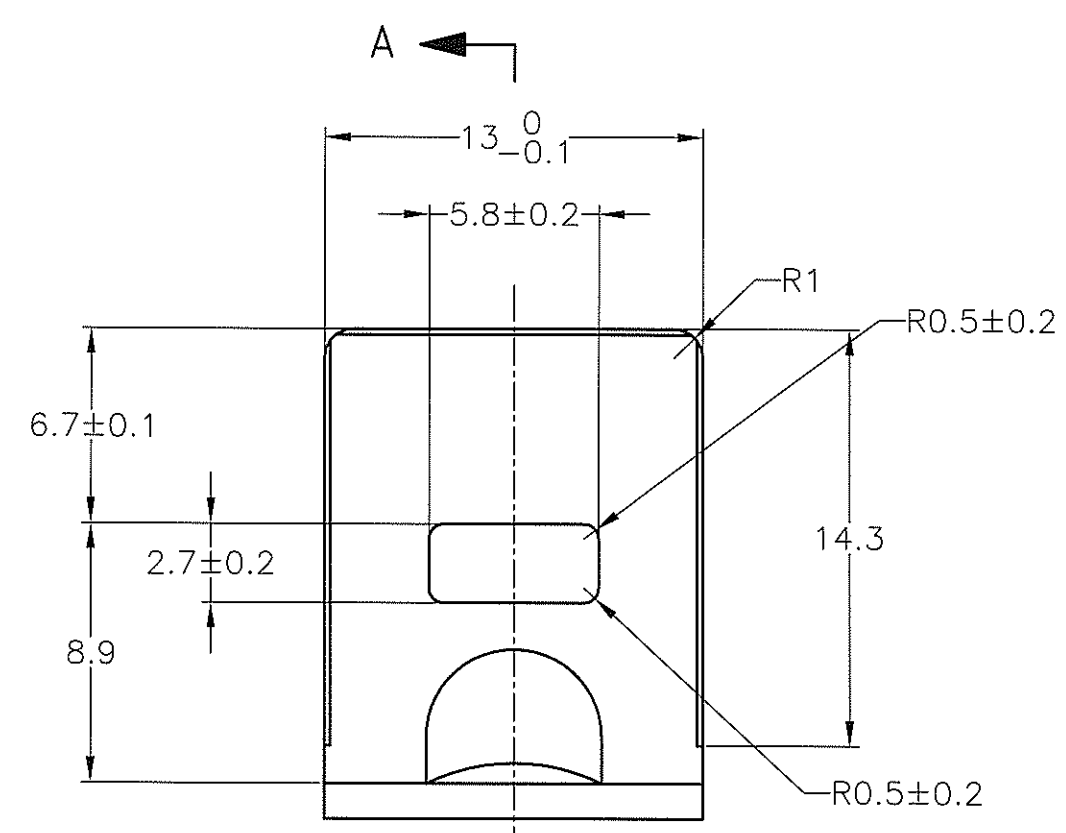
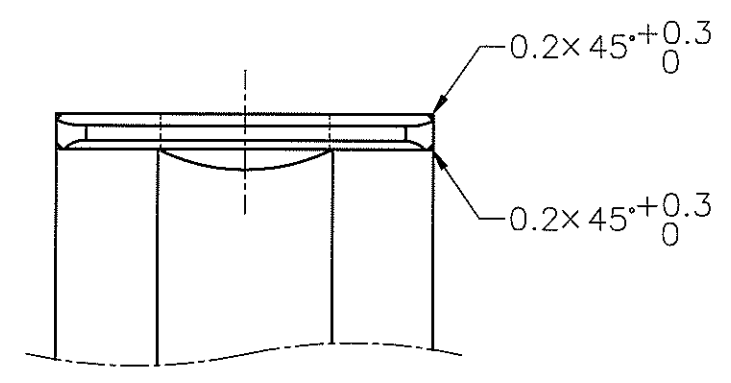
2

1

THIS DRAWING IS UNPUBLISHED. RELEASED FOR PUBLICATION
 © COPYRIGHT BY TYCO ELECTRONICS CORPORATION. ALL RIGHTS RESERVED.

LOC	DIST	REVISIONS					
J	-	P	LTR	DESCRIPTION	DATE	DWN	APVD
		-		SEE SHEET 1	-	-	-

ブラケット推奨寸法図
 RECOMMENDED DIMENSION OF BRACKET



t = 1.2 ± 0.08

TOLERANCE UNLESS OTHERWISE SPECIFIED: 一般公差

0 < x ≤ 10	±0.2
10 < x ≤ 30	±0.25
30 < x ≤ 100	±0.3
ANGLE ; 角度	±3°

THIS DRAWING IS A CONTROLLED DOCUMENT.		DWN D.MATSUURA	07JUN07		
DIMENSIONS: 単位: 精 mm		CHK T.KOHNO	07JUN07		
TOLERANCES UNLESS OTHERWISE SPECIFIED: 一般公差		APVD Y.FUJIWARA	07JUN07	NAME 名称 4Pos. ECONOSEAL J-MARKII+ CONNECTOR PLUG HOUSING NEW RAIL	
MATERIAL 材料		PRODUCT SPEC 製品規格	APPLICATION SPEC 取付適用規格	SIZE A3	CAGE CODE 00779
FINISH 仕上		WEIGHT	CUSTOMER DRAWING	DRAWING NO 番号 G-2013209	RESTRICTED TO -
		SCALE 尺度 4:1	SHEET 2 OF 2	REV A1	