

THIS DRAWING IS UNPUBLISHED.

RELEASED FOR PUBLICATION

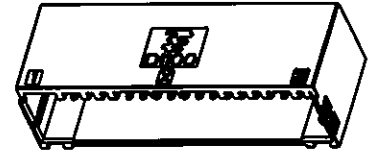
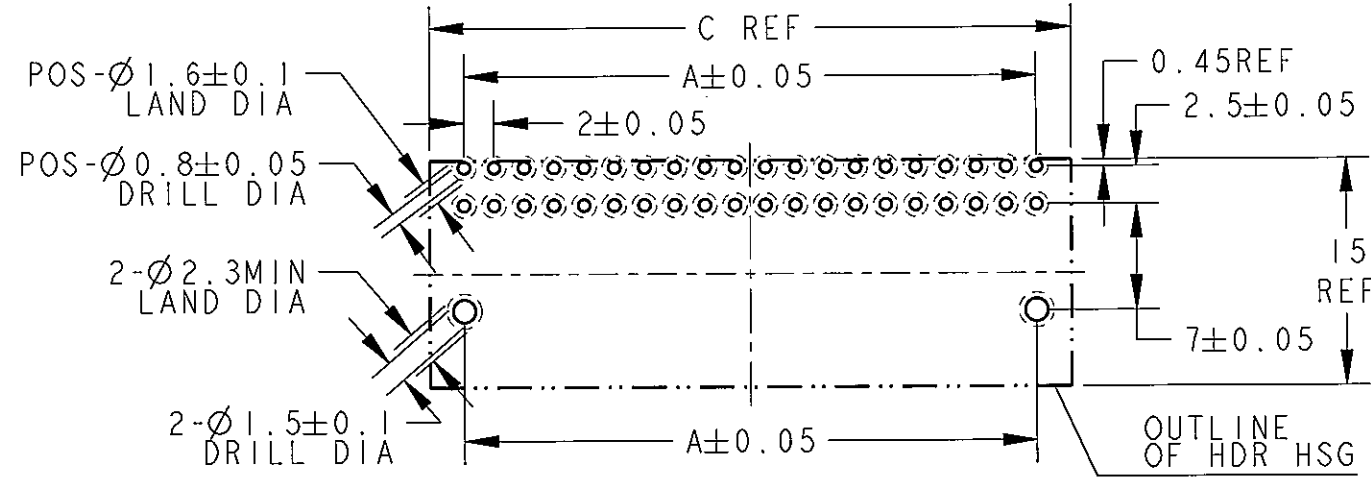
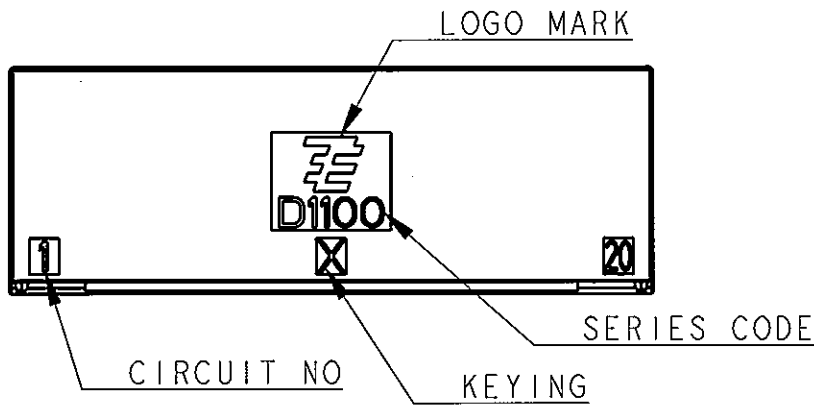
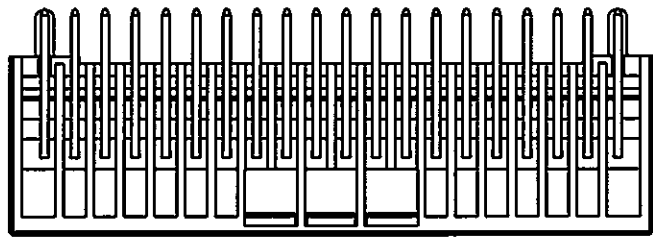
20

© COPYRIGHT 20 BY TYCO ELECTRONICS CORPORATION. ALL RIGHTS RESERVED.

LOC J DIST -

REVISIONS

P	LTR	DESCRIPTION	ECN	DATE	DWN	APVD
A		RELEASED		14NOV2007	M.M	D.M
B		REVISED		25SEP2009	Y.O	T.K



SCALE 1:1

推奨基板取付穴寸法 : コネクタ搭載面 (非累積公差)

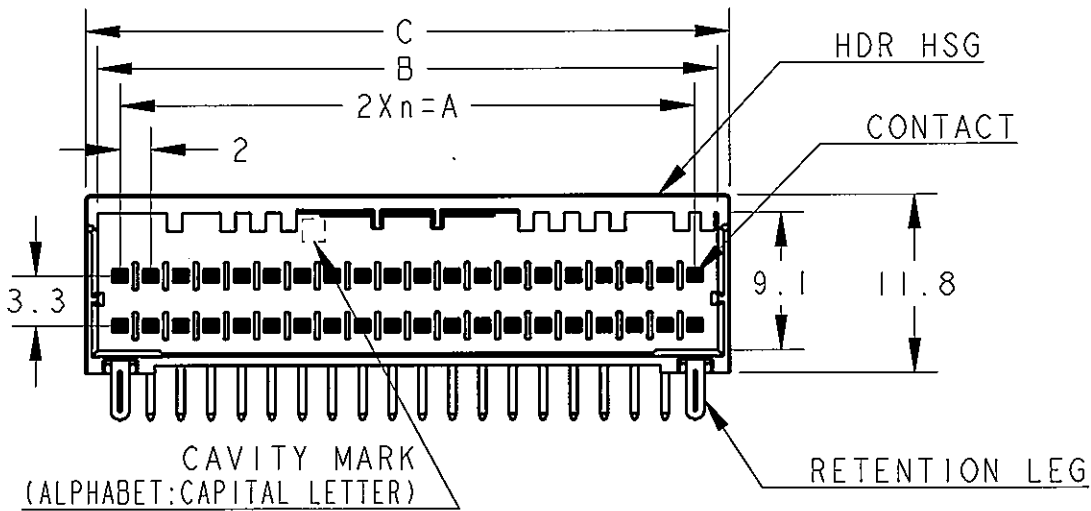
PC基板厚 : 1.0~1.6±0.1

RECOMMEND PC BOARD HOLE PATTERN

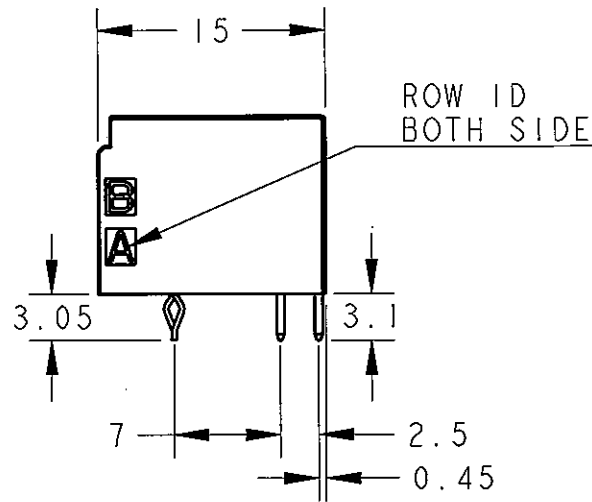
: CONNECTOR MOUNT SIDE

(NOT ACCUMULATE TOLERANCE)

PC BOARD THICKNESS : 1.0~1.6±0.1



40POS (X-KEY) : 1-2013653-0 (NATURAL)



△. 材料 : ハウジング : ガラス入り熱可塑性ポリエステル樹脂 (94V-0)、色 : 黒以外  
 コンタクト : 錫めっき銅合金  
 リテンションレグ : 錫めっき銅合金  
 2. 文字の形状、大きさ、および位置については、大略を示すものであり、  
 詳細を示すものではありません。

△. MATERIAL :  
 HOUSING: GLASS FILED THERMO PLASTIC POLYESTER (94V-0)  
 COLOR: EXCEPT BLACK  
 CONTACT: PRE-TIN COPPER ALLOY  
 RETENTION LEG: PRE-TIN COPPER ALLOY  
 2. THE SHAPE, SIZE AND POSITION OF THE CHARACTER  
 SHOW THE OUTLINE. THEY DON'T SHOW DETAILS.

POS	KEY	n	A	B	C	COLOR	PART NO
40	X	19	38.0	41.0	42.6	NATURAL	1-2013653-0
30	X	14	28.0	31.0	32.6	YELLOW	3-2013653-5

THIS DRAWING IS A CONTROLLED DOCUMENT FOR TYCO ELECTRONICS CORPORATION. IT IS SUBJECT TO CHANGE AND THE CONTROLLING ENGINEERING ORGANIZATION SHOULD BE CONTACTED FOR THE LATEST REVISION.

DIMENSIONS: 単位: 概 mm	TOLERANCES UNLESS OTHERWISE SPECIFIED: 一般公差 ±0.3, ±5° 0-PLC ± 1-PLC ±0.5 2-PLC ±0.13 3-PLC ±0.013 4-PLC ±0.0001 ANGLES ±
MATERIAL 材料	FINISH 仕上

DWN M. MAEBASHI	14NOV2007
CHK D. MITSUGI	14NOV2007
APVD D. MITSUGI	14NOV2007
PRODUCT SPEC 製品規格	108-78298
APPLICATION SPEC 取付適用規格	114-5377
WEIGHT	

Tyco Electronics Corporation Kawasaki, Japan	
NAME DYNAMIC D1100D 2.0mm PITCH HDR ASSY (H-TYPE) COLOR TIN-PL 22-40POS	
SIZE A3	CAGE CODE 300779
DRAWING NO C=2013653	RESTRICTED TO -
CUSTOMER DRAWING	SCALE 2:1 SHEET 1 OF 2 REV B

THIS DRAWING IS UNPUBLISHED.

RELEASED FOR PUBLICATION

20

© COPYRIGHT 20

BY TYCO ELECTRONICS CORPORATION. ALL RIGHTS RESERVED.

LOC

DIST

REVISIONS

P

LTR

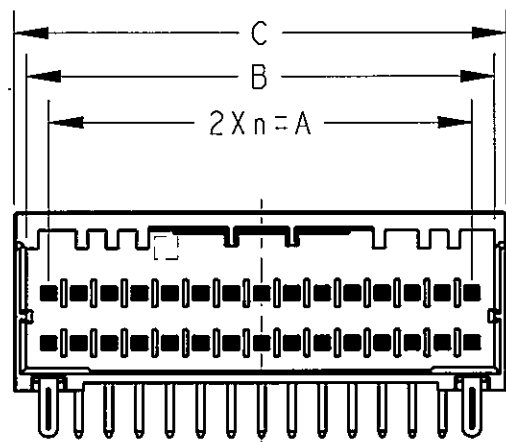
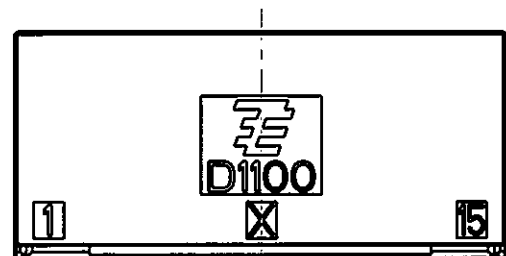
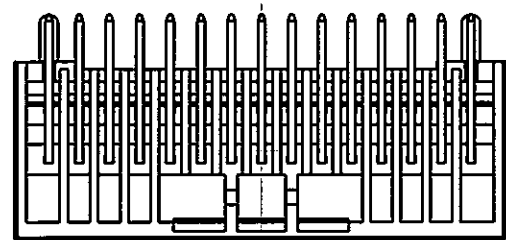
DESCRIPTION

DATE

DWN

APVD

SEE SHEET 1 OF 2



30POS(X-KEY):3-2013653-5(YELLOW)

<small>THIS DRAWING IS A CONTROLLED DOCUMENT FOR TYCO ELECTRONICS CORPORATION. IT IS SUBJECT TO CHANGE AND THE CONTROLLING ENGINEERING ORGANIZATION SHOULD BE CONTACTED FOR THE LATEST REVISION.</small>		DWN M. MAEBASHI 14NOV2007	Tyco Electronics Corporation Kawasaki, Japan	
DIMENSIONS: mm		CHR D. MITSUGI 14NOV2007	NAME DYNAMIC D1100D 2.0mmPITCH HDR ASSY (H-TYPE) COLOR TIN-PL 22-40POS	
TOLERANCES UNLESS OTHERWISE SPECIFIED: 0 PLC ± 1 PLC ± 2 PLC ± 3 PLC ± 4 PLC ± ANGLES ±		APVD D. MITSUGI 14NOV2007	PRODUCT SPEC 108-78298	
MATERIAL		APPLICATION SPEC 114-5377	SIZE A3	CAGE CODE 00779
FINISH		WEIGHT	DRAWING NO C-2013653	RESTRICTED TO -
CUSTOMER DRAWING			SCALE 2:1	SHEET 2 OF 2
			REV B	

SEE SHEET 1 OF 2