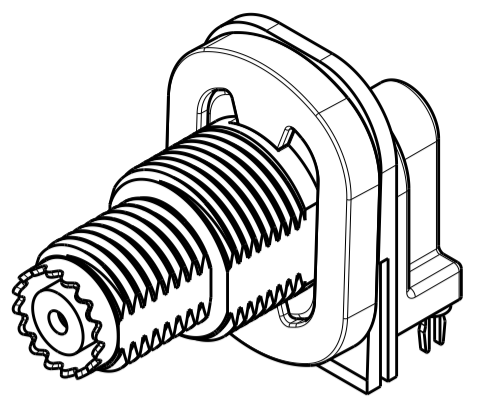
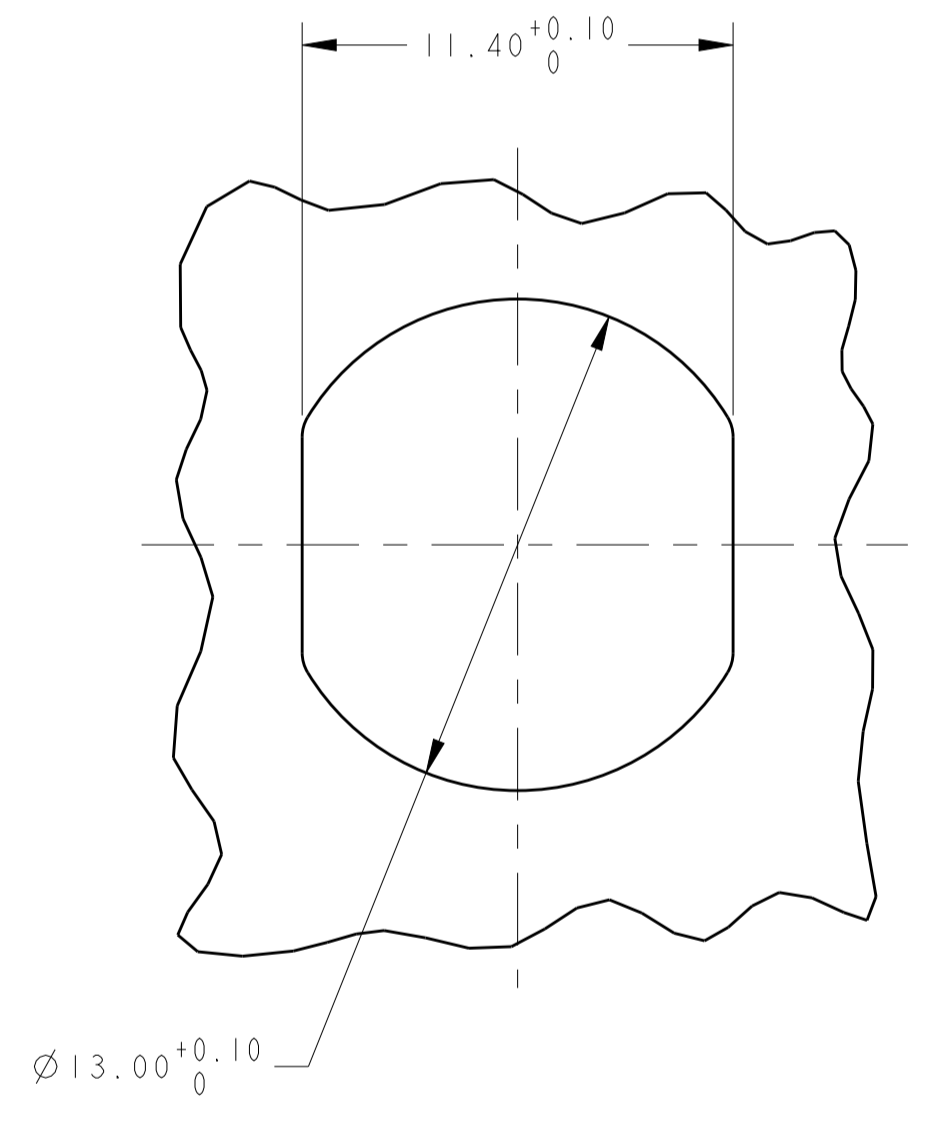
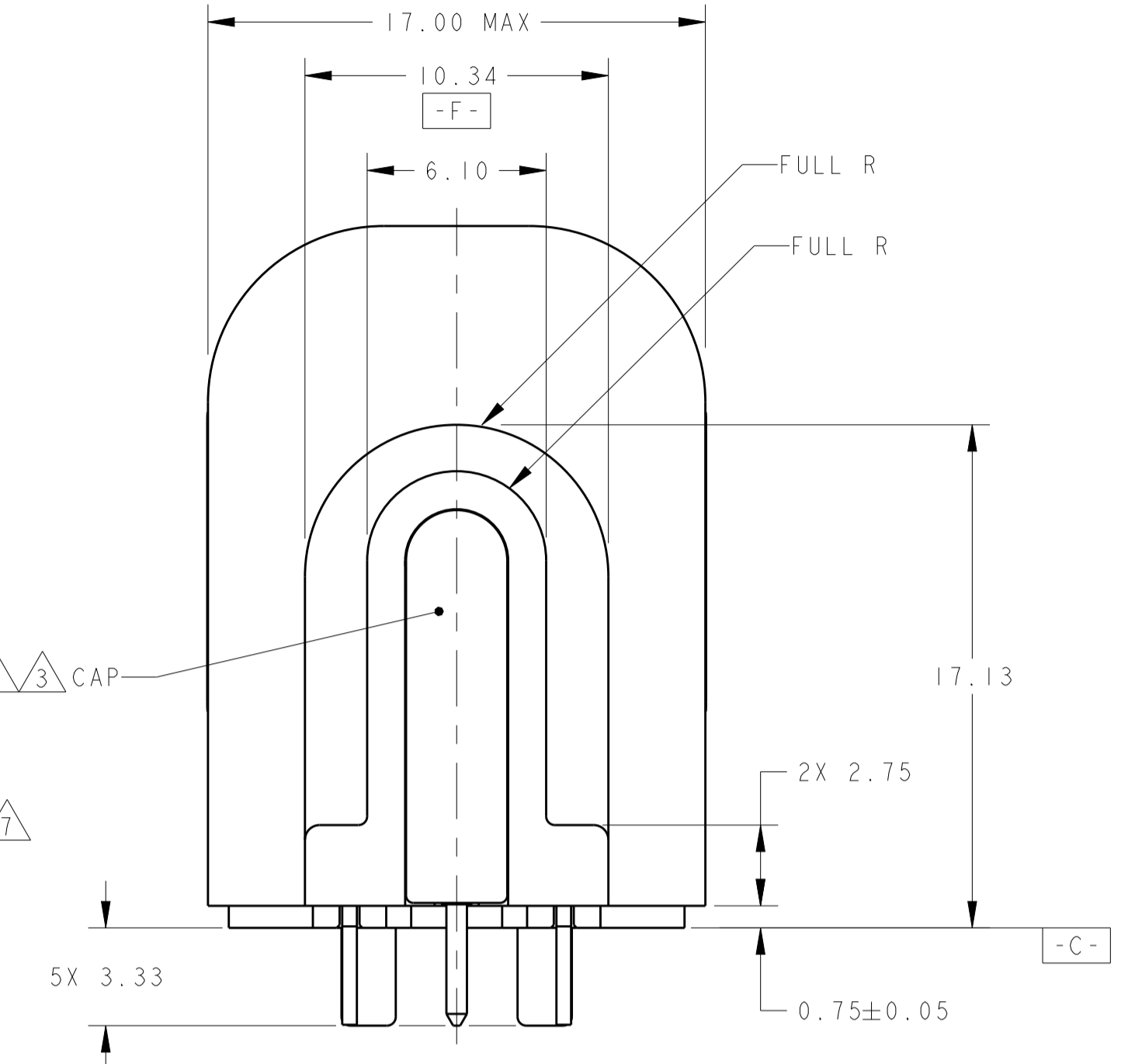
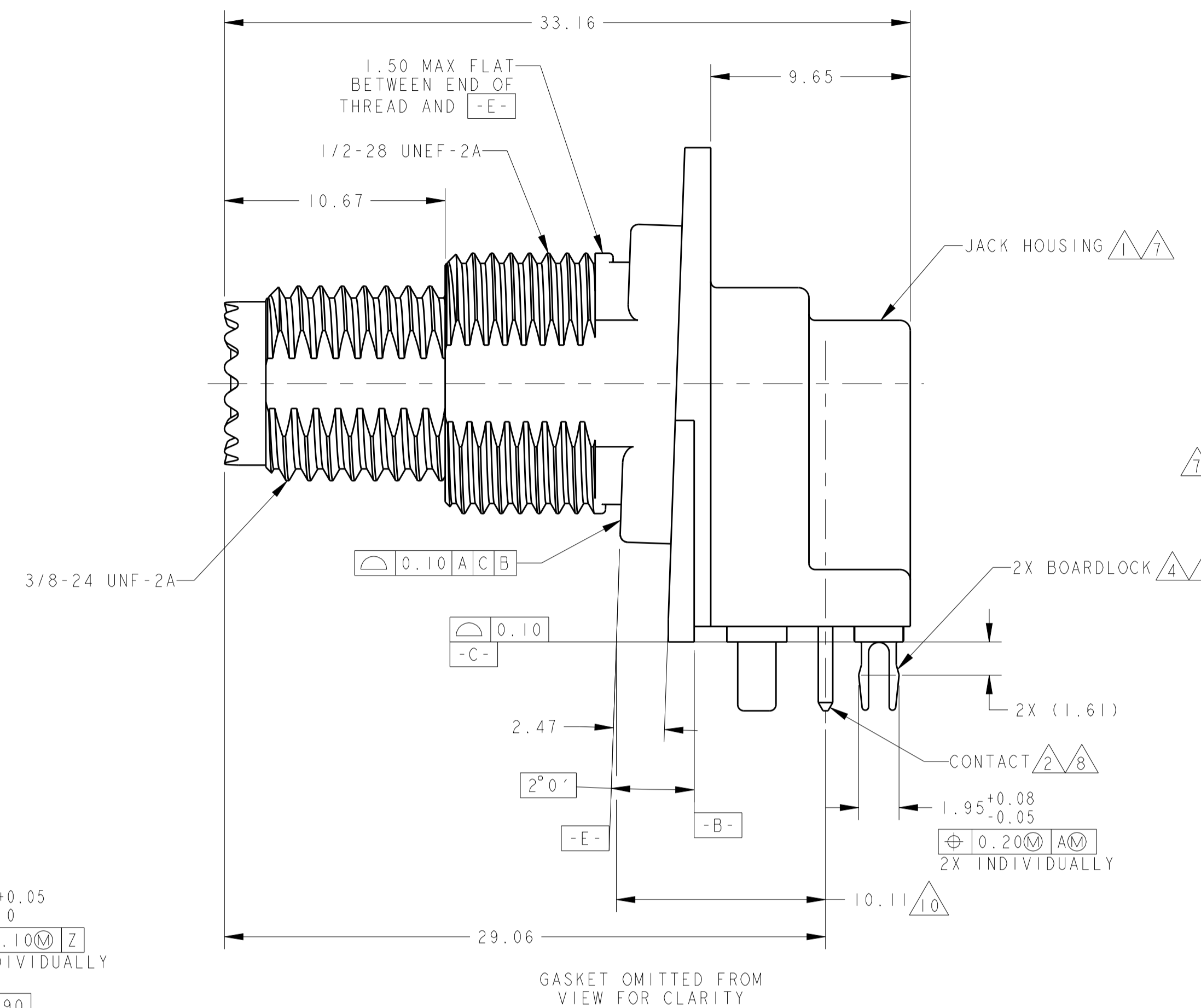
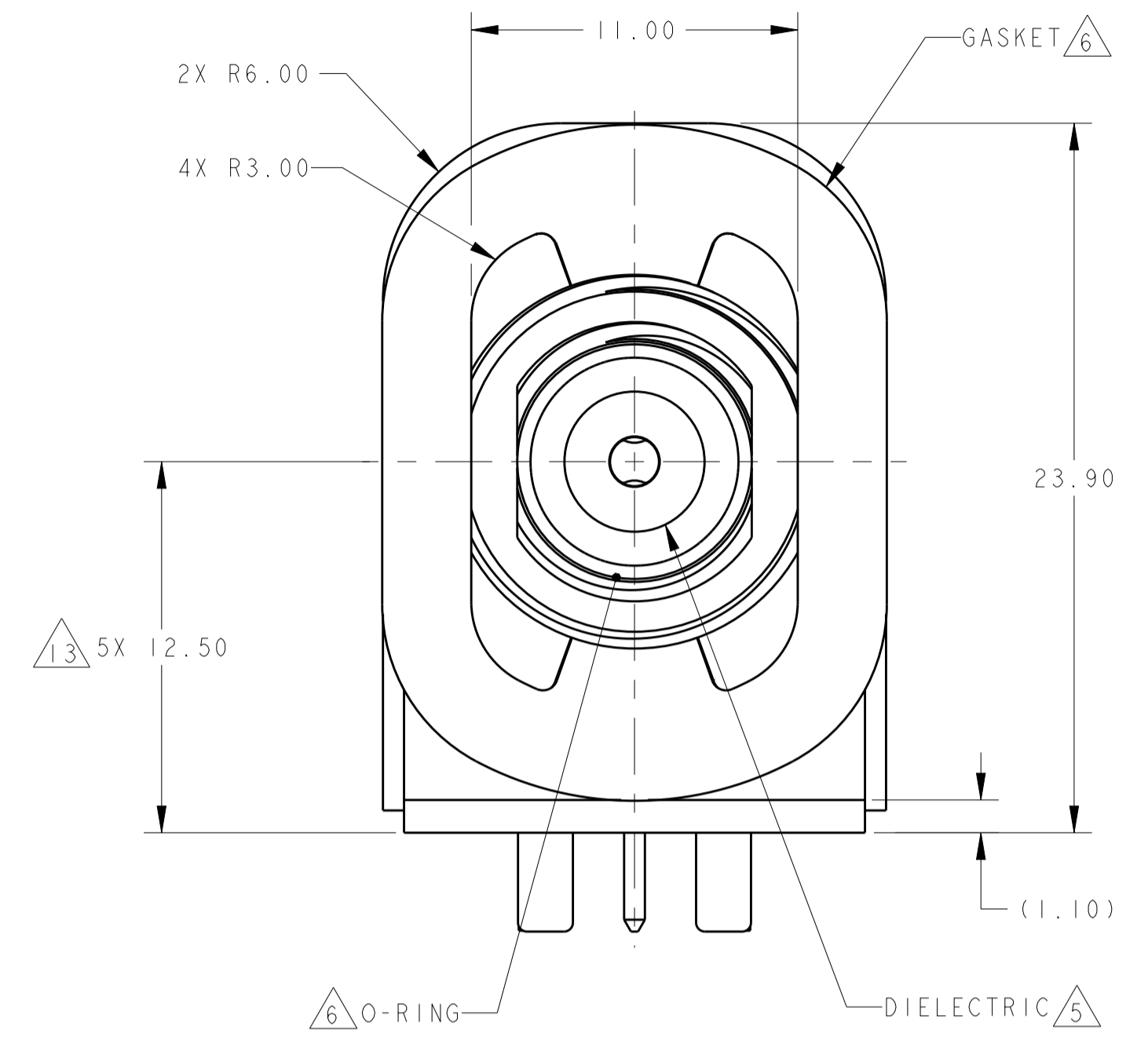


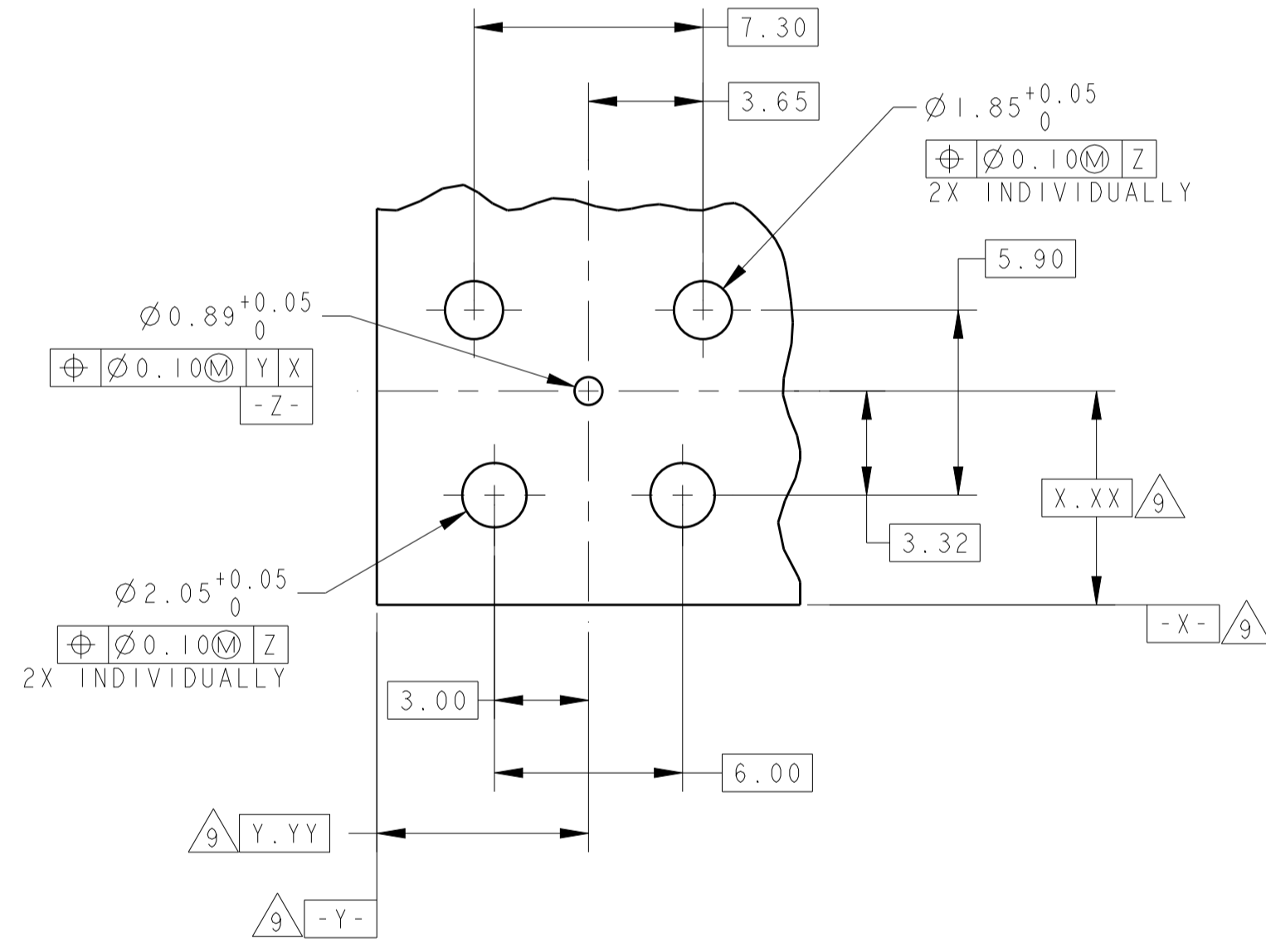
LOC	DIST	REV	DATE	BY	CHK	APPV
AJ	00					
		D1	21MAR12	RK	MY	
		D2	04DEC2012	BL	MY	



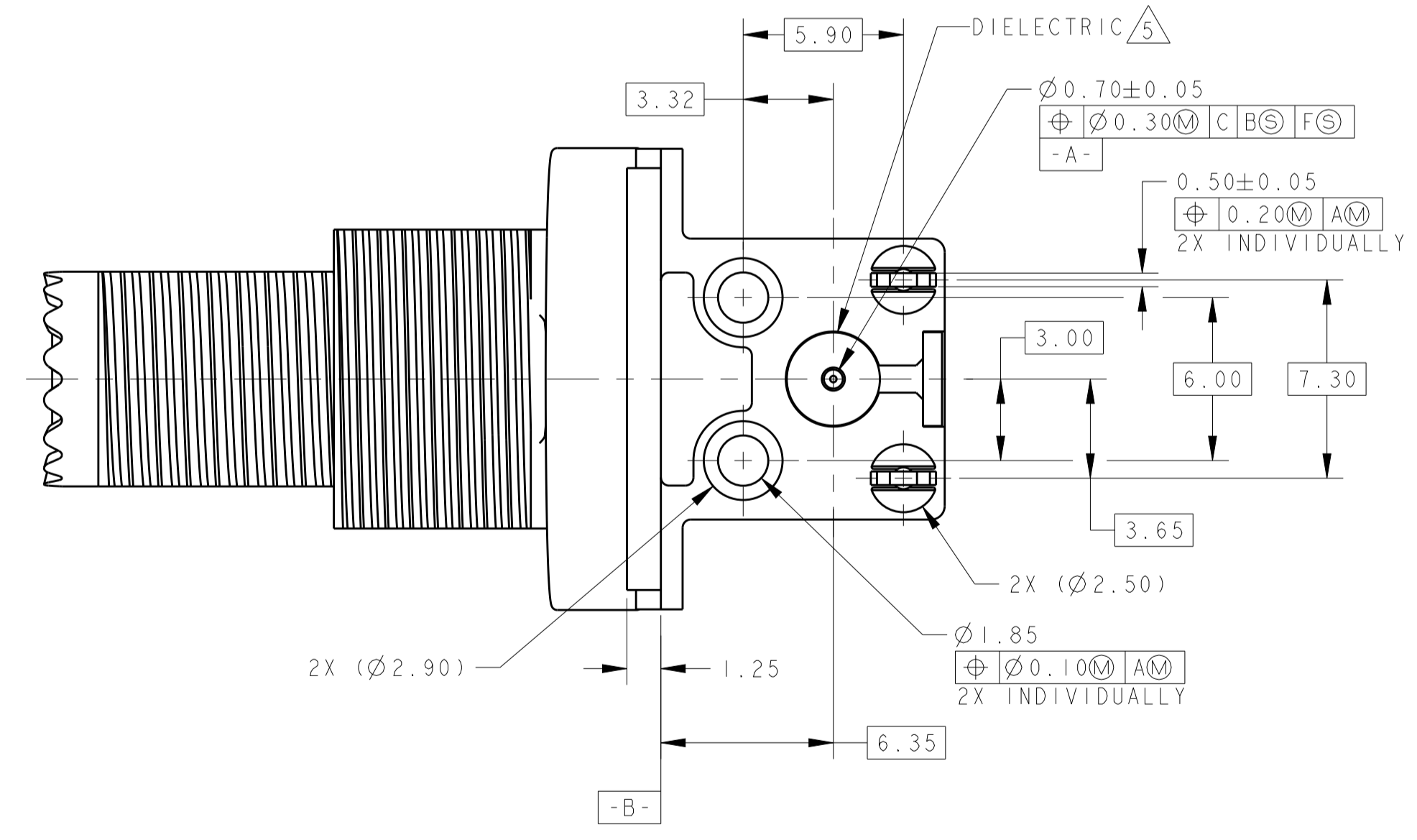
SCALE 2:1



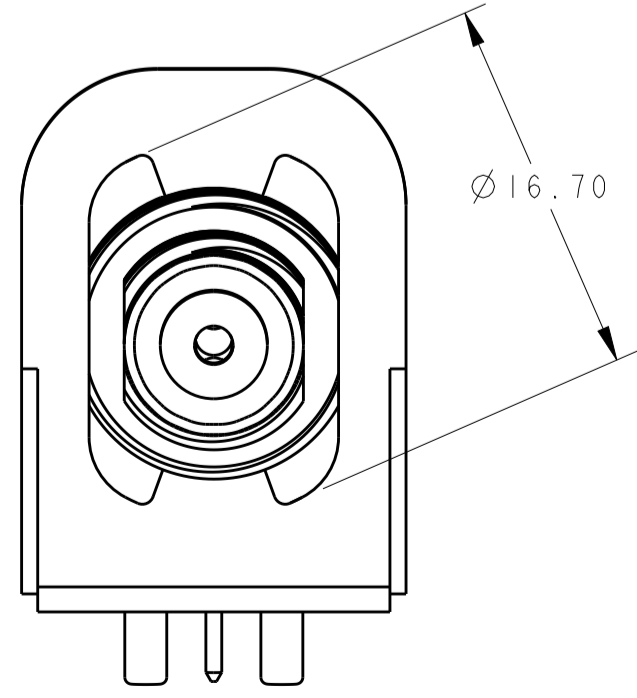
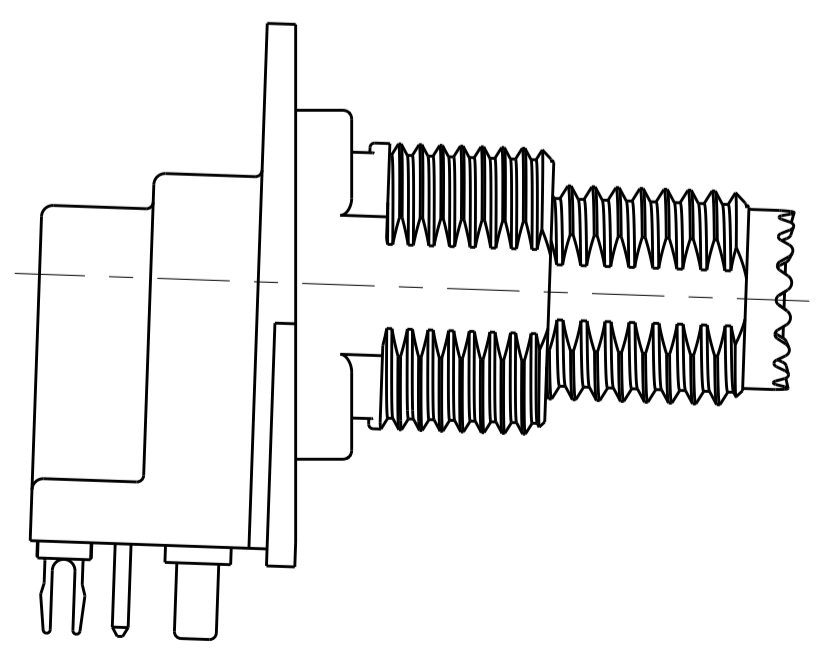
RECOMMENDED PANEL CUT-OUT SCALE 5:1



RECOMMENDED PCB LAYOUT SCALE 5:1



- 1 ZINC DIE CAST.
- 2 COPPER ALLOY.
- 3 BRASS OR ZINC DIE CAST.
- 4 BRASS.
- 5 PTFE.
- 6 SILICONE RUBBER.
- 7 TIN PLATE.
- 8 GOLD PLATE, 0.3µm MIN.
- 9 DIMENSIONS AND DATUMS ESTABLISHED BY CUSTOMER.
- 10 DIMENSION TAKEN AT INTERSECTION OF -C- AND -E-.
- 11 CONNECTOR DESIGNED TO ACCEPT A 1.42mm MIN THICK PRINTED CIRCUIT BOARD.
- 12 THIS PRODUCT SHALL MEET IP67 PROTECTION.
- 13 TO CENTER OF HOUSING ID.



VIEWS TILTED TO ORIENT THE 2° DRAFT VERTICALLY (GASKET OMITTED FROM VIEWS FOR CLARITY) SCALE 3:1

2016167-1 PART NUMBER

THIS DRAWING IS A CONTROLLED DOCUMENT.		OWN: FOLTZ 04MAR2010	TE Connectivity
DIMENSIONS: mm		CHK: J. ORNER 16MAR2010	
TOLERANCES UNLESS OTHERWISE SPECIFIED:		APPV: J. ORNER 16MAR2010	NAME: ASSEMBLY, JACK, RIGHT ANGLE, PCB, MINI UHF
0 PLC	±	PRODUCT SPEC	108-2440
1 PLC	±0.10	APPLICATION SPEC	
2 PLC	±	SIZE	CAGE CODE DRAWING NO
3 PLC	±	WEIGHT	A100779C=2016167
4 PLC	±	CUSTOMER DRAWING	SCALE 5:1 SHEET 1 OF 1 REV D2
ANGLES	±1°		