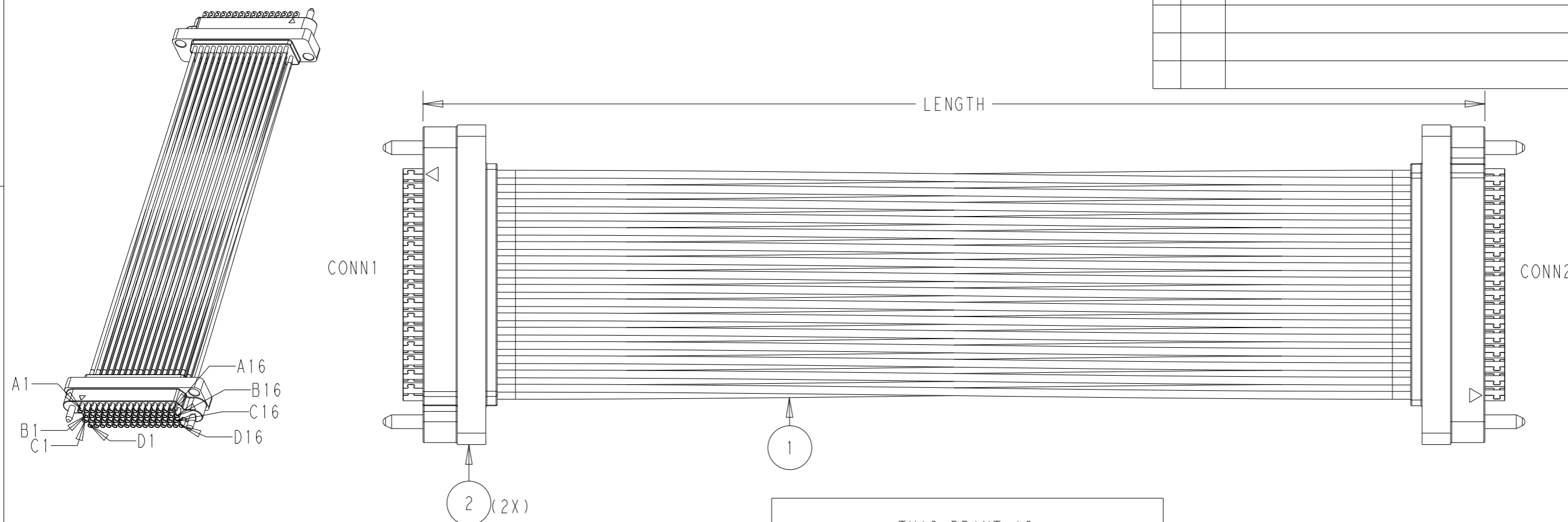


P	LTR	DESCRIPTION	DATE	DWN	APVD
	1	INITIAL CREATED	10MAY2022	CL	WH



THIS PRINT IS
PRELIMINARY
 UNQUALIFIED PRODUCT
 CONTACT PRODUCT ENGINEERING
 BEFORE USING THIS PRINT

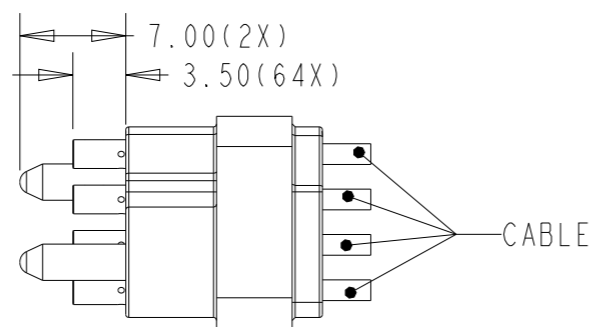
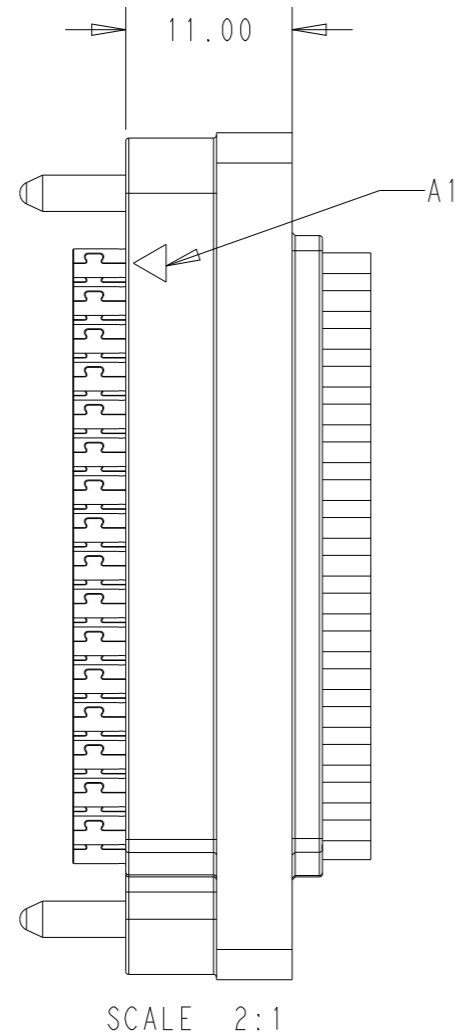
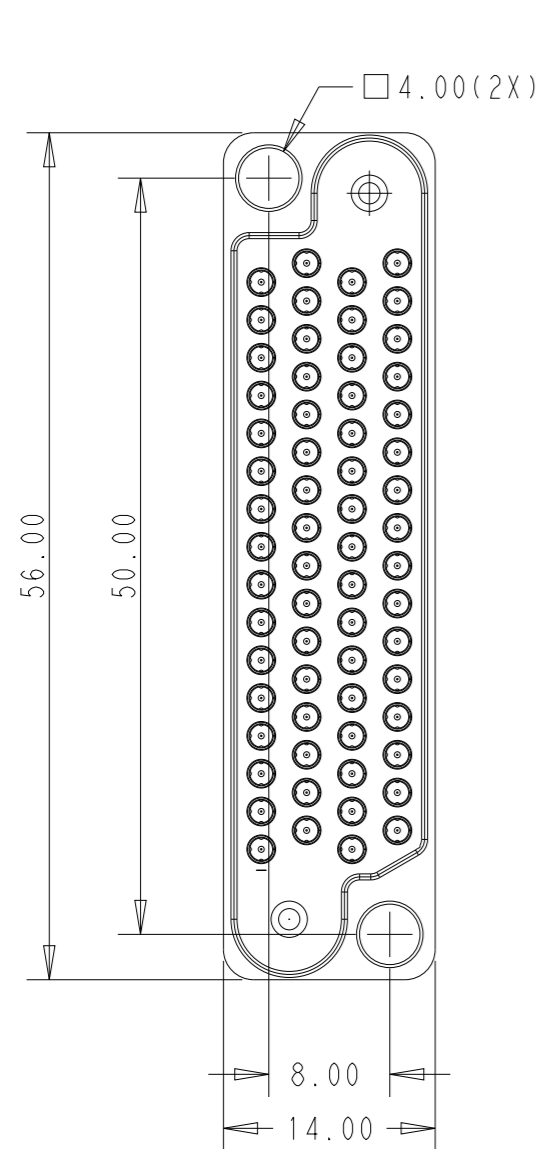
2-2016668-5	250±3	2016668-7	700±5
2-2016668-0	2000±8	2016668-6	600±5
1-2016668-5	1500±8	2016668-5	500±5
1-2016668-2	1200±8	2016668-4	400±3
1-2016668-0	1000±5	2016668-3	300±3
2016668-9	900±5	2016668-2	200±3
2016668-8	800±5	2016668-1	150±3
PART NUMBER	LENGTH	PART NUMBER	LENGTH

2	PC	MULTI-PORT, RF PLUG KIT	2
AR	MR	COAX-CABLE, OD1.37, BLACK	1
Q'TY	UNIT	DESCRIPTION	ITEM

- NOTES:
- MATERIAL AND PROCESSING MUST MEET REQUIREMENTS OF TEC-138-702
 - PRODUCT RATING:
 TEMPERATURE: -40°C TO +85°C
 VOLTAGE: 40V (RMS)
 CHARACTERISTIC IMPEDANCE: 50 OHMS NORMAL
 FREQUENCY RANGE: DC TO 3.2GHz
 BEND RADIUS: 5MM MIN(SINGLE CABLE)
 - CABLE ASSEMBLY TO BE 100% CONTINUITY, OPEN AND SHORT TEST
 HI-POT: 270V AC RMS
 - CABLE ASSEMBLY SHALL BE 100% SI TEST
 - NO MISS PIN, NO CROOS CABLE, WIRING LIST FROM PAGE 2

THIS DRAWING IS A CONTROLLED DOCUMENT.		DWN 30MAR2020 Cedar Liu												
DIMENSIONS: mm		CHK 30MAR2020 Cedar Liu												
TOLERANCES UNLESS OTHERWISE SPECIFIED:		APVD 10MAY2022 Wenke He												
<table border="0"> <tr> <td>0 PLC</td> <td>±-</td> </tr> <tr> <td>1 PLC</td> <td>±0.1</td> </tr> <tr> <td>2 PLC</td> <td>±0.01</td> </tr> <tr> <td>3 PLC</td> <td>±0.001</td> </tr> <tr> <td>4 PLC</td> <td>±0.0001</td> </tr> <tr> <td>ANGLES</td> <td>±-</td> </tr> </table>		0 PLC		±-	1 PLC	±0.1	2 PLC	±0.01	3 PLC	±0.001	4 PLC	±0.0001	ANGLES	±-
0 PLC	±-													
1 PLC	±0.1													
2 PLC	±0.01													
3 PLC	±0.001													
4 PLC	±0.0001													
ANGLES	±-													
MATERIAL TBD	FINISH -	PRODUCT SPEC -	SIZE A3											
		APPLICATION SPEC -	CAGE CODE 00779											
		WEIGHT -	DRAWING NO C-2016668											
		CUSTOMER DRAWING	RESTRICTED TO -											
			SCALE 1:2											
			SHEET 1 OF 2											
			REV 2											


P	LTR	DESCRIPTION	DATE	DWN	APVD
		SEE SHEET 1			



SCALE 2:1

5 WIRING LIST

CONN1	CONN2	CONN1	CONN2	CONN1	CONN2	CONN1	CONN2
A1	A16	B1	B16	C1	C16	D1	D16
A2	A15	B2	B15	C2	C15	D2	D15
A3	A14	B3	B14	C3	C14	D3	D14
A4	A13	B4	B13	C4	C13	D4	D13
A5	A12	B5	B12	C5	C12	D5	D12
A6	A11	B6	B11	C6	C11	D6	D11
A7	A10	B7	B10	C7	C10	D7	D10
A8	A9	B8	B9	C8	C9	D8	D9
A9	A8	B9	B8	C9	C8	D9	D8
A10	A7	B10	B7	C10	C7	D10	D7
A11	A6	B11	B6	C11	C6	D11	D6
A12	A5	B12	B5	C12	C5	D12	D5
A13	A4	B13	B4	C13	C4	D13	D4
A14	A3	B14	B3	C14	C3	D14	D3
A15	A2	B15	B2	C15	C2	D15	D2
A16	A1	B16	B1	C16	C1	D16	D1
GND	GND	GND	GND	GND	GND	GND	GND

THIS DRAWING IS A CONTROLLED DOCUMENT.		DWN 30MAR2020 Cedar Liu	 TE Connectivity	
DIMENSIONS: mm		CHK 30MAR2020 Cedar Liu		
TOLERANCES UNLESS OTHERWISE SPECIFIED:		APVD 10MAY2022 Wenke He	NAME MULT-PORTS RF CA, 64CHANNELS UP TO 3.2GHz	
0 PLC ±- 1 PLC ±0.1 2 PLC ±0.01 3 PLC ±0.001 4 PLC ±0.0001 ANGLES ±-		PRODUCT SPEC	-	
MATERIAL TBD		APPLICATION SPEC	-	
FINISH -		WEIGHT -	SIZE A3	RESTRICTED TO -
finish_spec_2		CUSTOMER DRAWING	CAGE CODE 00779	DRAWING NO C-2016668
		SCALE 1:2	SHEET 2 OF 2	REV 2