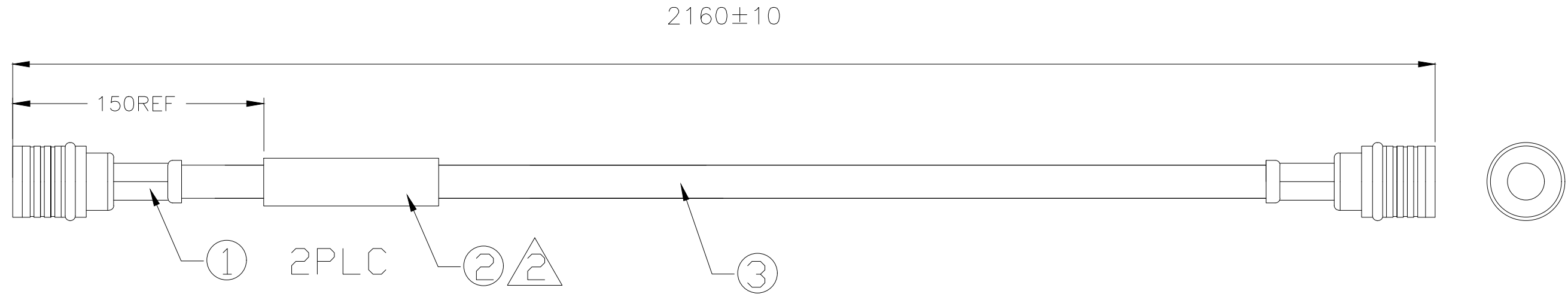


REVISIONS

P	LTR	DESCRIPTION	DATE	DWN	APVD
	B1	ECR-20-011770	21AUG2021	CL	RS



NOTES:

- 1. 100% OPEN, SHORT & MIS-WIRE TEST :
 HI-POT : 630VDC, 0.1 SEC
 CONDUCTOR RESISTANCE :2.0 OHM MAX
 INSULATION RESISTANCE : 10M OHMS
- △ LABEL INFORMATION

PRODUCT AND PROCESSING MUST MEET REQUIREMENTS OF TE ELECTRONICS STANDARD TEC-138-702.

AH337-2010A
 REV A1
 TE DG YYWW
 MADE IN CHINA

YY-YEAR
 WW-WEEK

△ INDIVIDUAL PACK: 1 EACH OF 2024025-1 PER BOX.
 LABEL ON BOX WITH TEXT PER BELOW NOTE:

HP P/N AH337-67016
 Assy P/N AH337-2010A
 TE DG YYWW
 MADE IN CHINA

QTY	UNIT	PC	DESCRIPTION	ITEM
1	-	PC	-1 Cable Assembly	3
-	2.16	M	RG58 CABLE	3
-	1	PC	LABEL	2
-	2	PC	QMA ST PLUG	1
5-1	-1	U/M	DESCRIPTION	ITEM

THIS DRAWING IS A CONTROLLED DOCUMENT.		DWN ChenPing 16JAN08	TE Connectivity		
		CHK Lessie Zhang 16JAN08			
		APVD Ngo Anthony 16JAN08	NAME RF CABLE ASSEMBLY		
DIMENSIONS: mm [INCHES]		TOLERANCES UNLESS OTHERWISE SPECIFIED:		PRODUCT SPEC	
		0 PLC	± -	APPLICATION SPEC	
		1 PLC	± -	-	
		2 PLC	± -	-	
		3 PLC	± -	-	
		4 PLC	± -	SIZE	
		ANGLES	± -	CAGE CODE	
MATERIAL		FINISH	DRAWING NO		RESTRICTED TO
-		-	G-2024025		-
CUSTOMER DRAWING			WEIGHT	SCALE	SHEET
			0.000000	N.T.S.	1 OF 1
			REV		B1