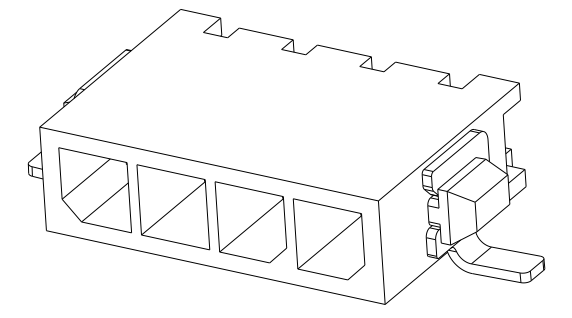
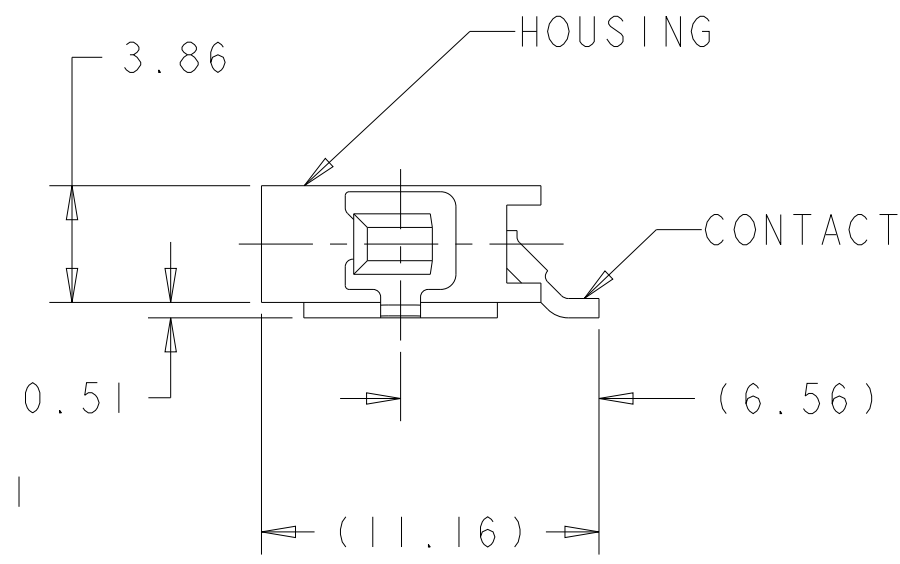
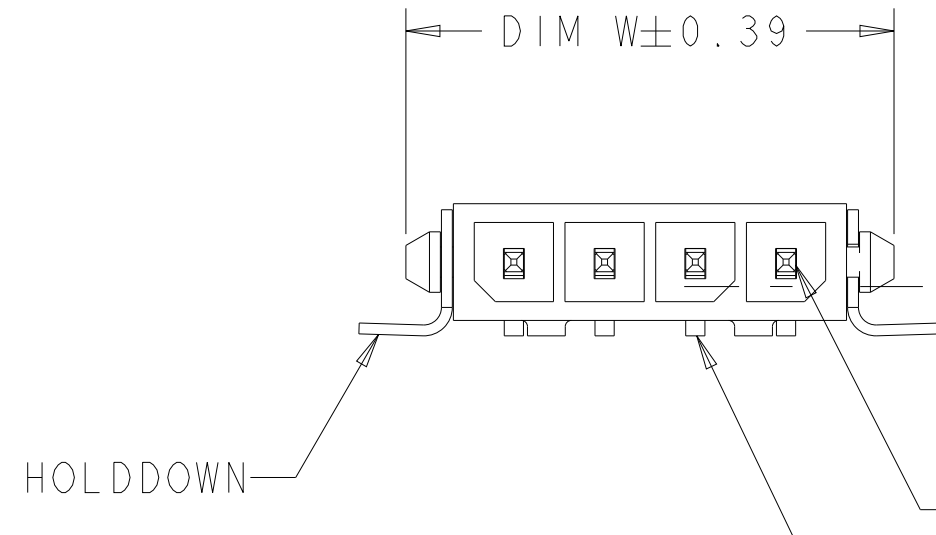


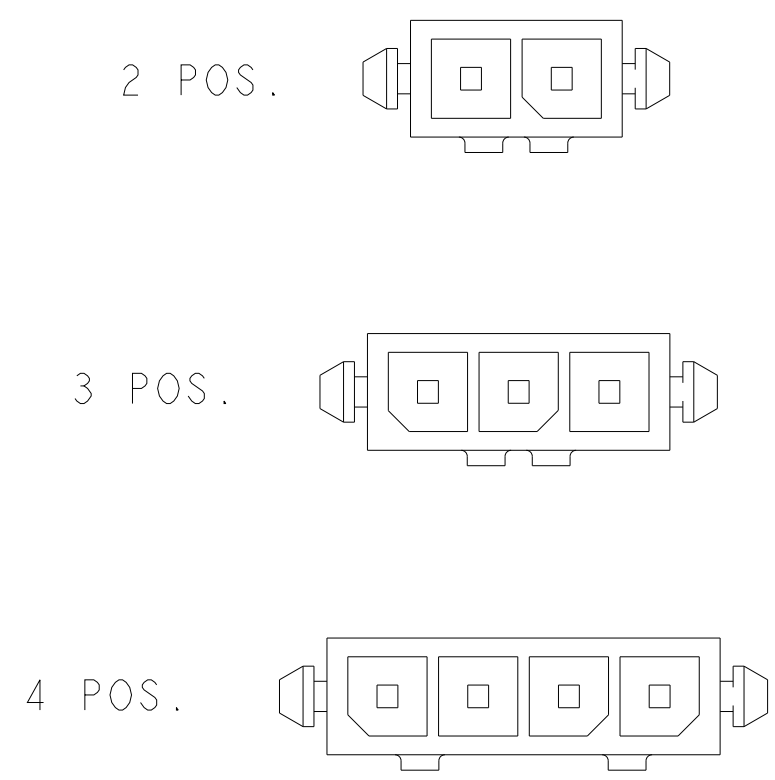
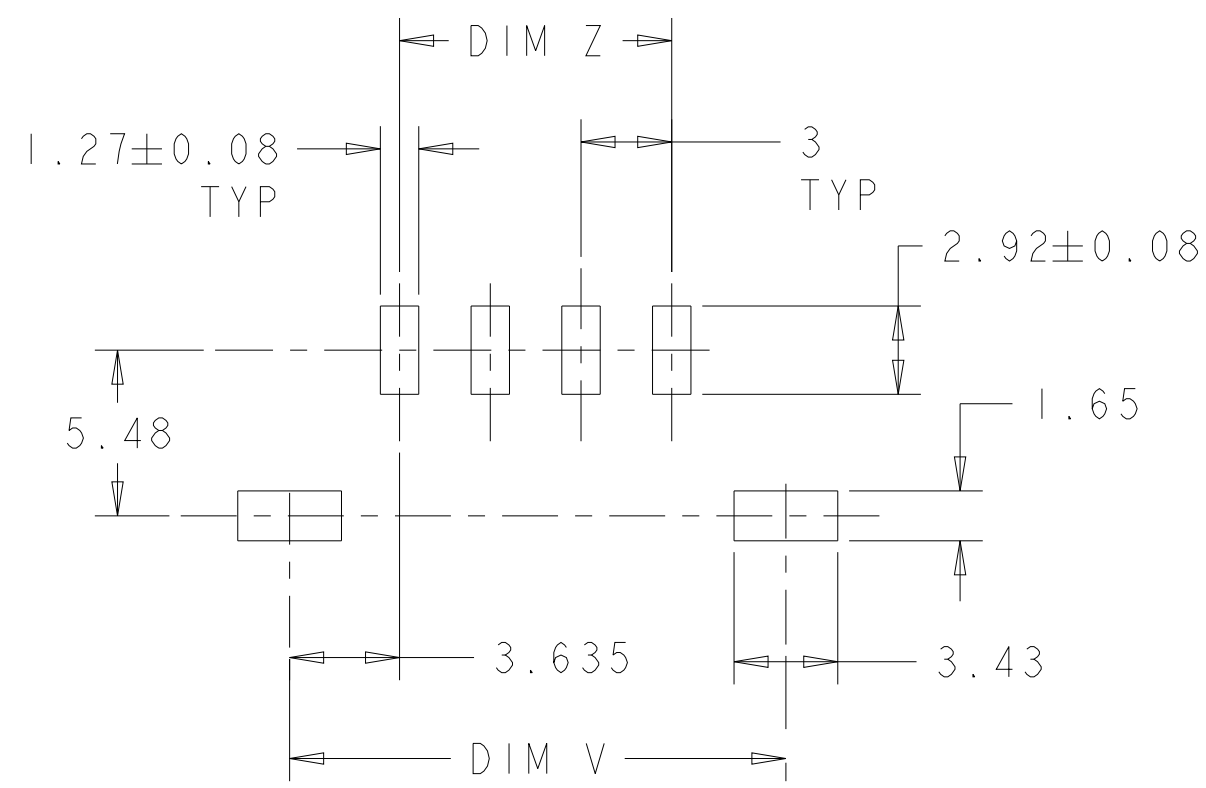
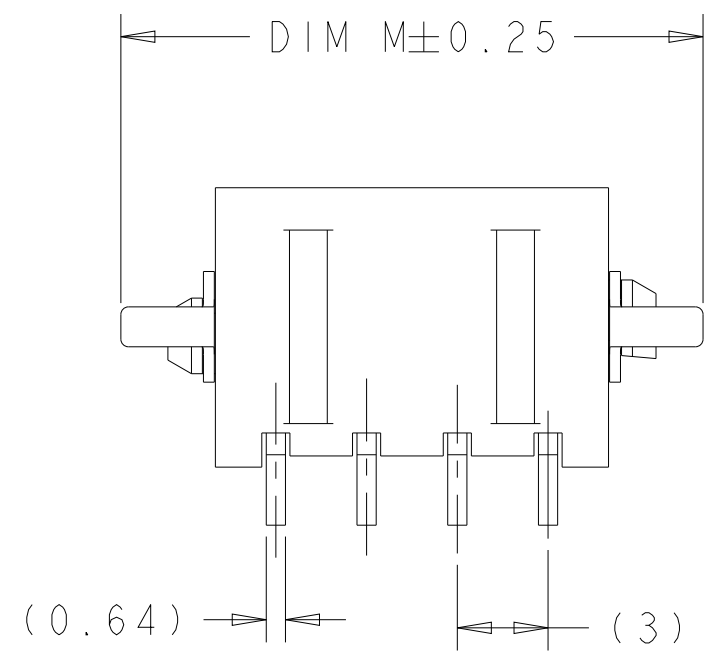
THIS DRAWING IS UNPUBLISHED. RELEASED FOR PUBLICATION 20
 © COPYRIGHT 20 BY - ALL RIGHTS RESERVED.

LOC	DIST	REVISIONS					
CM	00	P	LTR	DESCRIPTION	DATE	DWN	APVD
		B1		REVISED PER ECO-11-005027	14MAR2011	RK	HMR
		B2		ECO-19-006934	13MAY2019	AP	WLS
		B3		REVISED PER ECN-23-198901	23FEB2023	WLS	VS



0.15
 INCLUDES CONTACT TAILS,
 HOUSING STANDOFFS,
 AND BOARDLOCKS.

- 1 MATERIAL: HOUSING - UL 94V-0 RATED HIGH TEMP NYLON, COLOR NATURAL.
 CONTACTS - BRASS.
 HOLDDOWNS - PHOSPHOR BRONZE.
- 2 PLATING: CONTACTS - 2.54µm MINIMUM TIN OVER 1.27µm MINIMUM NICKEL.
 HOLDDOWNS - 2.54µm MINIMUM TIN OVER 1.27µm MINIMUM NICKEL.
- 3 RECOMMENDED PC BOARD THICKNESS OF 1.57.



KEYING BY POSITION SIZE

PCB LAYOUT COMPONENT SIDE 3

19.25	9	16	16.27	4	2029104-4
16.25	6	13	13.27	3	2029104-3
13.25	3	10	10.27	2	2029104-2
DIM M	DIM Z	DIM W	DIM V	NO. OF POSN	PART NUMBER

THIS DRAWING IS A CONTROLLED DOCUMENT.

DWN	K. WHITAKER	24MAR2008	TE Connectivity	NAME RT ANG SURF MNT HDR ASSY, SGL LATCH, TIN POSTS, SURF MOUNT HOLDDOWNS, SINGLE ROW, MICRO MATE-N-LOK(TM)			
CHK	C. JONES	24MAR2008					
APVD	C. JONES	24MAR2008					
PRODUCT SPEC	108-1836						
APPLICATION SPEC	114-13000		SIZE	CAGE CODE	DRAWING NO	RESTRICTED TO	
MATERIAL	1	2	A2	00779	C-2029104	-	
WEIGHT	-		CUSTOMER DRAWING	SCALE	4:1	SHEET	1 OF 1
						REV	B3