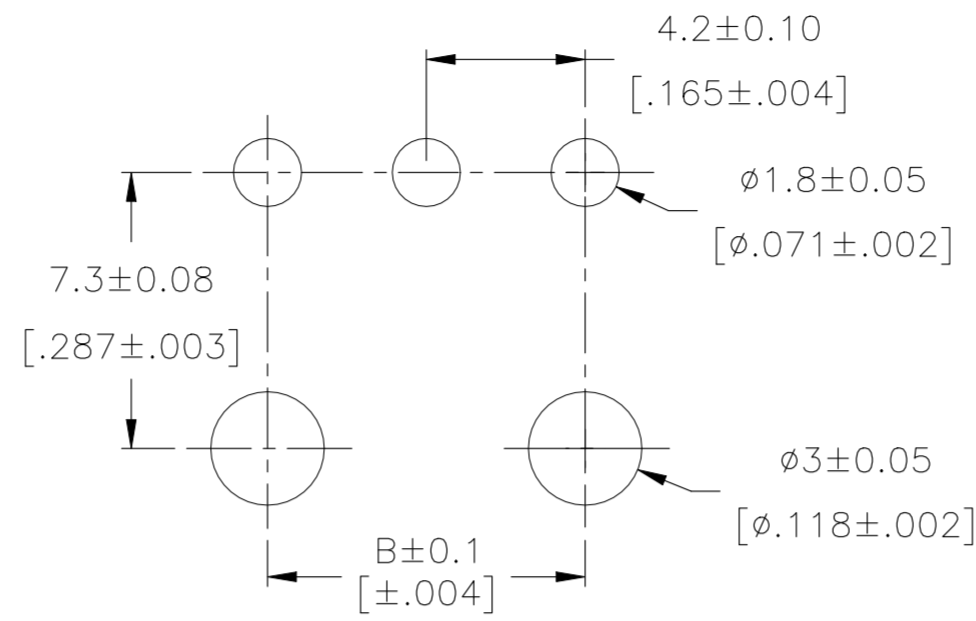
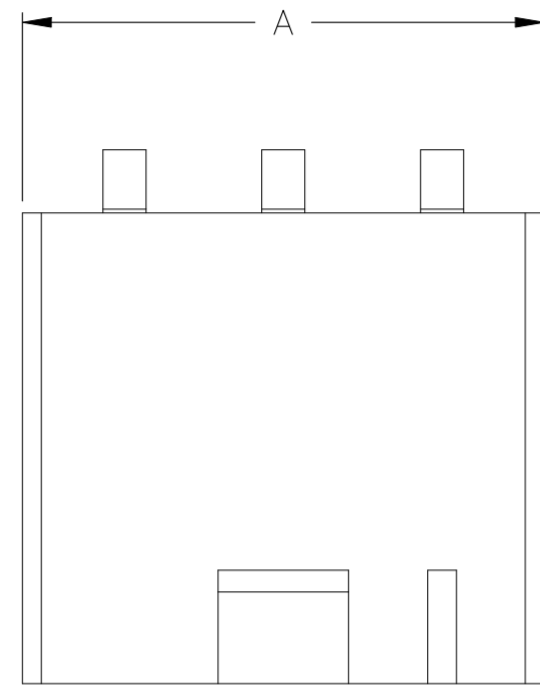
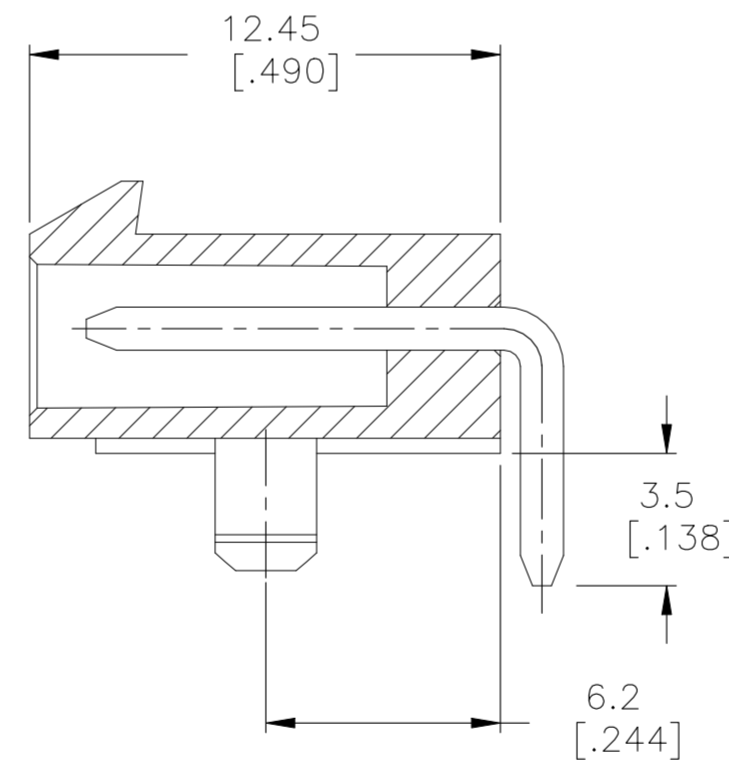
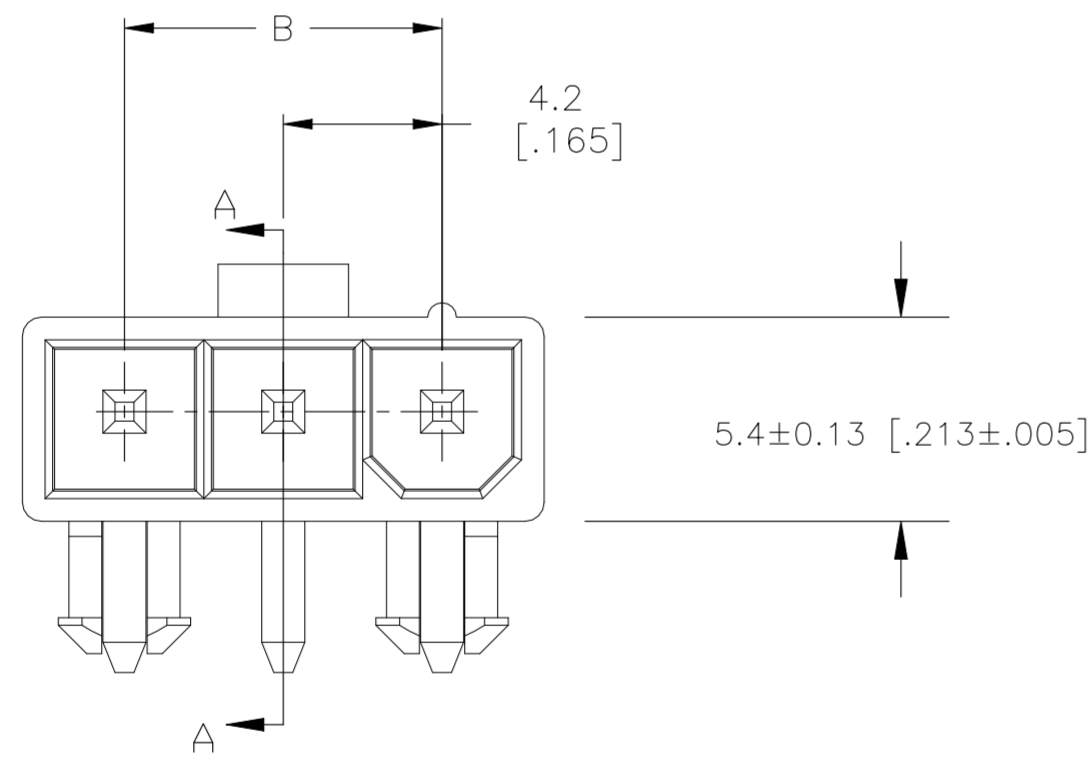
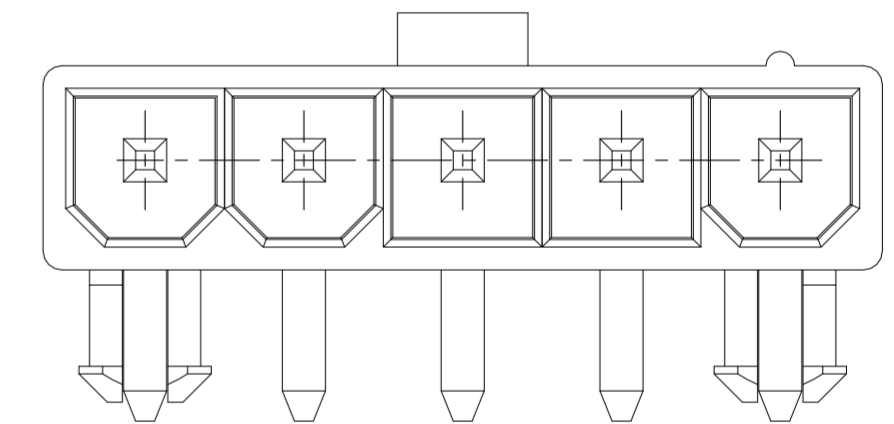
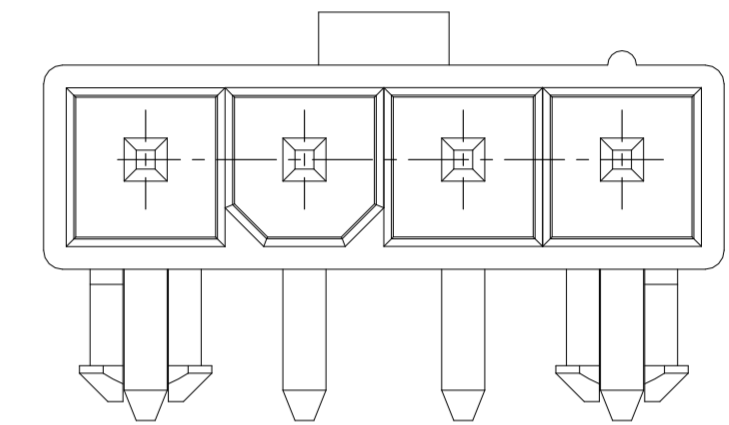


REVISIONS					
P	LTR	DESCRIPTION	DATE	DWN	APVD
B1		REVISED PER ECR-24-210580	07JUN2024	MV	CP



RECOMMENDED MOUNTING HOLE PATTERN FOR
1.78 [.070] MAX THK P.C. BOARD

1 MATERIAL: HOUSING: NYLON, UL94V-0
CONTACTS: BRASS, TIN-PLATED



2029151-3 SHOWN

5	16.8 [.661]	22.2 [.874]	2029151-5
4	12.6 [.496]	18 [.709]	2029151-4
3	8.4 [.330]	13.8 [.543]	2029151-3
POS	B	A	PART NUMBER

THIS DRAWING IS A CONTROLLED DOCUMENT.		DWN K. WHITAKER 14OCT2008	STE TE Connectivity	
DIMENSIONS: mm [INCHES]		CHK C. CASH 14OCT2008		
TOLERANCES UNLESS OTHERWISE SPECIFIED:		APVD C. CASH 14OCT2008	NAME RIGHT ANGLE HEADER, WITH PEGS, 94V-0, VAL-U-LOK(TM)	
0 PLC ±		PRODUCT SPEC	SIZE A2	CAGE CODE 00779
1 PLC ± 0.13 [.005]		APPLICATION SPEC	DRAWING NO C=2029151	RESTRICTED TO -
2 PLC ± 0.13 [.005]		WEIGHT	SCALE 5:1	SHEET 1 of 1
3 PLC ±		CUSTOMER DRAWING	REV B1	
4 PLC ±				
ANGLES ±				
FINISH				

METRIC